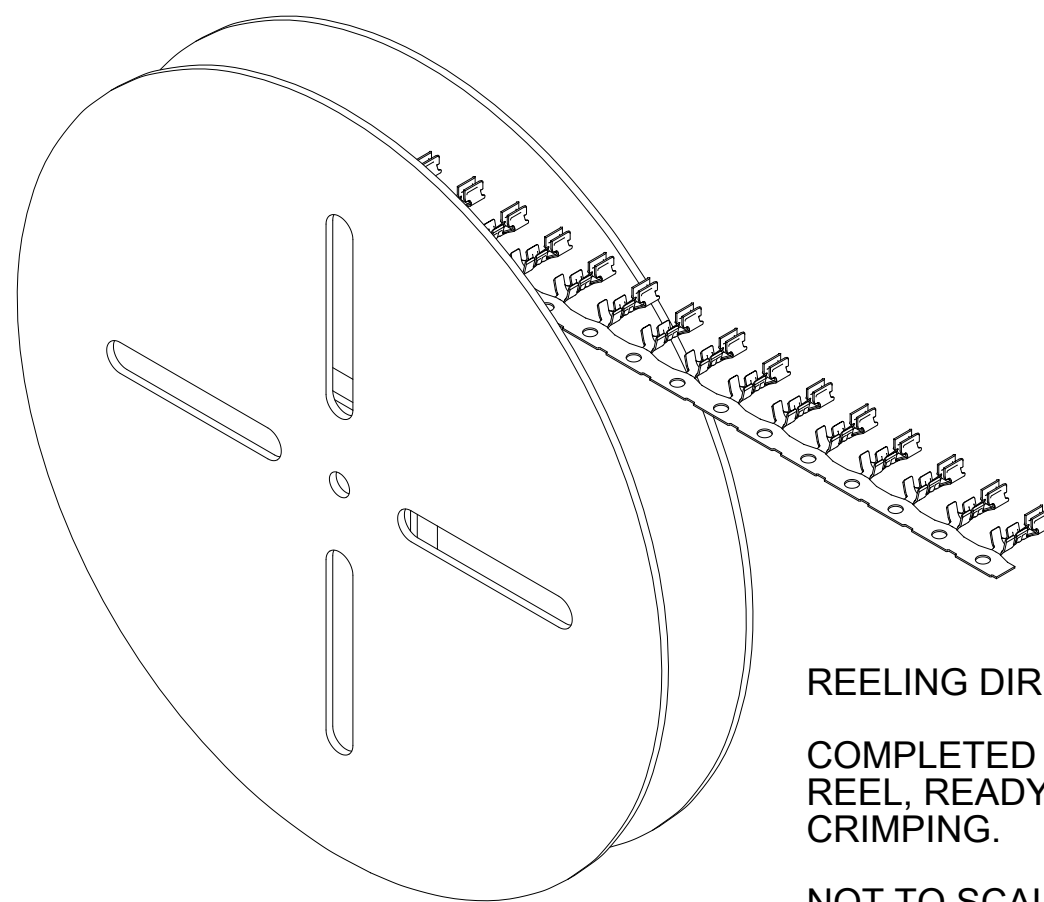
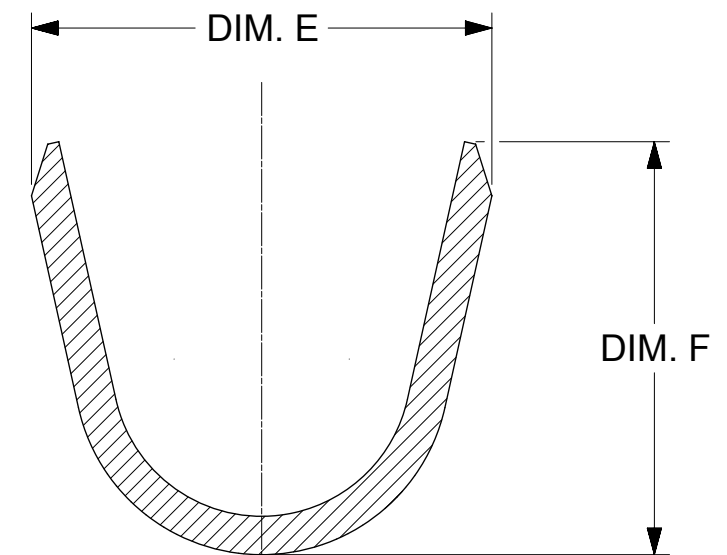
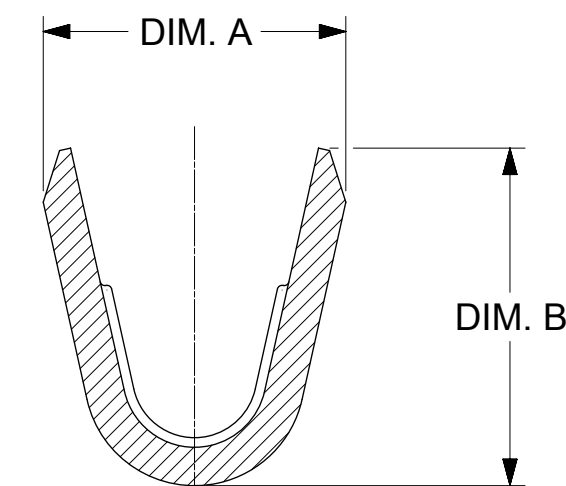
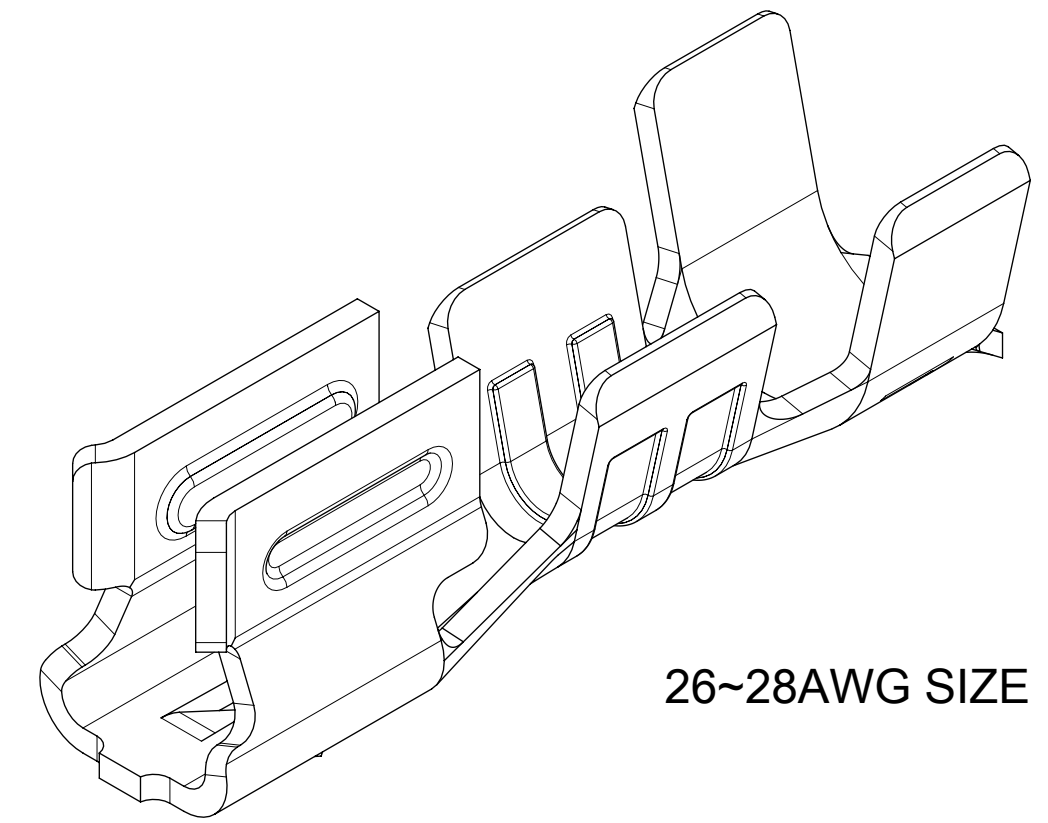
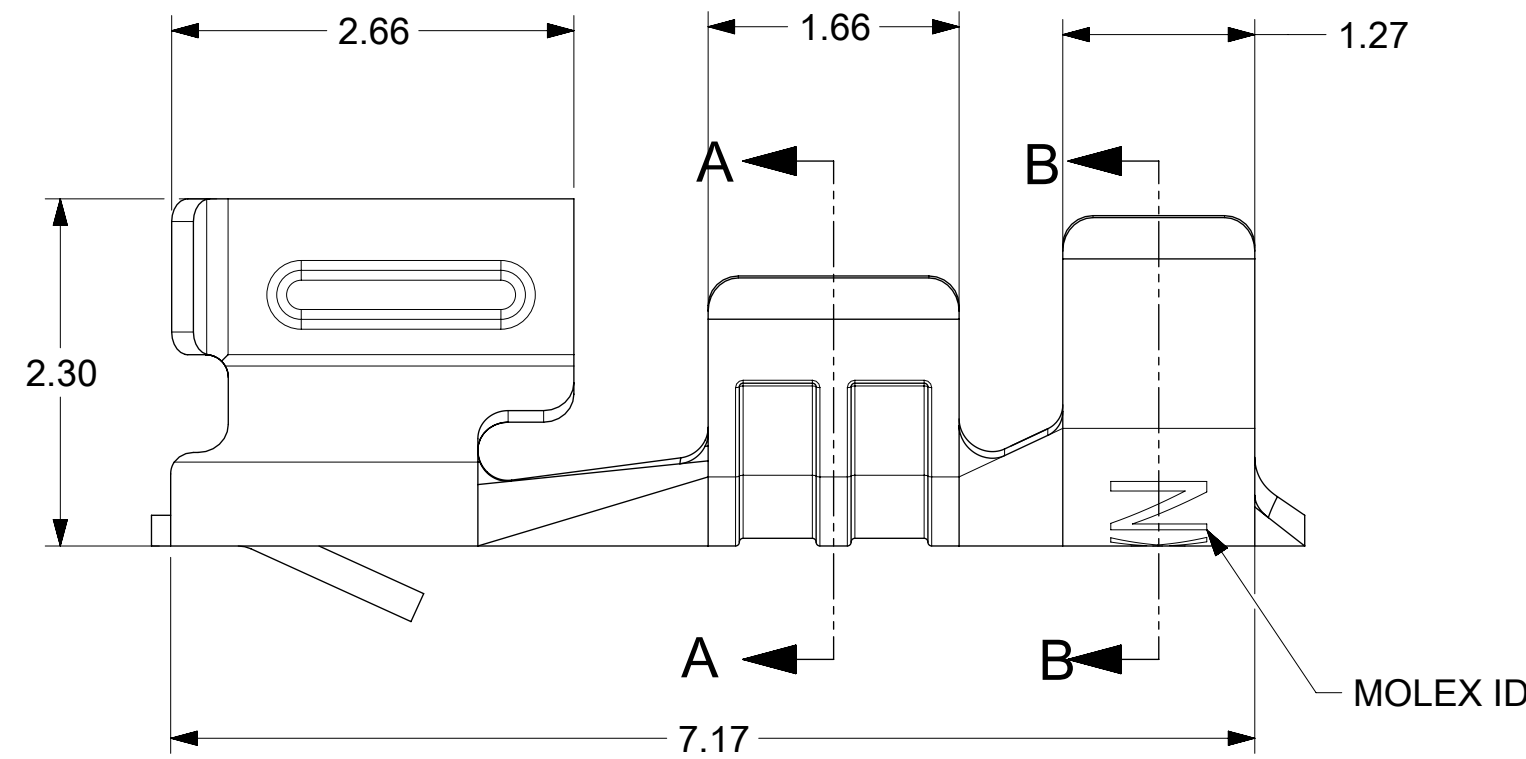
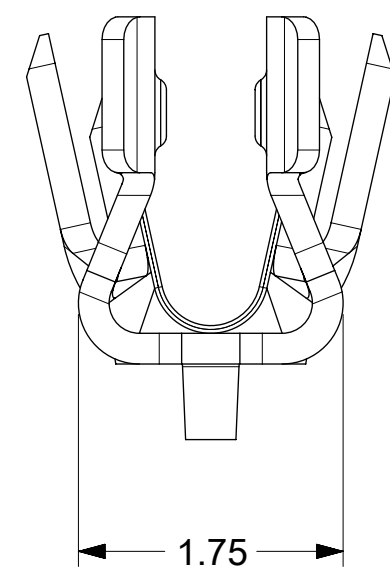
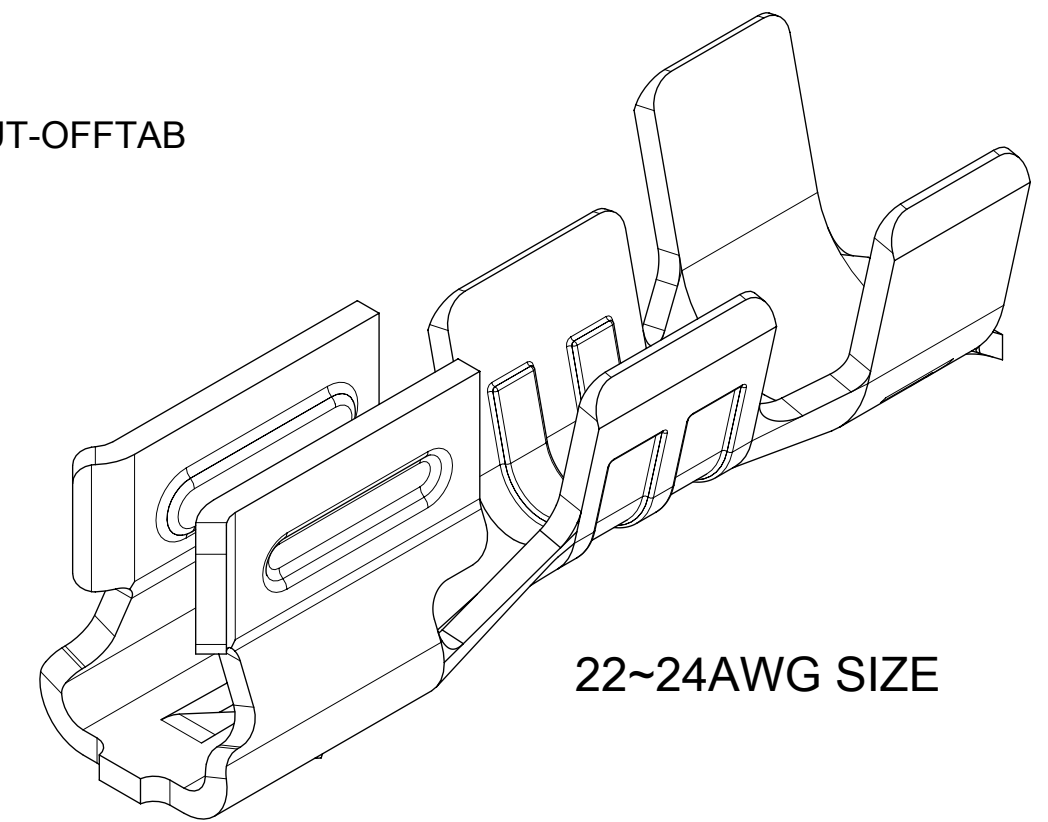
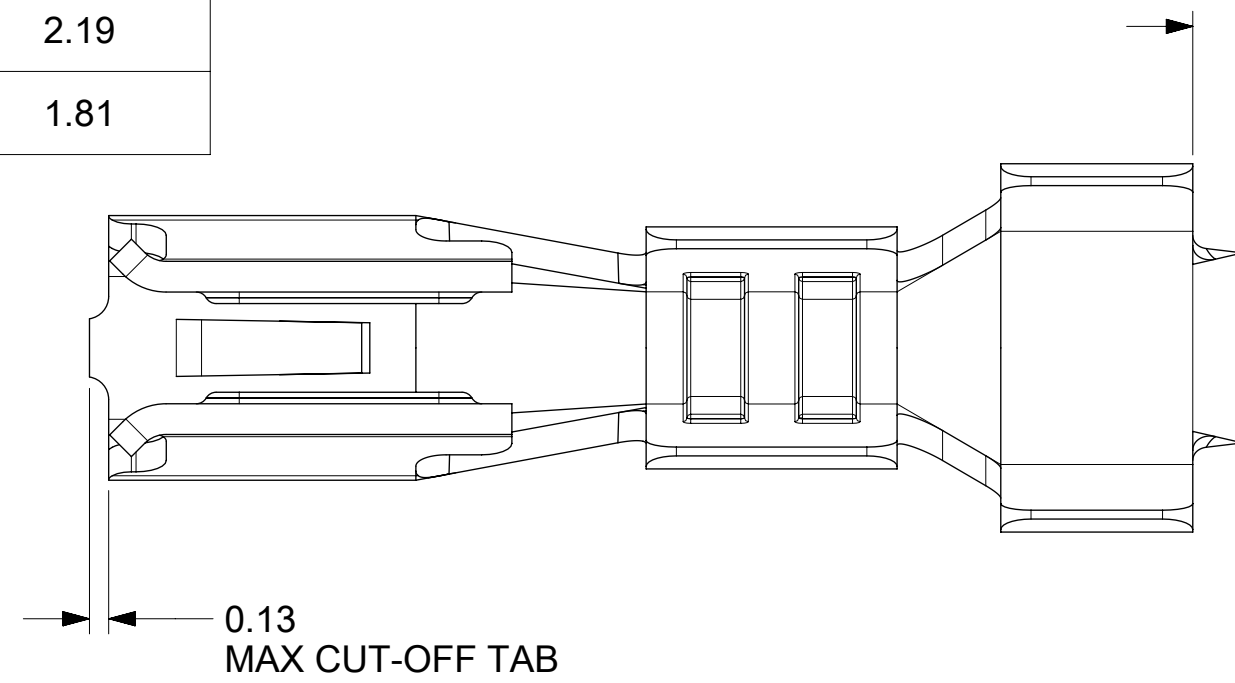


MATERIAL NUMBER	CRIMP SIZE (NOTE 8 & 9)	DIM. A ±0.3	DIM. B ±0.40	DIM. E±0.30	DIM. ±0.40
46626-1305	22-24 AWG	1.60	1.79	2.43	2.19
46626-1405	26-28 AWG	1.26	1.53	2.02	1.81

- NOTES:
- MATERIAL: COPPER ALLOY
  - FINISH: TIN OVER COPPER OVERALL, PRE - PLATED STRIP
  - PRODUCT SPECIFICATION: 2079020001-PS
  - PACKAGING INFORMATION: SEE REELING DIRECTION (THIS SHEET) AND PK-46626-001.
  - MATES WITH: 207843 HEADERS, AND 207844 MALE TERMINALS.
  - FOR USE WITH 207841 RECEPTACLE HOUSINGS.
  - THIS PART CONFORMS TO CLASS B REQUIREMENTS OF COSMETIC SPEC PS-45499-002.
  - 22~24AWG CRIMP SIZE IS SUITABLE FOR WIRE WITH A MAXIMUM INSULATION DIAMETER OF 1.6 / .06 (SUCH AS UL1007 OR 1061).
  - 26~28AWG CRIMP SIZE IS SUITABLE FOR WIRE WITH A MAXIMUM INSULATION DIAMETER OF 1.3 / .05 (SUCH AS UL1007 OR 1061).
  - DIMENSIONS GIVEN ACROSS CENTERLINES ARE SYMMETRICAL ABOUT THOSE CENTERLINES WITHIN HALF THE TOTAL TOLERANCE.



SYMBOLS		THIS DRAWING CONTAINS INFORMATION THAT IS PROPRIETARY TO MOLEX ELECTRONIC TECHNOLOGIES, LLC AND SHOULD NOT BE USED WITHOUT WRITTEN PERMISSION	
DIMENSION UNITS	SCALE	CURRENT REV DESC:	
▽ = 0	mm	1:1	
▽ = 0	GENERAL TOLERANCES (UNLESS SPECIFIED)		
▽ = 0	ANGULAR TOL ± °		
▽ = 0	4 PLACES	±	
▽ = 0	3 PLACES	±	
▽ = 0	2 PLACES	± 0.25	
▽ = 0	1 PLACE	± 0.3	
▽ = 0	0 PLACES	±	
▽ = 0	DRAFT WHERE APPLICABLE MUST REMAIN WITHIN DIMENSIONS		
▽ = 0	THIRD ANGLE PROJECTION	DRAWING	SERIES
		C-SIZE	46626
		EC NO: 706742	2022/04/20
		DRWN: SHRUTJ	2022/05/13
		CHK'D: SHRUTJ	2022/05/13
		APPR: ISHWARG	2022/05/13
		INITIAL REVISION:	
		DRWN: GJEEVANSURES	2018/09/18
		APPR: KPRASAD	2018/10/03
DOCUMENT NUMBER		DOC TYPE	DOC PART
466260002-SD		PSD	000
MATERIAL NUMBER		CUSTOMER	SHEET NUMBER
			1 OF 1

**molex**

FEMALE CRIMP TERMINAL FOR KK PLUS 250

PRODUCT CUSTOMER DRAWING