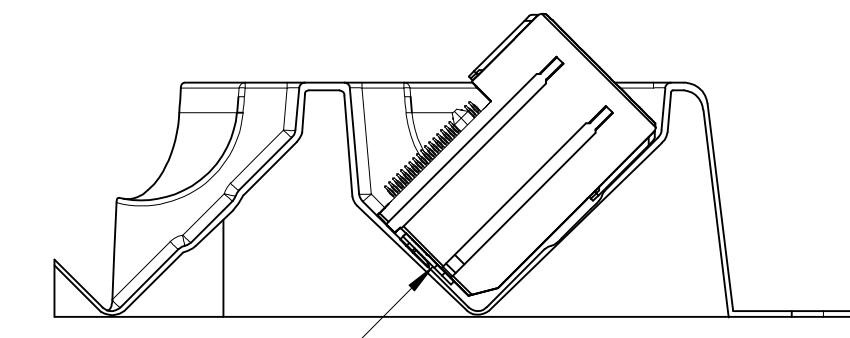


NOTES:

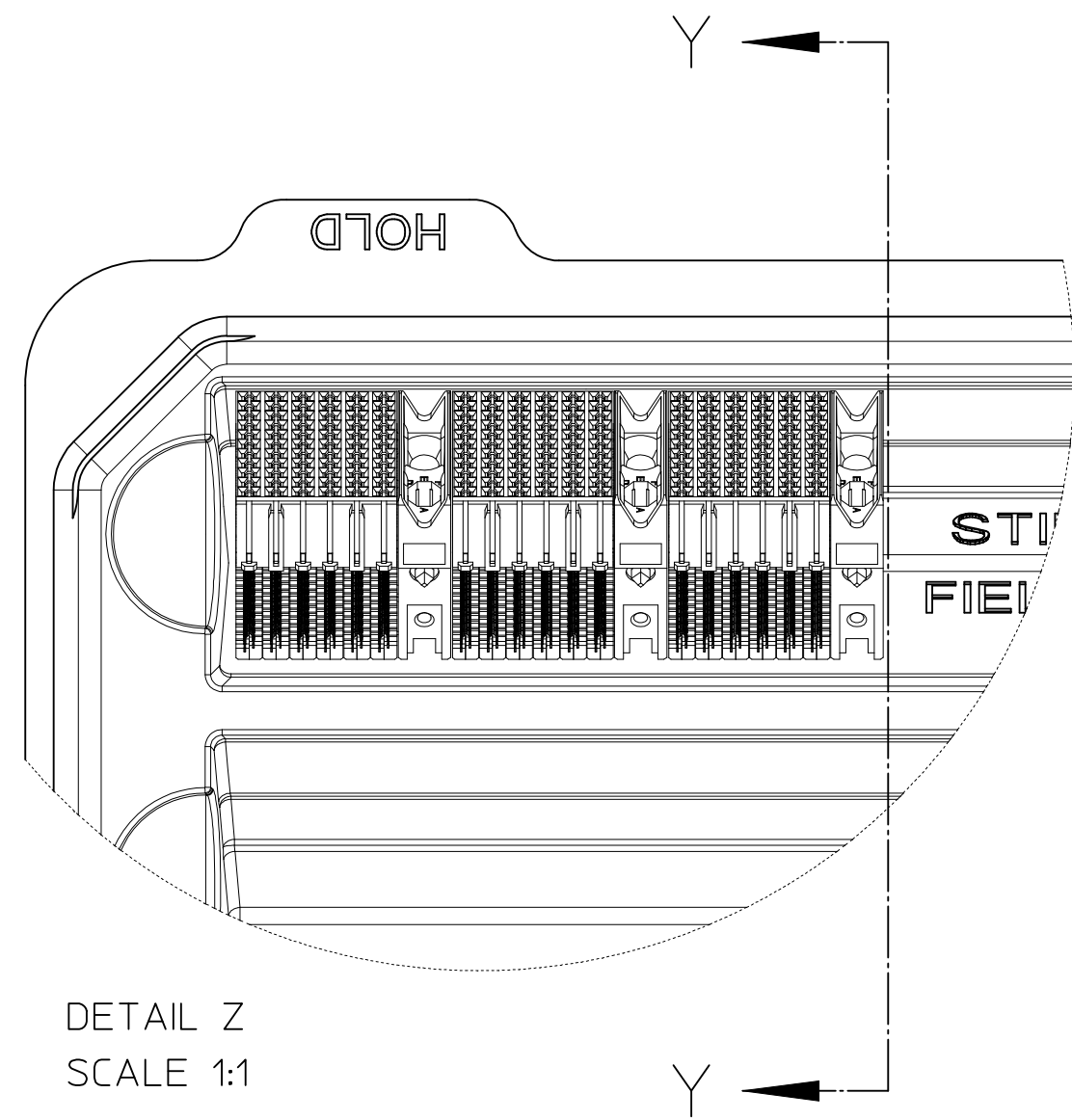
1. WHEN SHIPPING PARTIAL SHIPMENTS, DO THE FOLLOWING:
 - a. FILL ENTIRE CONNECTOR POCKET, NO PARTIAL CONNECTOR POCKETS ALLOWED.
 - b. FILL POCKETS IN MIDDLE OF TRAY FIRST, ANY EMPTY POCKETS SHOULD BE TO THE OUTSIDE OF THE TRAY.
2. TRAYS SNAP CLOSED IN 6 LOCATIONS: TWO MIDDLE AND FOUR CORNERS.
3. THREE POCKETS ARE USED FOR PACKAGING HARDWARE (WHEN REQUIRED).
4. ASSEMBLIES TO BE PLACED STIFFENER SIDE DOWN WITH COMPLIANT PINS POINTED IN DIRECTION AS NOTED.
5. WHEN OPENING TRAY, LOOSEN FOUR CORNERS AND THEN GRASP TRAY LID AND TRAY BASE ON SIDE OF TRAY WHERE NOTED AND PULL GENTLY APART.
6. USABLE CONNECTOR POCKET LENGTH: 304 mm.
7. SEE CHART FOR QUANTITY OF PARTS PER POCKET AND TRAY.

| SIGNAL MODULE DESCRIPTION | ASSEMBLIES PER POCKET | ASSEMBLIES PER TRAY |
|---------------------------|-----------------------|---------------------|
| 5 COLUMN - UNGUIDED | 16 | 96 |
| 5 COLUMN WITH GUIDE | 11 | 66 |
| 6 COLUMN - UNGUIDED | 13 | 78 |
| 6 COLUMN WITH GUIDE | 10 | 60 |
| 8 COLUMN - UNGUIDED | 10 | 60 |
| 8 COLUMN WITH GUIDE | 8 | 48 |
| 10 COLUMN - UNGUIDED | 8 | 48 |
| 10 COLUMN WITH GUIDE | 6 | 36 |



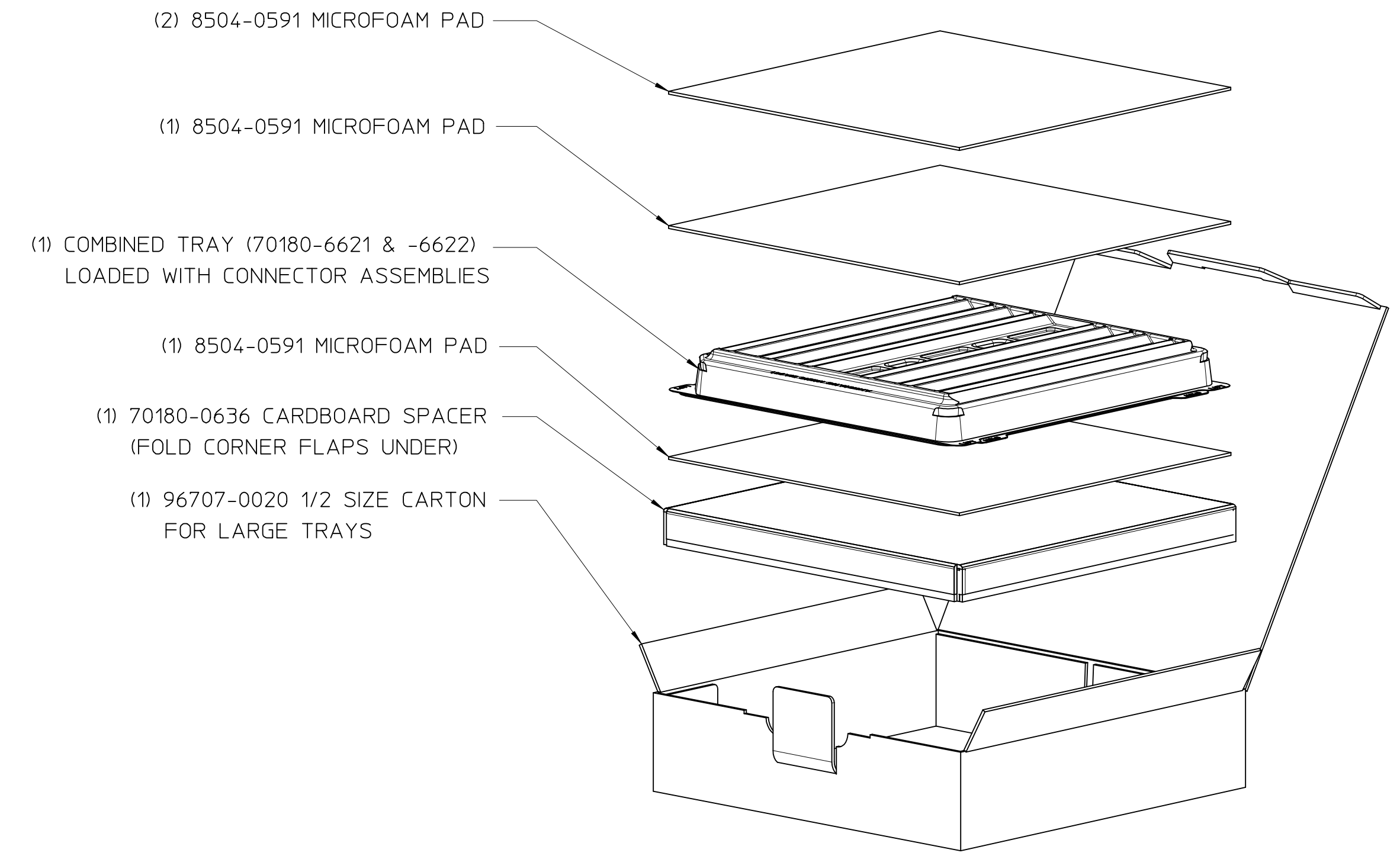
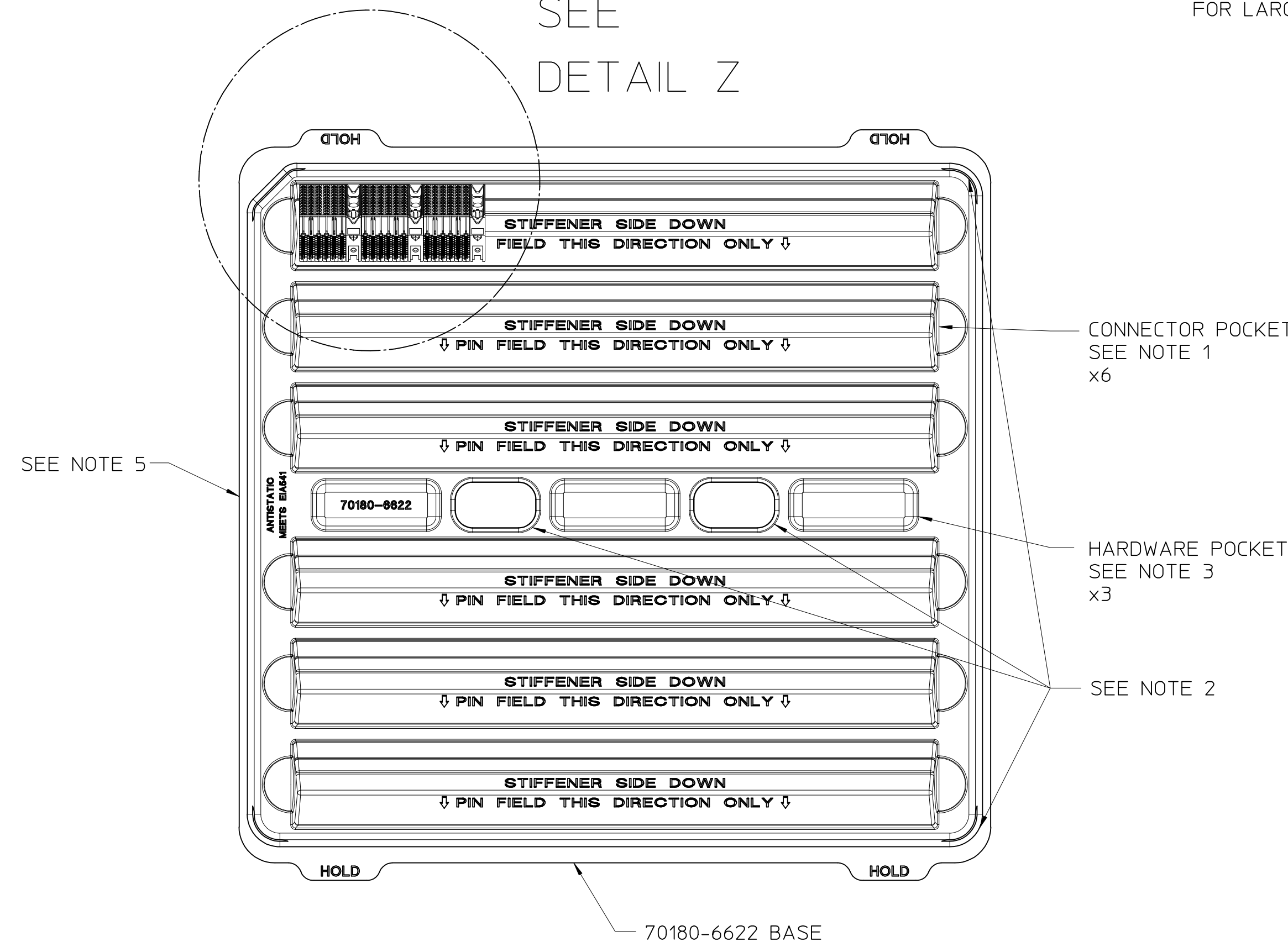
SEE NOTE 4

SECTION Y-Y
SCALE 1:1
(ROTATED 90°)

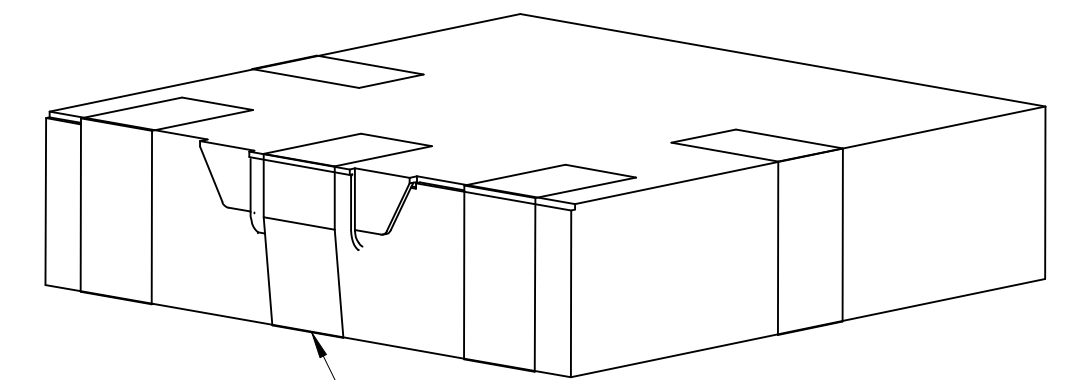


DETAIL Z
SCALE 1:1

SEE
DETAIL Z



- (2) 8504-0591 MICROFOAM PAD
- (1) 8504-0591 MICROFOAM PAD
- (1) COMBINED TRAY (70180-6621 & -6622) LOADED WITH CONNECTOR ASSEMBLIES
- (1) 8504-0591 MICROFOAM PAD
- (1) 70180-0636 CARDBOARD SPACER (FOLD CORNER FLAPS UNDER)
- (1) 96707-0020 1/2 SIZE CARTON FOR LARGE TRAYS



WHEN SHIPPING BOX, TAPE IN (5) LOCATIONS AS SHOWN.

| | | | | | | |
|---|-----------------|---------------------------------------|---|--------------------|--|------------------------------|
| REMOVE CHIPBOARD EC NO: UCP2011-2682 DRWN: WOLFE 2011/04/01 CHKD: SOANWELLY 2011/04/01 APPR: SMILLER 2011/04/20 | QUALITY SYMBOLS | GENERAL TOLERANCES (UNLESS SPECIFIED) | DIMENSION STYLE MM ONLY | SCALE 1:2 | DESIGN UNITS METRIC | THIRD ANGLE PROJECTION |
| | ▽=0 | 4 PLACES ± --- ± --- | DRAWN BY JLAURX | DATE 2006/11/16 | TITLE PACKAGING SPECIFICATION FOR I-TRAC 11 ROW DAUGHTERCARD ASSEMBLIES | |
| | ▽=0 | 3 PLACES ± --- ± --- | CHECKED BY JLAURX | DATE 2006/11/16 | MOLEX MOLEX INCORPORATED | |
| | ▽=0 | 2 PLACES ± --- ± --- | APPROVED BY CBIXLER | DATE 2006/11/16 | MATERIAL NO. 70873-6009 | DOCUMENT NO. PK-70873-609 |
| | | ANGULAR ± 5 ° | DRAFT WHERE APPLICABLE MUST REMAIN WITHIN DIMENSIONS | | | |
| | | | THIS DRAWING CONTAINS INFORMATION THAT IS PROPRIETARY TO MOLEX INCORPORATED AND SHOULD NOT BE USED WITHOUT WRITTEN PERMISSION | | | |