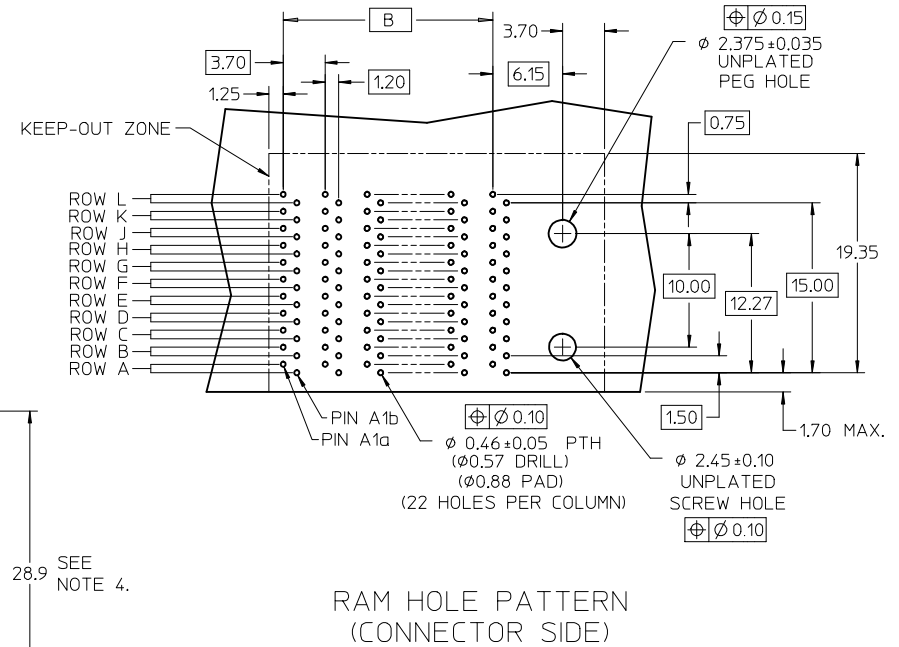
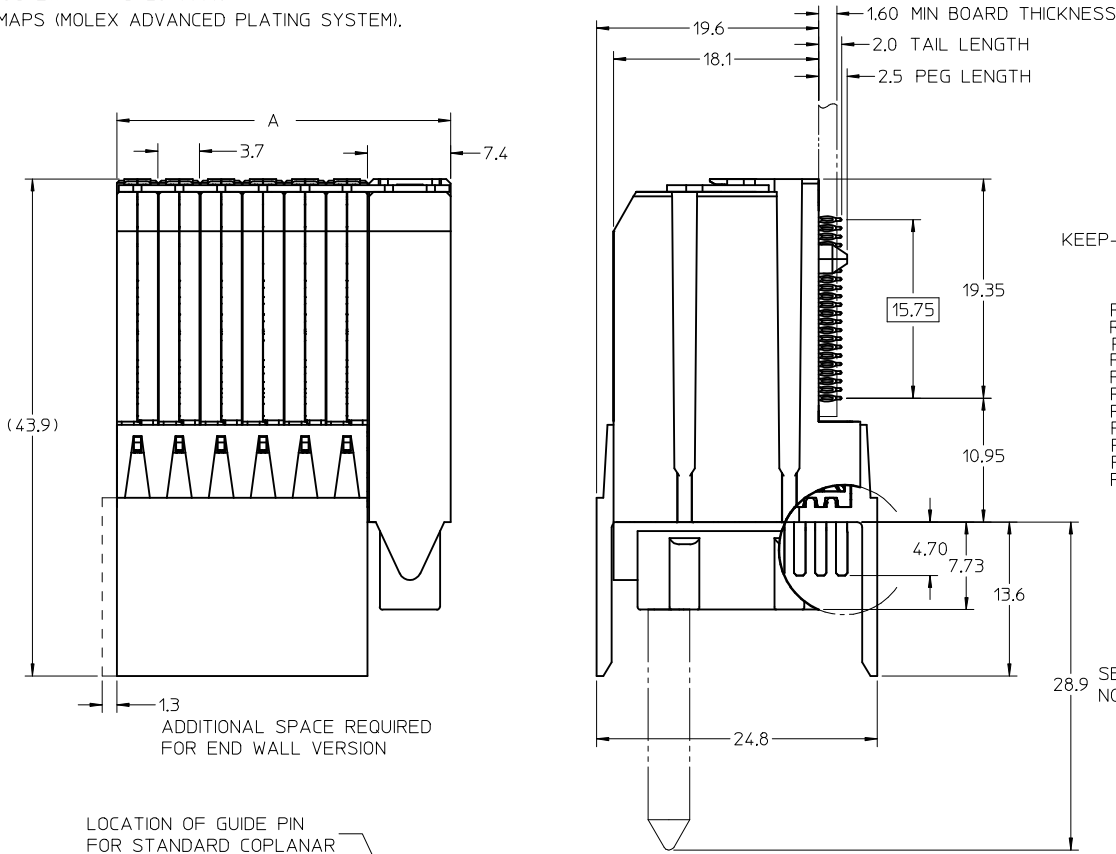


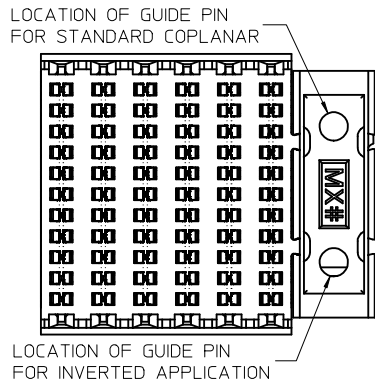
NOTES:

1. MATERIALS: HOUSING - LIQUID CRYSTAL POLYMER (LCP), BLACK, UL94V-0  
TERMINALS - HIGH PERFORMANCE COPPER ALLOY
2. FINISH: SELECTIVE GOLD IN CONTACT AREA.  
SELECTIVE MATTE TIN ON PCB TAILS. NICKEL OVERALL.
3. MOLEX PRODUCT SPECIFICATION: PS-75710-999.
4. OPTIONAL GUIDE PIN SHOWN IN COPLANAR LOCATION.
5. PACKAGED PER PK-70873-585.
6. THIS PART CONFORMS TO CLASS B REQUIREMENTS OF MOLEX COSMETIC SPEC PS-45499-002.
7. GUIDED PARTS TO BE SHIPPED WITH 2-32 TYPE AB SELF-TAPPING SCREW P/N 73726-0000.
8. MAPS (MOLEX ADVANCED PLATING SYSTEM).

MATERIAL NUMBER	# OF COLUMNS	DIM "A" MAX	DIM "B"
75910-*5**	5	25.9	14.80
75910-*6**	6	29.6	18.50
75910-*1**	10	44.4	33.30



RAM HOLE PATTERN (CONNECTOR SIDE)



(75910-\*\*\*3)  
(75910-\*\*\*7)

LEAD FREE CON./MAPS EC NO: UCP2013-4121 G	DRWN:RWHIPPLE 2013/04/01 CHKD:MWOLFE 2013/04/01 APPR:SMILLER 2013/07/15	DESCRIPTION	QUALITY SYMBOLS	GENERAL TOLERANCES (UNLESS SPECIFIED)		DIMENSION STYLE MM ONLY		SCALE 3:1	DESIGN UNITS METRIC	THIRD ANGLE PROJECTION
				mm	INCH	DRAWN BY ELO	DATE 2006/06/19	TITLE I-TRAC 11 ROW RAM ASS'Y DIFFERENTIAL LONG NOSE GUIDE RIGHT		
				4 PLACES ± --- ± ---		CHECKED BY ELO	DATE 2006/11/09	DOCUMENT NO. SD-75910-003	SHEET NO. 1 OF 3	
				3 PLACES ± --- ± ---		APPROVED BY BIXLER	DATE 2006/11/10			
				2 PLACES ± 0.13 ± ---		MATERIAL NO. SEE CHART				
				1 PLACE ± 0.25 ± ---		DRAFT WHERE APPLICABLE MUST REMAIN WITHIN DIMENSIONS				
				0 PLACE ± ±		ANGULAR ±1/2°				
						SIZE C				
						THIS DRAWING CONTAINS INFORMATION THAT IS PROPRIETARY TO MOLEX INCORPORATED AND SHOULD NOT BE USED WITHOUT WRITTEN PERMISSION				

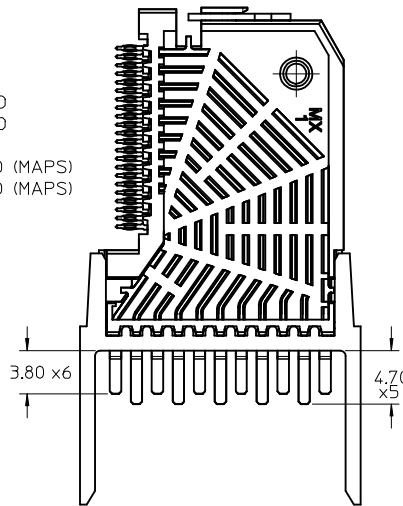
# 75910-\*\*\*\*

MODULE TYPE - TAIL PLATING TYPE  
 GUIDE RIGHT - MATTE TIN (FORMERLY TIN/LEAD) = 4  
 GUIDE RIGHT - MATTE TIN = 5  
 GUIDE RIGHT, END WALL - MATTE TIN (FORMERLY TIN/LEAD) = 8  
 GUIDE RIGHT, END WALL - MATTE TIN = 9

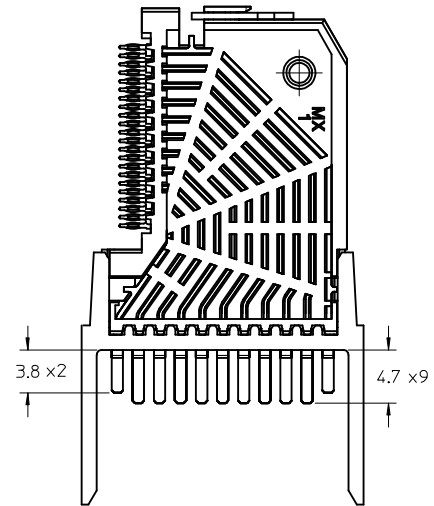
# OF COLUMNS  
 5 = 5 COL  
 6 = 6 COL  
 1 = 10 COL

PIN LENGTH/PLATING  
 3 = 4.70 30 GOLD  
 5 = 6 X 3.80, 5 X 4.70 STAGGERED 30 GOLD  
 6 = 2 X 3.80, 9 X 4.70 STAGGERED 30 GOLD  
 7 = 4.70 10 GOLD (MAPS)  
 8 = 6 X 3.80, 5 X 4.70 STAGGERED 10 GOLD (MAPS)  
 9 = 2 X 3.80, 9 X 4.70 STAGGERED 10 GOLD (MAPS)

ORIENTATION OF GUIDE POST  
 2 = COPLANAR  
 3 = INVERTED



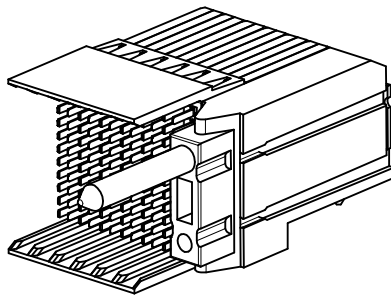
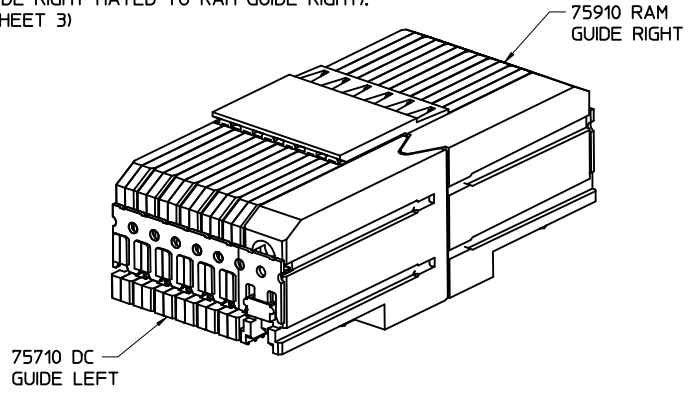
STAGGERED PIN OPTION  
 (75910-\*\*\*\*5)  
 (75910-\*\*\*\*8)



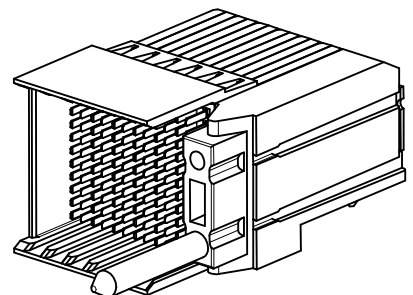
STAGGERED PIN OPTION  
 (75910-\*\*\*\*6)  
 (75910-\*\*\*\*9)

## NOTE:

WHEN MATING RIGHT ANGLE MALE (RAM) TO A DAUGHTERCARD IN A COPLANAR APPLICATION, THE GUIDE CONFIGURATION IS OPPOSING (DC GUIDE LEFT MATED TO RAM GUIDE RIGHT). WHEN INVERTED, THE RAM AND DAUGHTERCARD HAVE THE SAME GUIDE CONFIGURATION (DC GUIDE RIGHT MATED TO RAM GUIDE RIGHT). (SEE SHEET 3)



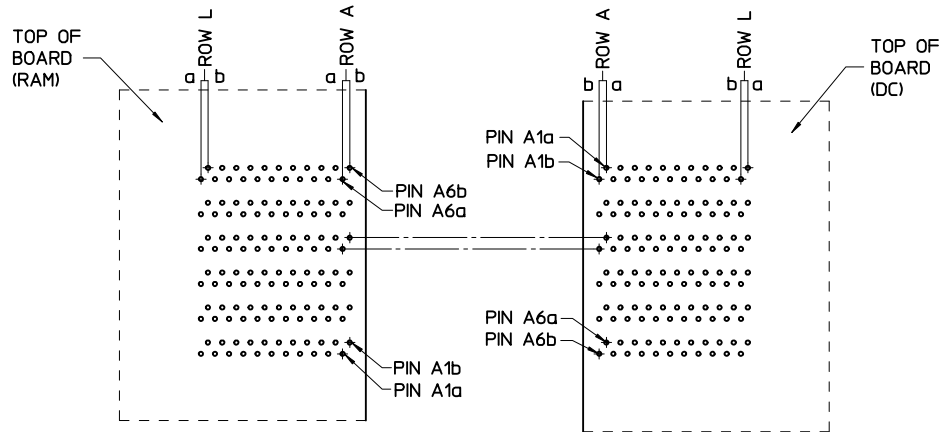
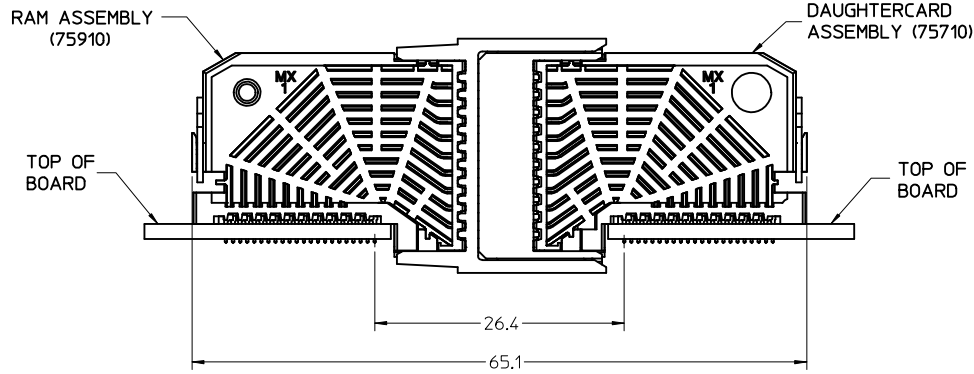
75910-4\*2\* or  
 75910-5\*2\*  
 GUIDE RIGHT, COPLANAR



75910-8\*3\* or  
 75910-9\*3\*  
 GUIDE RIGHT, END WALL,  
 INVERTED

SEE SHEET 1 EC NO: UCP2013-4121 DRW:RWHIPPLE 2013/04/01 CHK:DWOLFE 2013/04/01 APPR:SMILLER 2013/07/15	QUALITY SYMBOLS ▽=0 ▽=0 ▽=0	GENERAL TOLERANCES (UNLESS SPECIFIED) mm INCH 4 PLACES ± --- ± --- 3 PLACES ± --- ± --- 2 PLACES ± 0.13 ± --- 1 PLACE ± 0.25 ± --- 0 PLACE ± ±	DIMENSION STYLE MM ONLY DRAWN BY DATE ELO 2006/06/19 CHECKED BY DATE ELO 2006/11/09 APPROVED BY DATE BIXLER 2006/11/10	SCALE 2:1 DESIGN UNITS METRIC THIRD ANGLE PROJECTION	TITLE I-TRAC 11 ROW RAM ASS'Y DIFFERENTIAL LONG NOSE GUIDE RIGHT <b>molex</b>	MATERIAL NO. SEE CHART DOCUMENT NO. SD-75910-003 SHEET NO. 2 OF 3
	DRAFT WHERE APPLICABLE MUST REMAIN WITHIN DIMENSIONS	ANGULAR ±1/2°	THIS DRAWING CONTAINS INFORMATION THAT IS PROPRIETARY TO MOLEX INCORPORATED AND SHOULD NOT BE USED WITHOUT WRITTEN PERMISSION			

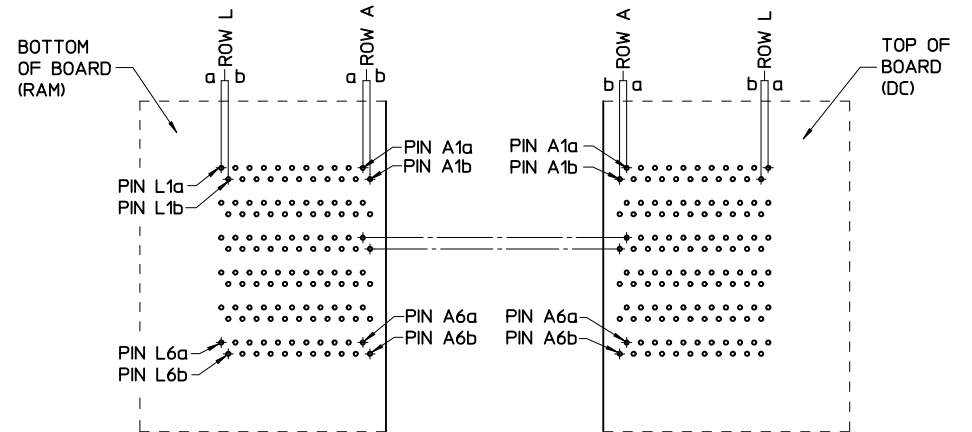
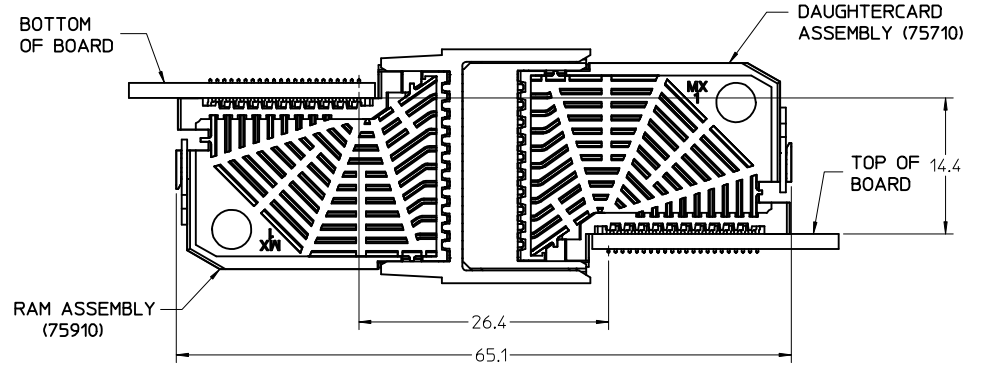
# COPLANAR APPLICATION



COPLANAR MATED SIGNAL PATHS

RAM PIN A6b	.....	DC PIN A1a
RAM PIN A6a	.....	DC PIN A1b
.....	.....	.....
RAM PIN A1b	.....	DC PIN A6a
RAM PIN A1a	.....	DC PIN A6b

# INVERTED APPLICATION



INVERTED MATED SIGNAL PATHS

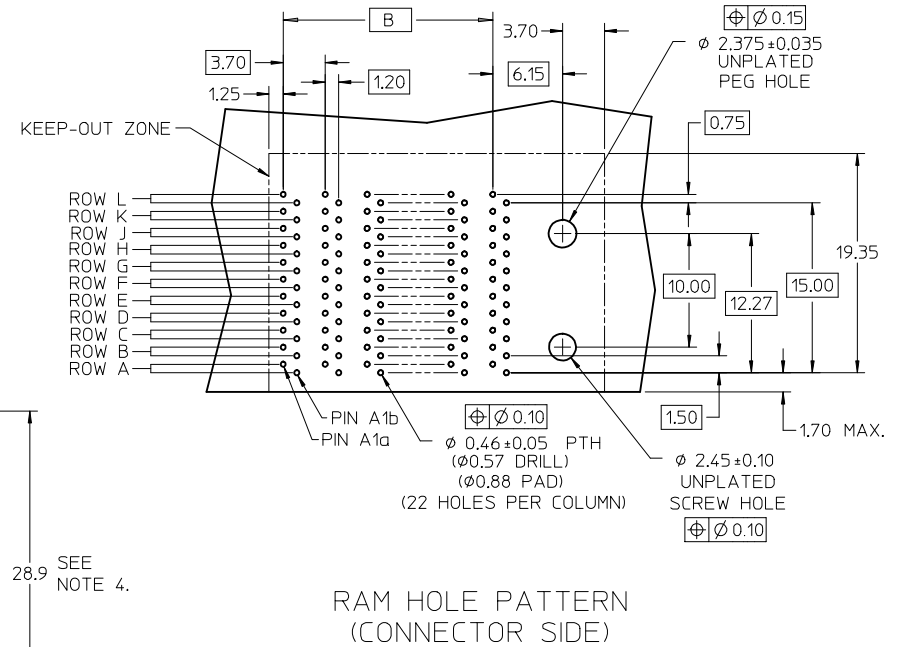
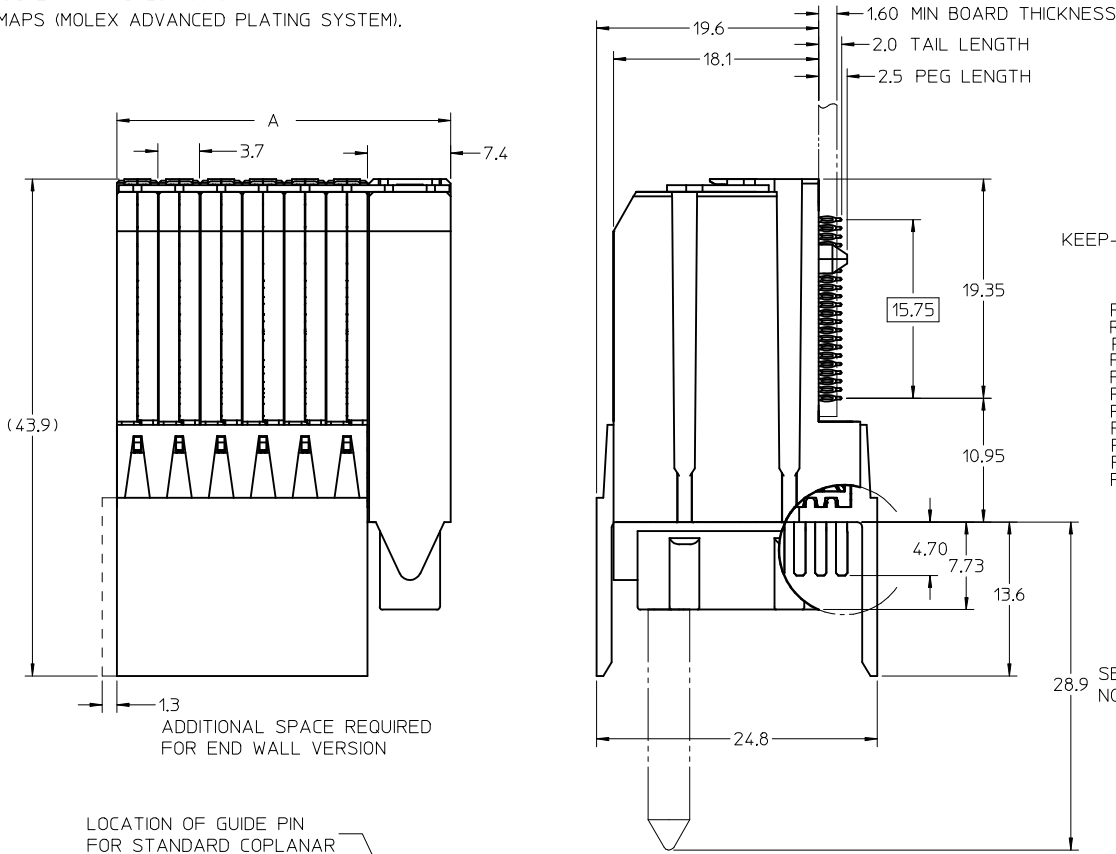
RAM PIN L1a	.....	DC PIN A1a
RAM PIN L1b	.....	DC PIN A1b
.....	.....	.....
RAM PIN L6a	.....	DC PIN A6a
RAM PIN L6b	.....	DC PIN A6b

SEE SHEET 1 EC NO: UCP2013-4121 DRW:RWHIPPLE 2013/04/01 CHKD:MWOLFE 2013/04/01 APPR:SMILLER 2013/07/15	QUALITY SYMBOLS	GENERAL TOLERANCES (UNLESS SPECIFIED)	DIMENSION STYLE <b>MM ONLY</b>	SCALE 2:1	DESIGN UNITS METRIC	THIRD ANGLE PROJECTION
	▽=0	mm INCH	DRAWN BY DATE ELO 2006/06/19	TITLE I-TRAC 11 ROW RAM ASS'Y DIFFERENTIAL LONG NOSE GUIDE RIGHT	<b>molex</b> DOCUMENT NO. SD-75910-003	SHEET NO. 3 OF 3
	▽=0	4 PLACES ± --- ± ---	CHECKED BY DATE ELO 2006/11/09			
	▽=0	3 PLACES ± --- ± ---	APPROVED BY DATE BIXLER 2006/11/10			
▽=0	2 PLACES ± 0.13 ± ---	MATERIAL NO.				
		1 PLACE ± 0.25 ± ---	SEE CHART	SD-75910-003		
		0 PLACE ± ±	SIZE C	THIS DRAWING CONTAINS INFORMATION THAT IS PROPRIETARY TO MOLEX INCORPORATED AND SHOULD NOT BE USED WITHOUT WRITTEN PERMISSION		
		ANGULAR ±1/2°				
		DRAFT WHERE APPLICABLE MUST REMAIN WITHIN DIMENSIONS				

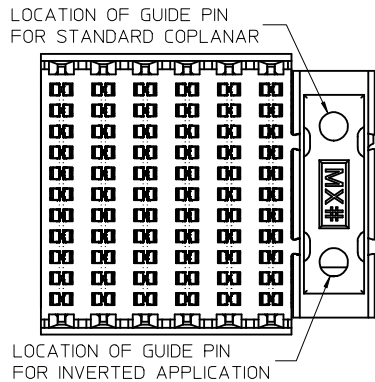
NOTES:

1. MATERIALS: HOUSING - LIQUID CRYSTAL POLYMER (LCP), BLACK, UL94V-0  
TERMINALS - HIGH PERFORMANCE COPPER ALLOY
2. FINISH: SELECTIVE GOLD IN CONTACT AREA.  
SELECTIVE MATTE TIN ON PCB TAILS. NICKEL OVERALL.
3. MOLEX PRODUCT SPECIFICATION: PS-75710-999.
4. OPTIONAL GUIDE PIN SHOWN IN COPLANAR LOCATION.
5. PACKAGED PER PK-70873-585.
6. THIS PART CONFORMS TO CLASS B REQUIREMENTS OF MOLEX COSMETIC SPEC PS-45499-002.
7. GUIDED PARTS TO BE SHIPPED WITH 2-32 TYPE AB SELF-TAPPING SCREW P/N 73726-0000.
8. MAPS (MOLEX ADVANCED PLATING SYSTEM).

MATERIAL NUMBER	# OF COLUMNS	DIM "A" MAX	DIM "B"
75910-*5**	5	25.9	14.80
75910-*6**	6	29.6	18.50
75910-*1**	10	44.4	33.30



RAM HOLE PATTERN (CONNECTOR SIDE)



(75910-\*\*\*3)  
(75910-\*\*\*7)

LEAD FREE CON/ MAPS EC NO: UCP2013-4121 G	DRWNR:WHIPPLE 2013/04/01 CHKD:WOLFE 2013/04/01 APPR:SMILLER 2013/07/15	DESCRIPTION	QUALITY SYMBOLS	GENERAL TOLERANCES (UNLESS SPECIFIED)		DIMENSION STYLE MM ONLY		SCALE 3:1	DESIGN UNITS METRIC	THIRD ANGLE PROJECTION
				mm	INCH	DRAWN BY ELO	DATE 2006/06/19	TITLE I-TRAC 11 ROW RAM ASS'Y DIFFERENTIAL LONG NOSE GUIDE RIGHT		
				4 PLACES ± --- ± ---		CHECKED BY ELO	DATE 2006/11/09	DOCUMENT NO. SD-75910-003		SHEET NO. 1 OF 3
				3 PLACES ± --- ± ---		APPROVED BY BIXLER	DATE 2006/11/10	MATERIAL NO.		
				2 PLACES ± 0.13 ± ---		SIZE C		THIS DRAWING CONTAINS INFORMATION THAT IS PROPRIETARY TO MOLEX INCORPORATED AND SHOULD NOT BE USED WITHOUT WRITTEN PERMISSION		
				1 PLACE ± 0.25 ± ---		ANGULAR ± 1/2°				
				0 PLACE ± ±		DRAFT WHERE APPLICABLE MUST REMAIN WITHIN DIMENSIONS				

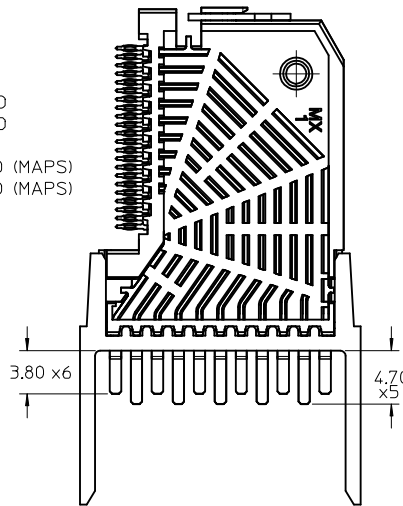
# 75910-\*\*\*\*

MODULE TYPE - TAIL PLATING TYPE  
 GUIDE RIGHT - MATTE TIN (FORMERLY TIN/LEAD) = 4  
 GUIDE RIGHT - MATTE TIN = 5  
 GUIDE RIGHT, END WALL - MATTE TIN (FORMERLY TIN/LEAD) = 8  
 GUIDE RIGHT, END WALL - MATTE TIN = 9

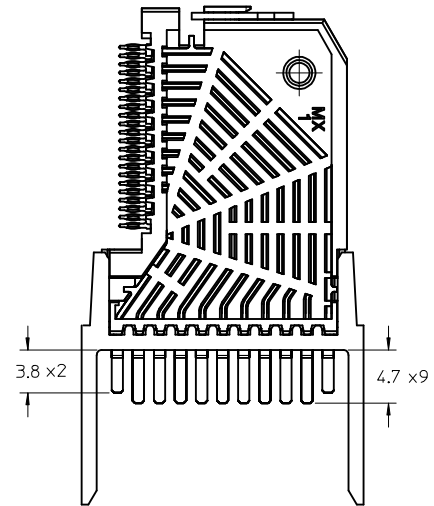
# OF COLUMNS  
 5 = 5 COL  
 6 = 6 COL  
 1 = 10 COL

PIN LENGTH/PLATING  
 3 = 4.70 30 GOLD  
 5 = 6 X 3.80, 5 X 4.70 STAGGERED 30 GOLD  
 6 = 2 X 3.80, 9 X 4.70 STAGGERED 30 GOLD  
 7 = 4.70 10 GOLD (MAPS)  
 8 = 6 X 3.80, 5 X 4.70 STAGGERED 10 GOLD (MAPS)  
 9 = 2 X 3.80, 9 X 4.70 STAGGERED 10 GOLD (MAPS)

ORIENTATION OF GUIDE POST  
 2 = COPLANAR  
 3 = INVERTED



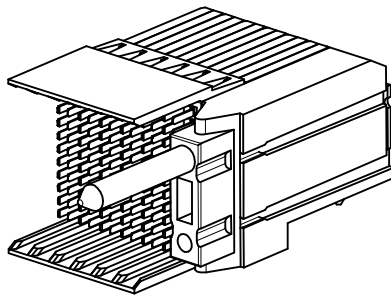
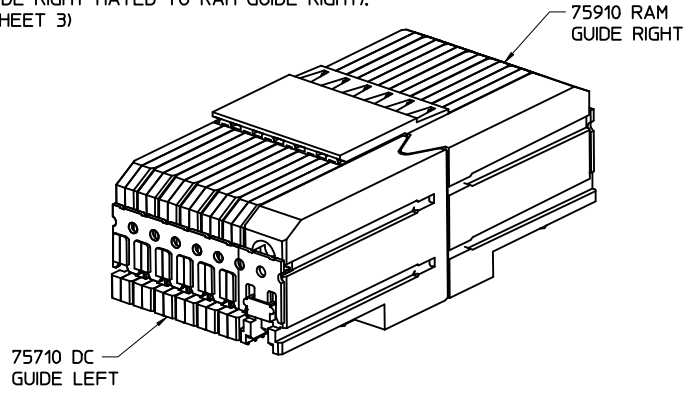
STAGGERED PIN OPTION  
 (75910-\*\*\*5)  
 (75910-\*\*\*8)



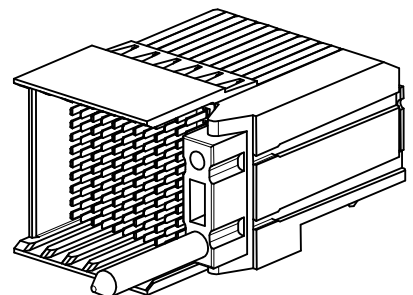
STAGGERED PIN OPTION  
 (75910-\*\*\*6)  
 (75910-\*\*\*9)

## NOTE:

WHEN MATING RIGHT ANGLE MALE (RAM) TO A DAUGHTERCARD IN A COPLANAR APPLICATION, THE GUIDE CONFIGURATION IS OPPOSING (DC GUIDE LEFT MATED TO RAM GUIDE RIGHT). WHEN INVERTED, THE RAM AND DAUGHTERCARD HAVE THE SAME GUIDE CONFIGURATION (DC GUIDE RIGHT MATED TO RAM GUIDE RIGHT). (SEE SHEET 3)



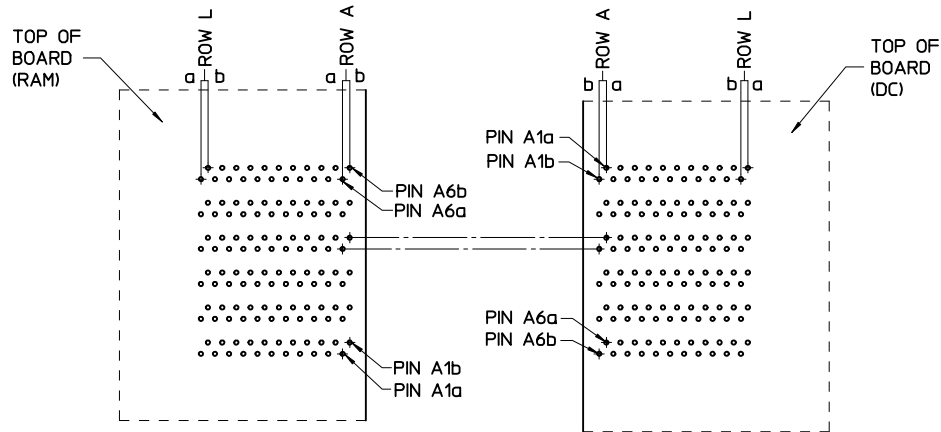
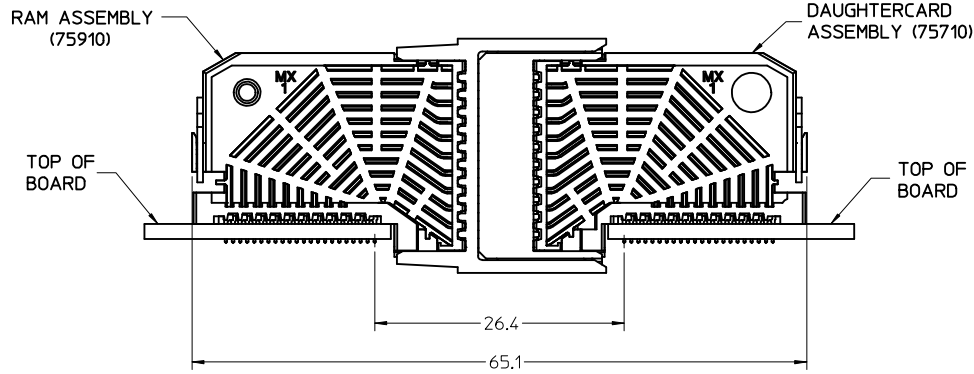
75910-4\*2\* or  
 75910-5\*2\*  
 GUIDE RIGHT, COPLANAR



75910-8\*3\* or  
 75910-9\*3\*  
 GUIDE RIGHT, END WALL, INVERTED

SEE SHEET 1 EC NO: UCP2013-4121 DRW:RWHIPPLE 2013/04/01 CHK:DHWOLFE 2013/04/01 APPR:SMILLER 2013/07/15	QUALITY SYMBOLS ▽=0 ▽=0 ▽=0	GENERAL TOLERANCES (UNLESS SPECIFIED) mm INCH 4 PLACES ± --- ± --- 3 PLACES ± --- ± --- 2 PLACES ± 0.13 ± --- 1 PLACE ± 0.25 ± --- 0 PLACE ± ±	DIMENSION STYLE MM ONLY DRAWN BY DATE ELO 2006/06/19 CHECKED BY DATE ELO 2006/11/09 APPROVED BY DATE BIXLER 2006/11/10	SCALE 2:1 DESIGN UNITS METRIC THIRD ANGLE PROJECTION	TITLE I-TRAC 11 ROW RAM ASS'Y DIFFERENTIAL LONG NOSE GUIDE RIGHT <b>molex</b>	MATERIAL NO. SEE CHART DOCUMENT NO. SD-75910-003 SHEET NO. 2 OF 3
	DRAFT WHERE APPLICABLE MUST REMAIN WITHIN DIMENSIONS	ANGULAR ±1/2°	THIS DRAWING CONTAINS INFORMATION THAT IS PROPRIETARY TO MOLEX INCORPORATED AND SHOULD NOT BE USED WITHOUT WRITTEN PERMISSION			

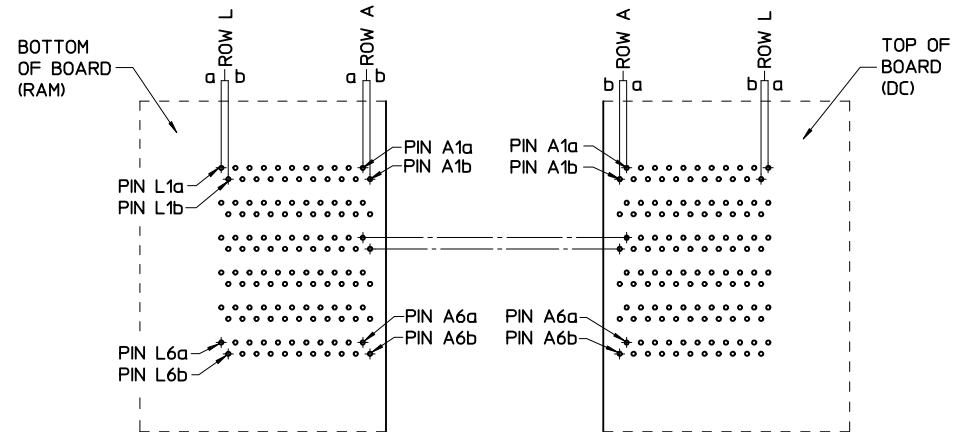
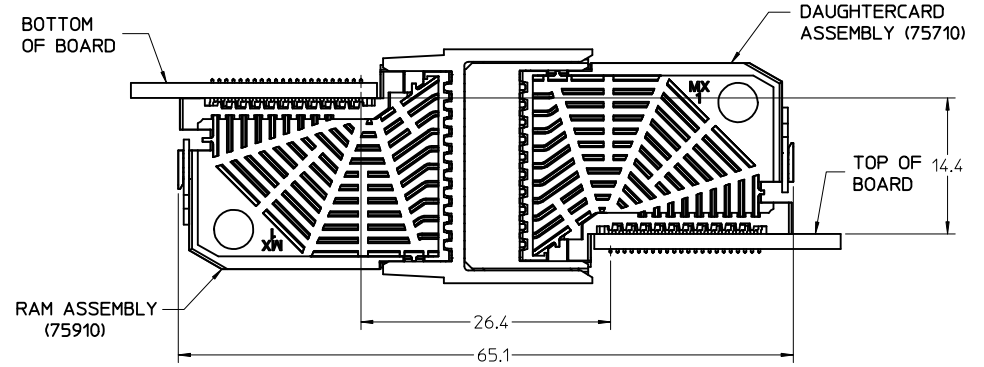
# COPLANAR APPLICATION



COPLANAR MATED SIGNAL PATHS

RAM PIN A6b	.....	DC PIN A1a
RAM PIN A6a	.....	DC PIN A1b
.....	.....	.....
RAM PIN A1b	.....	DC PIN A6a
RAM PIN A1a	.....	DC PIN A6b

# INVERTED APPLICATION



INVERTED MATED SIGNAL PATHS

RAM PIN L1a	.....	DC PIN A1a
RAM PIN L1b	.....	DC PIN A1b
.....	.....	.....
RAM PIN L6a	.....	DC PIN A6a
RAM PIN L6b	.....	DC PIN A6b

SEE SHEET 1 EC NO: UCP2013-4121 DRW:RWHIPPLE 2013/04/01 CHKD:MWOLFE 2013/04/01 APPR:SMILLER 2013/07/15	QUALITY SYMBOLS	GENERAL TOLERANCES (UNLESS SPECIFIED)	DIMENSION STYLE <b>MM ONLY</b>	SCALE 2:1	DESIGN UNITS METRIC	THIRD ANGLE PROJECTION
	▽=0	4 PLACES ± --- ± ---	DRAWN BY ELO	DATE 2006/06/19	I-TRAC 11 ROW RAM ASS'Y DIFFERENTIAL LONG NOSE GUIDE RIGHT <b>molex</b> DOCUMENT NO. SD-75910-003 SHEET NO. 3 OF 3	
	▽=0	3 PLACES ± --- ± ---	CHECKED BY ELO	DATE 2006/11/09		
	▽=0	2 PLACES ± 0.13 ± ---	APPROVED BY BIXLER	DATE 2006/11/10		
▽=0	1 PLACE ± 0.25 ± ---	MATERIAL NO.	SIZE C			
		0 PLACE ± ±	DRAFT WHERE APPLICABLE MUST REMAIN WITHIN DIMENSIONS		THIS DRAWING CONTAINS INFORMATION THAT IS PROPRIETARY TO MOLEX INCORPORATED AND SHOULD NOT BE USED WITHOUT WRITTEN PERMISSION	