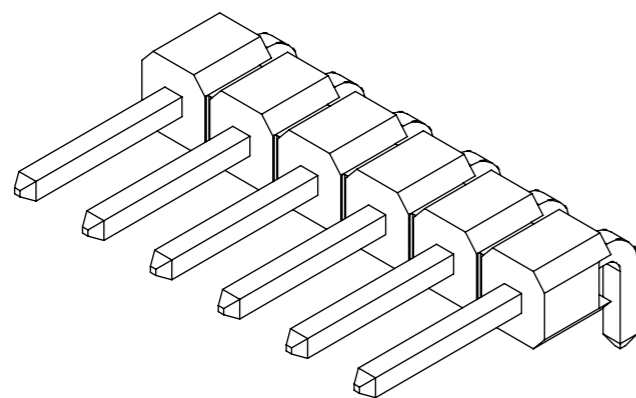
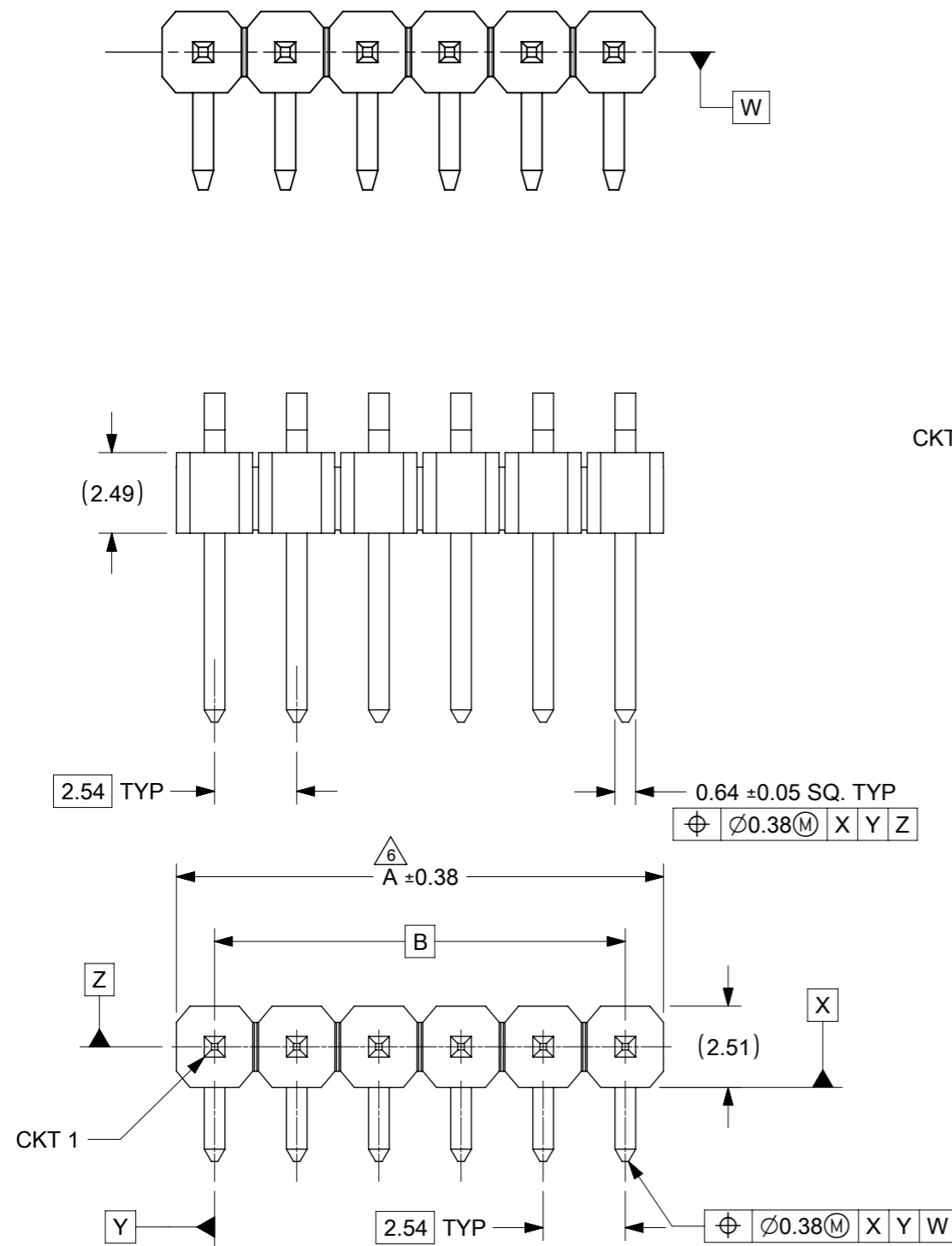
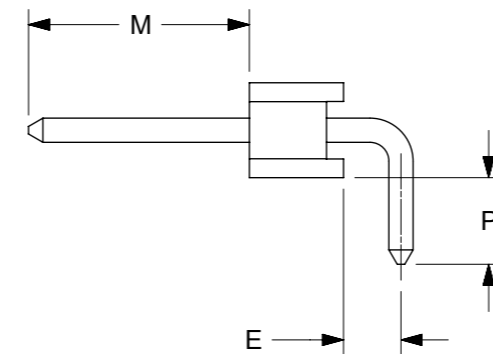
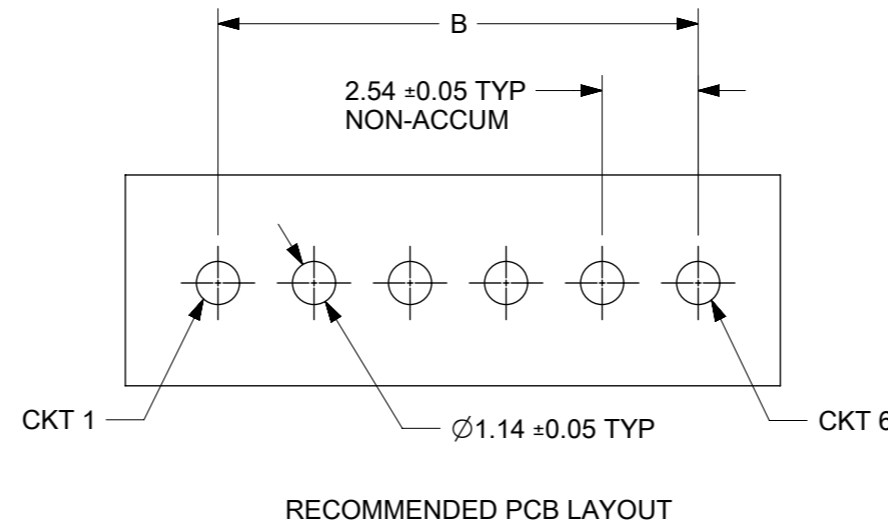


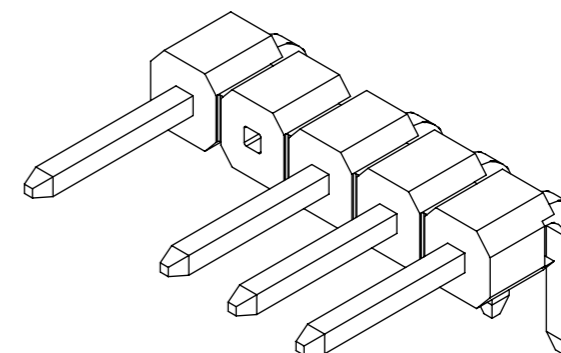
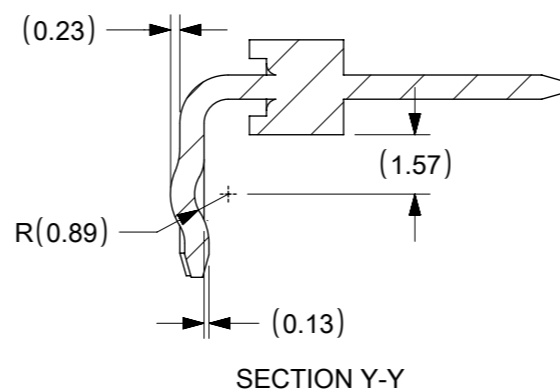
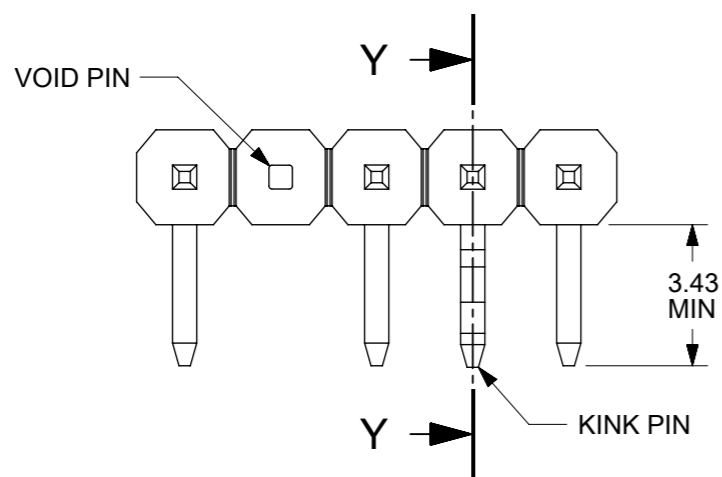
NOTES

1. MATERIAL:
HSG: NYLON, GLASS-FILLED, UL94V-0, COLOR: BLACK
PIN: 0.64MM SQ, COPPER ALLOY
2. PLATING TYPE:
 - (1) GOLD FLASH OVER
1.25µm MIN. NICKEL OVERALL.
 - (2) GOLD FLASH ON CONTACT AND
2.50µm MIN. TIN ON SOLDER TAIL OVER
1.25µm MIN. NICKEL OVERALL.
 - (3) 0.38µm MIN. GOLD PLATE ON CONTACT AND
2.00µm MIN. TIN ON SOLDER TAIL OVER
1.25µm MIN. NICKEL OVERALL.
 - (4) 0.75µm MIN. GOLD PLATE ON CONTACT AND
2.00µm MIN. TIN ON SOLDER TAIL OVER
1.25µm MIN. NICKEL OVERALL.
 - (5) 2.50µm MIN. TIN OVERALL
1.25µm MIN. NICKEL OVERALL
3. PRODUCT SPECIFICATION: PS-87920-019
4. PACKAGING TYPE: SEE TABLE
5. WAFER TO BE FLAT WITHIN 0.003 mm/mm
6. IRREGULAR CIRCUIT CUTOFF WITHIN BREAKAWAY SECTION IS PERMISSIBLE. CUTTING OR CHIPPING OF THE MAIN BODY IS NOT ACCEPTABLE
7. RECOMMENDED PCB THICKNESS IS 1.60mm±0.10
8. THE ABOVE CKT 6 IS FOR ILLUSTRATION PURPOSE ONLY
9. PACKAGING SPECIFICATION:
 - (1) TUBE: PK-89990-516
 - (2) TUBE: PK-89990-578
 - (3) TRAY: PK-89990-489
TRAY: 878970331-RPK (ONLY FOR 87897-0331)
 - (4) BULK: PK-89990-491



THIS DRAWING CONTAINS INFORMATION THAT IS PROPRIETARY TO MOLEX ELECTRONIC TECHNOLOGIES, LLC AND SHOULD NOT BE USED WITHOUT WRITTEN PERMISSION		CURRENT REV DESC: BRIGHT TIN PHASE OUT																																															
<table border="1"> <tr> <th>DIMENSION UNITS</th> <th>SCALE</th> </tr> <tr> <td>mm</td> <td>NTS</td> </tr> </table>		DIMENSION UNITS	SCALE			mm	NTS	<table border="1"> <tr> <th colspan="2">GENERAL TOLERANCES (UNLESS SPECIFIED)</th> </tr> <tr> <th>MM</th> <th>INCH</th> </tr> <tr> <td>4 PLACES ±</td> <td>±</td> </tr> <tr> <td>3 PLACES ±</td> <td>±</td> </tr> <tr> <td>2 PLACES ±</td> <td>0.2 ±</td> </tr> <tr> <td>1 PLACE ±</td> <td>±</td> </tr> <tr> <td>0 PLACES ±</td> <td>±</td> </tr> <tr> <td>ANGULAR TOL</td> <td>± 3.0°</td> </tr> </table>		GENERAL TOLERANCES (UNLESS SPECIFIED)		MM	INCH	4 PLACES ±	±	3 PLACES ±	±	2 PLACES ±	0.2 ±	1 PLACE ±	±	0 PLACES ±	±	ANGULAR TOL	± 3.0°	<table border="1"> <tr> <td>EC NO: 679909</td> <td></td> </tr> <tr> <td>DRWN: AKUMAR19</td> <td>2021/06/28</td> </tr> <tr> <td>CHK'D: MRAMAKRISHNA</td> <td>2021/10/11</td> </tr> <tr> <td>APPR: MRAMAKRISHNA</td> <td>2021/10/11</td> </tr> <tr> <td colspan="2">INITIAL REVISION:</td> </tr> <tr> <td>DRWN: SKLIM01</td> <td>2006/10/18</td> </tr> <tr> <td>APPR: KWLEE</td> <td>2006/12/13</td> </tr> </table>		EC NO: 679909		DRWN: AKUMAR19	2021/06/28	CHK'D: MRAMAKRISHNA	2021/10/11	APPR: MRAMAKRISHNA	2021/10/11	INITIAL REVISION:		DRWN: SKLIM01	2006/10/18	APPR: KWLEE	2006/12/13	<table border="1"> <tr> <td>DOCUMENT NUMBER</td> <td>DOC TYPE</td> <td>DOC PART</td> <td>REVISION</td> </tr> <tr> <td>SD-87897-011</td> <td>PSD</td> <td>001</td> <td>C10</td> </tr> </table>		DOCUMENT NUMBER	DOC TYPE	DOC PART	REVISION	SD-87897-011	PSD
DIMENSION UNITS	SCALE																																																
mm	NTS																																																
GENERAL TOLERANCES (UNLESS SPECIFIED)																																																	
MM	INCH																																																
4 PLACES ±	±																																																
3 PLACES ±	±																																																
2 PLACES ±	0.2 ±																																																
1 PLACE ±	±																																																
0 PLACES ±	±																																																
ANGULAR TOL	± 3.0°																																																
EC NO: 679909																																																	
DRWN: AKUMAR19	2021/06/28																																																
CHK'D: MRAMAKRISHNA	2021/10/11																																																
APPR: MRAMAKRISHNA	2021/10/11																																																
INITIAL REVISION:																																																	
DRWN: SKLIM01	2006/10/18																																																
APPR: KWLEE	2006/12/13																																																
DOCUMENT NUMBER	DOC TYPE	DOC PART	REVISION																																														
SD-87897-011	PSD	001	C10																																														
<table border="1"> <tr> <td>DRAFT WHERE APPLICABLE MUST REMAIN WITHIN DIMENSIONS</td> <td>THIRD ANGLE PROJECTION</td> <td>DRAWING</td> <td>SERIES</td> <td>MATERIAL NUMBER</td> <td>CUSTOMER</td> <td>SHEET NUMBER</td> </tr> <tr> <td></td> <td></td> <td>A3-SIZE</td> <td>87897</td> <td>SEE TABLE</td> <td>GENERAL MARKET</td> <td>1 OF 3</td> </tr> </table>		DRAFT WHERE APPLICABLE MUST REMAIN WITHIN DIMENSIONS	THIRD ANGLE PROJECTION	DRAWING	SERIES	MATERIAL NUMBER	CUSTOMER	SHEET NUMBER			A3-SIZE	87897	SEE TABLE	GENERAL MARKET	1 OF 3																																		
DRAFT WHERE APPLICABLE MUST REMAIN WITHIN DIMENSIONS	THIRD ANGLE PROJECTION	DRAWING	SERIES	MATERIAL NUMBER	CUSTOMER	SHEET NUMBER																																											
		A3-SIZE	87897	SEE TABLE	GENERAL MARKET	1 OF 3																																											

PART WITH KINKED PIN AND VOIDED PIN
(FOR REFERENCE USED ONLY)

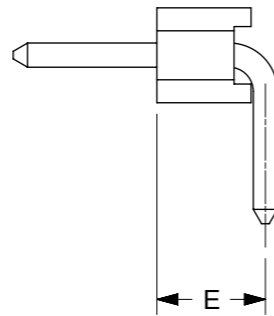


THIS DRAWING CONTAINS INFORMATION THAT IS PROPRIETARY TO MOLEX ELECTRONIC TECHNOLOGIES, LLC AND SHOULD NOT BE USED WITHOUT WRITTEN PERMISSION									
DIMENSION UNITS		SCALE		CURRENT REV DESC: BRIGHT TIN PHASE OUT				molex	
mm		NTS							
GENERAL TOLERANCES (UNLESS SPECIFIED)				CUSTOM HEADER 2.54MM PITCH S/ROW HDR. S/WAFER, RIGHT ANGLE					
				MM		INCH		PRODUCT CUSTOMER DRAWING	
4 PLACES	±		±	EC NO: 679909		2021/06/28		DOCUMENT NUMBER	
3 PLACES	±		±	DRWN: AKUMAR19		2021/10/11		DOC TYPE	
2 PLACES	±	0.2	±	CHK'D: MRAMAKRISHNA		2021/10/11		DOC PART	
1 PLACE	±		±	APPR: MRAMAKRISHNA		2021/10/11		REVISION	
0 PLACES	±		±	INITIAL REVISION:				SD-87897-011	
ANGULAR TOL ± 3.0°				DRWN: SKLIM01		2006/10/18		PSD	
				APPR: KWLEE		2006/12/13		001	
DRAFT WHERE APPLICABLE MUST REMAIN WITHIN DIMENSIONS				THIRD ANGLE PROJECTION		DRAWING		SERIES	
				A3-SIZE		87897		MATERIAL NUMBER	
				SEE TABLE		CUSTOMER		GENERAL MARKET	
								SHEET NUMBER	
								2 OF 3	

CKT SIZE	DIMENSION	
	A	B
2	5.08	2.54
3	7.62	5.08
4	10.16	7.62
5	12.7	10.16
6	15.24	12.7
7	17.78	15.24
8	20.32	17.78
9	22.86	20.32
10	25.4	22.86
11	27.94	25.4
12	30.48	27.94
13	33.02	30.48
14	35.56	33.02
15	38.1	35.56
16	40.64	38.1
17	43.18	40.64
18	45.72	43.18
19	48.26	45.72
20	50.8	48.26
21	53.34	50.8
22	55.88	53.34
23	58.42	55.88
24	60.96	58.42
25	63.5	60.96
26	66.04	63.5
27	68.58	66.04
28	71.12	68.58
29	73.66	71.12
30	76.2	73.66
31	78.74	76.2
32	81.28	78.74
33	83.82	81.28
34	86.36	83.82
35	88.9	86.36
36	91.44	88.9
37	93.98	91.44
38	96.52	93.98
39	99.06	96.52
40	101.6	99.06

PACKAGING OPTION PART NO.			CKT SIZE	KINK POSITION	VOID POSITION	PLATING TYPE	DIMENSION			PK SPEC
TUBE	TRAY	BULK					MATING END	SOLDER TAIL	E	
-	-	87897-0200	2	-	-	5	6.75	2.90	1.75	4
-	-	87897-0212	2	-	-	5	6.75	2.90	1.75	4
-	87897-0299	-	2	-	-	5	8.00	5.29	1.52	3
87897-0300	-	-	3	-	-	5	5.30	3.20	2.87	1
-	87897-0331	-	3	-	-	5	11.00	3.00	5.00	3
87897-0428	-	-	4	-	CKT # 2 & 3	5	3.00	3.00	2.54	1
-	87897-0431	-	4	-	CKT # 2 & 3	5	12.76	3.54	5.00	3
87897-0500	-	-	5	-	-	5	5.30	3.20	2.87	1
-	87897-0001	-	5	-	2, 3, 4	5	14.20	3.20	1.40	3
-	87897-0507	-	5	-	2, 3, 4	5	15.24	2.95	1.27	3
-	87897-1027	-	10	-	-	5	3.00	2.00	1.00	3
-	-	87897-1107	11	-	-	5	12.60	5.60	1.40	4

△ 1 BELOW DIMENSION (E) ONLY APPLIED FOR PART NUMBER 87897-0300 AND -0500



THIS DRAWING CONTAINS INFORMATION THAT IS PROPRIETARY TO MOLEX ELECTRONIC TECHNOLOGIES, LLC AND SHOULD NOT BE USED WITHOUT WRITTEN PERMISSION											
DIMENSION UNITS		SCALE		CURRENT REV DESC: BRIGHT TIN PHASE OUT						molex	
mm		NTS									
GENERAL TOLERANCES (UNLESS SPECIFIED)				EC NO: 679909		DRWN: AKUMAR19		2021/06/28		CUSTOM HEADER	
				CHK'D: MRAMAKRISHNA		APPR: MRAMAKRISHNA		2021/10/11		2.54MM PITCH S/ROW HDR. S/WAFER, RIGHT ANGLE	
				INITIAL REVISION:		DRWN: SKLIM01		2006/10/18		PRODUCT CUSTOMER DRAWING	
				ANGULAR TOL ± 3.0°		APPR: KWLEE		2006/12/13		DOCUMENT NUMBER	
DRAFT WHERE APPLICABLE MUST REMAIN WITHIN DIMENSIONS				THIRD ANGLE PROJECTION		DRAWING		SERIES		MATERIAL NUMBER	
				A3-SIZE		87897		SEE TABLE		CUSTOMER	
						GENERAL MARKET		3 OF 3		SHEET NUMBER	