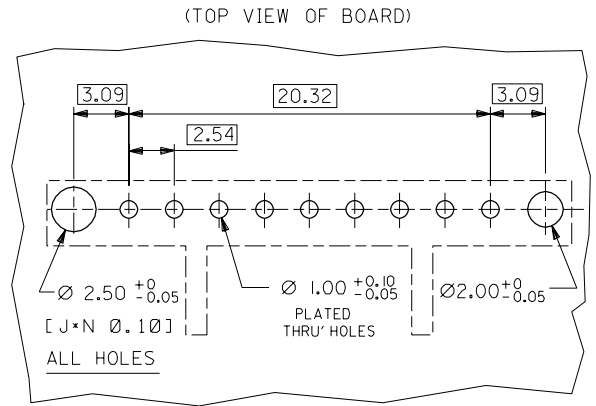
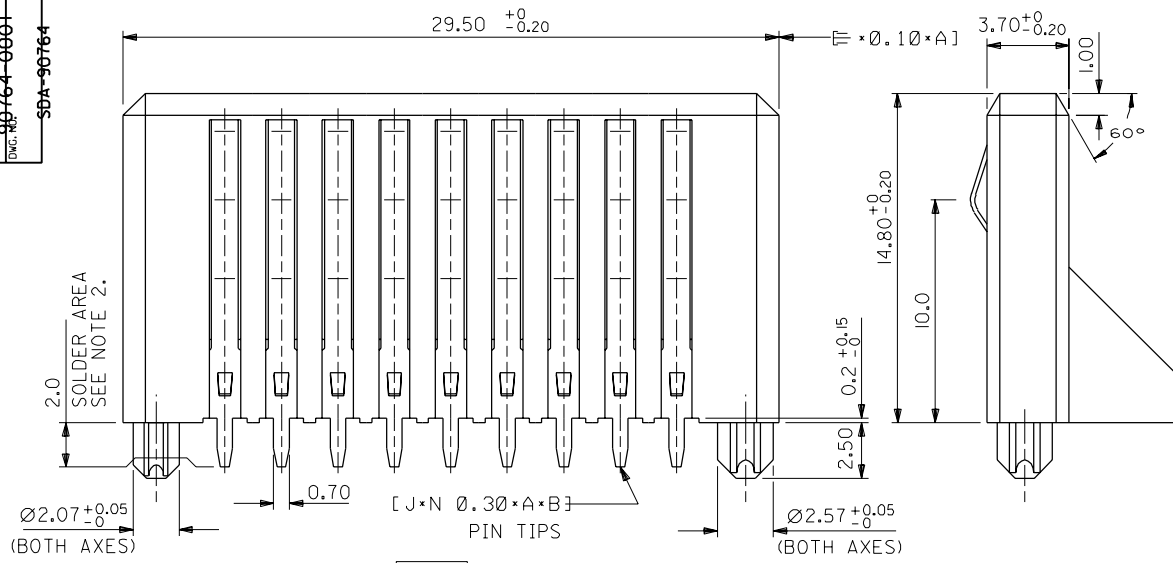
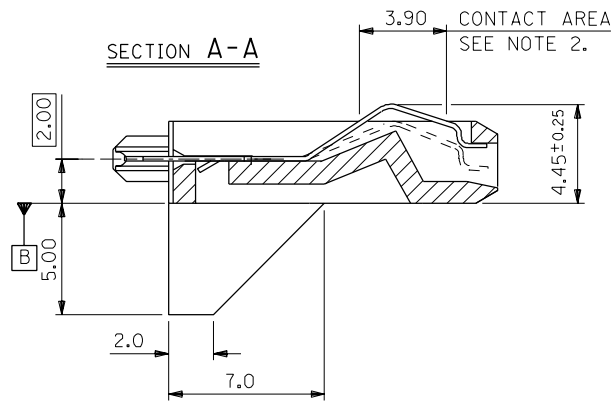
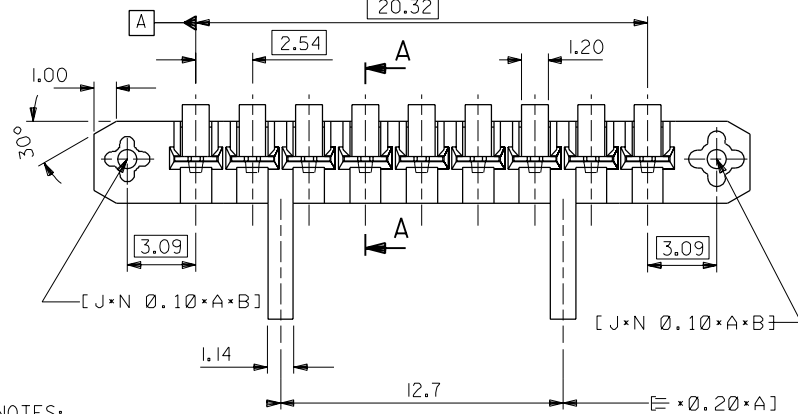


PART NO. **90764-0001**  
 Dwg. Ref. **SDA-90764**



**RECOMMENDED PCB LAYOUT**  
 (RECOMMENDED PCB THICKNESS: 1.0mm)  
 (SCALE : 4:1)



- NOTES:**
- MATERIAL: HOUSING; GLASS FILLED POLYESTER COLOUR-BLACK, RATED UL-94V-0. CONTACT; 0.200 REF THICK PHOSPHOR BRONZE.
  - PLATING; 1.27µm MIN. NI UNDERCOAT ALLOVER, 0.76µm MIN. Au IN CONTACT AREA. 3.0µm MIN. TIN-LEAD IN SOLDER AREA.
  - FOR PRODUCT SPECIFICATION, SEE PS-99020-0030
  - PRODUCT IS TRAY PACKAGED, (84 PARTS PER TRAY).

FOR PREVIOUS DRAWING ISSUES SEE MRI.

PRODUCT TRAY PACKED  
 EGN E30081  
 23 NOVEMBER 1992 SM  
**A1**  
 LTR

DIMENSIONS SHOWN ( METRIC ) INCH	
UNLESS OTHERWISE SPECIFIED TOLERANCES: ANGULAR ± 1/2°	
INCH	( METRIC )
3 PLACE ± .	
2 PLACE ± .	± 0.10
1 PLACE ± .	± 0.20
DRAFT WHERE APPLICABLE MUST REMAIN WITHIN DIMENSIONS	
DESIGN DIMENSION (PRIMARY)	<input checked="" type="checkbox"/> (MM)
EQUIVALENT DIMENSION (SECONDARY)	<input type="checkbox"/> (MM) <input type="checkbox"/> (IN.)

DRWG BY **POB**  
 CHK'D BY  
 APP'D BY  
 SCALE **5:1**

REVISE ONLY ON CAD SYSTEM		SH.	REV.
CAD/CAM FILENAME SA90764X1 DGN		THIS DRAWING CONTAINS INFORMATION THAT IS PROPRIETARY TO MOLEX INC. & SHOULD NOT BE USED WITHOUT WRITTEN PERMISSION	
TITLE <b>BATTERY CONNECTOR 2.54mm CENTRELINES 9 CIRCUIT</b>			
molex <b>MOLEX EUROPE</b>		SHEET NO. DATE <b>10F1 92/06/26</b>	
PART NO. <b>90764-0001</b>	DWG NO. <b>SDA-90764</b>	SIZE <b>B</b>	