

Housing - HC-EVO-B24-BWS-PLRBK - 1407659

Please be informed that the data shown in this PDF Document is generated from our Online Catalog. Please find the complete data in the user's documentation. Our General Terms of Use for Downloads are valid (<http://phoenixcontact.com/download>)




HEAVYCON EVO panel mounting base, plastic, B24, with single locking latch, height: 30.5 mm, with flat gasket

Your advantages

- Lower costs than metal version
- Low weight
- Lower risk of condensation
- Both contact insert PE sheets are connected by means of a metal frame integrated in the sleeve housing
- Metal inlays ensure leading PE contact with angled plugs
- Completely corrosion-resistant
- Halogen-free plastic
- Marking label can be attached



Key Commercial Data

Packing unit	1 pc
GTIN	 4 046356 777223
GTIN	4046356777223

Technical data

Dimensions

Height	30.5 mm
Width	53 mm
Length	140.5 mm
Length of the assembly cutout	113 mm
Width of the assembly cutout	35 mm

Ambient conditions

Degree of protection (IP)	IP66
Degree of protection (NEMA)	12 (UL 50e)

Housing - HC-EVO-B24-BWS-PLRBK - 1407659

Technical data

Ambient conditions

Ambient temperature (operation)	-40 °C ... 125 °C
---------------------------------	-------------------

General

Note	For contact inserts HC-B24, BB46, D64, DD108, M, K, HV10-I-PT, HV 10-E...C
Size	B24
Housing type	Panel mounting base
Color	black
Locking type	with single locking latch
Torque	0.5 Nm ... 1.7 Nm (Fixing screws for panel mounting base)
Screw connection	none
Housing material	PA
Seal material	NBR
Material lock	PA
Flammability rating according to UL 94	V0
Assembly instructions	Not for D series terminal adapters
Connection	Not for HC-B 24-ADP-B..... adapter plates

Standards and Regulations

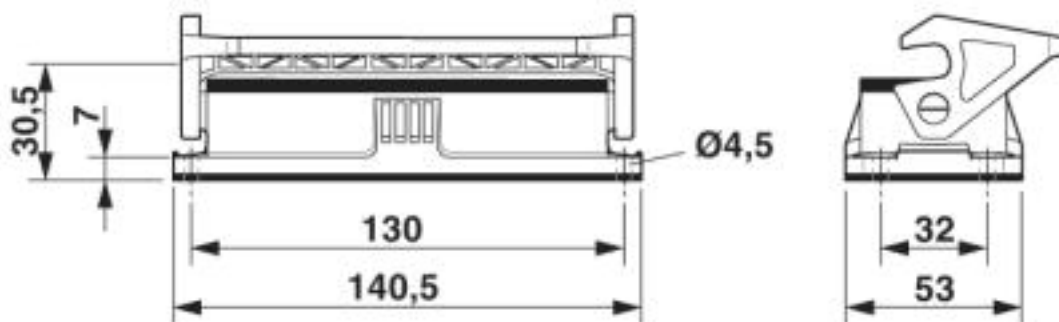
Flammability rating according to UL 94	V0
--	----

Environmental Product Compliance

China RoHS	Environmentally friendly use period: unlimited = EFUP-e
	No hazardous substances above threshold values

Drawings

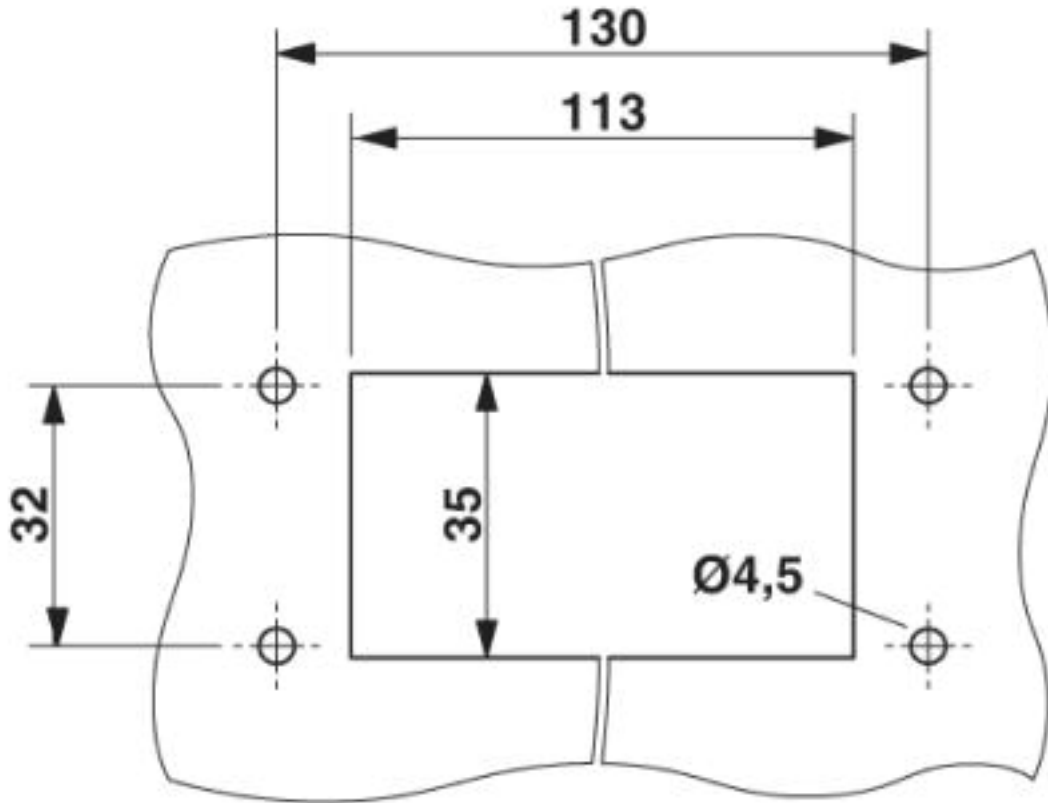
Dimensional drawing



Dimensional drawing

Housing - HC-EVO-B24-BWS-PLRBK - 1407659

Dimensional drawing



Mounting cutout

Approvals

Approvals

Approvals

UL Recognized / cUL Recognized / EAC / DNV GL / cULus Recognized

Ex Approvals

Approval details

UL Recognized




<http://database.ul.com/cgi-bin/XYV/template/LISEXT/1FRAME/index.htm>

E255026

Housing - HC-EVO-B24-BWS-PLRBK - 1407659

Approvals

cUL Recognized		http://database.ul.com/cgi-bin/XYV/template/LISEXT/1FRAME/index.htm	E255026
----------------	---	---	---------

EAC			RU C- DE.AI30.B.01102
-----	---	--	--------------------------

DNV GL		https://approvalfinder.dnvgl.com/	TAE000037S
--------	---	---	------------

cULus Recognized			
------------------	---	--	--

Phoenix Contact 2019 © - all rights reserved
<http://www.phoenixcontact.com>

PHOENIX CONTACT GmbH & Co. KG
Flachsmarktstr. 8
32825 Blomberg
Germany
Tel. +49 5235 300
Fax +49 5235 3 41200
<http://www.phoenixcontact.com>