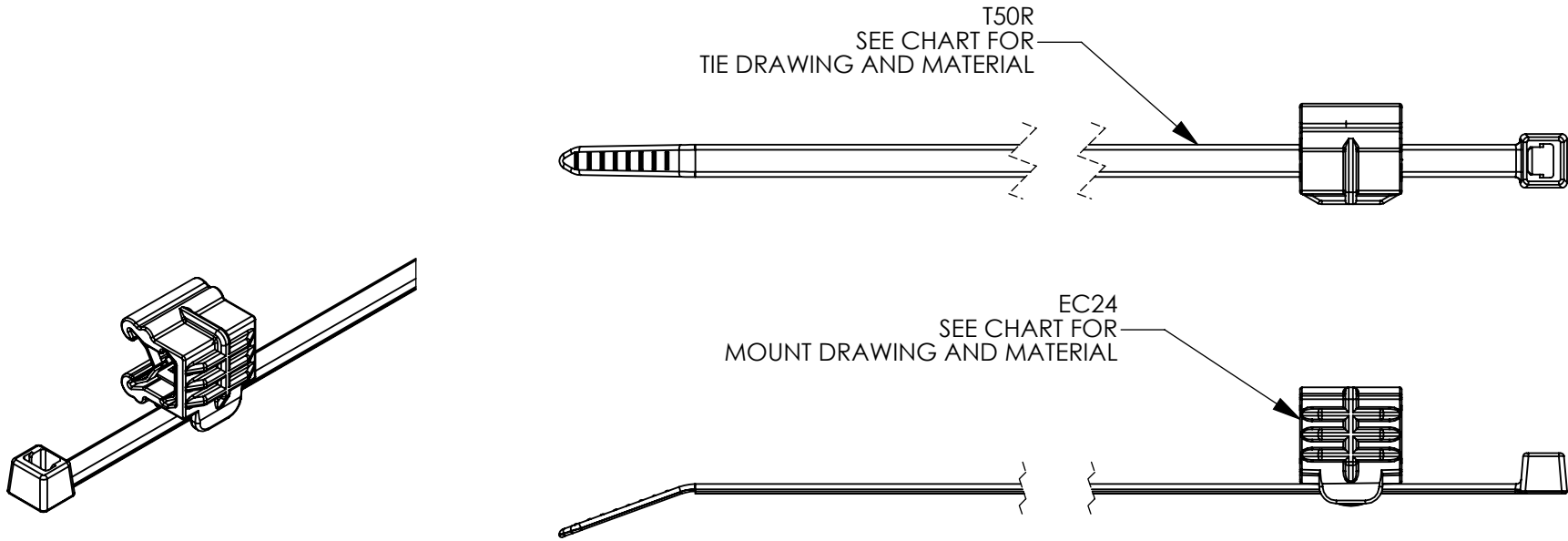


Revision level		Revision Record	Changed	Date	Approved	Date
Part	Drawing					
-	01	See ECN 011333	AAC	07/09/2009	KAC	07/09/2009



DELIVERY CONDITION:  
CABLE TIE HEAD COULD BE AT THE LEFT OR RIGHT SIDE OF EDGE CLIP

TYPE	BUNDLE RANGE	CABLE TIES		MOUNT	
		DRAWING	MATERIAL	DRAWING	MATERIAL
T50REC24	5 to 50	CT2050007CST	PA66HS PA66UV PA46	XCL-HTG156CST	PA66HIRHS
	12.7 to 44.5	CT2050007CSTPPP	PP		

**SEE CHART**

Material

Dimension tolerances unless otherwise specified
.xxxx = ±.0005
.xxx = ±.005
.xx = ±.01
.x = ±.03
∠ = ±0.5°
Dimension Units inches
PERFORMANCE SPECIFICATION

**SW 2007**

ALL PROPRIETARY RIGHTS IN THE SUBJECT MATTER SHOWN ON THIS DRAWING ARE EXCLUSIVE PROPERTY OF HELLERMANNNTYTON

Drawn	AAC	07/09/2009
Approved	KAC	07/09/2009

**HellermannTyton®**  
Cable Management Products

7930 N. Faulkner Rd.  
Milwaukee, WI 53224  
Ph: (414) 355-1130  
Fx: (414) 362-8342

Scale	1:1	Computer File Number	CT2050068CST_01
Title			
<b>T50REC24 T50R STANDARD CABLE TIE WITH EC24 MOUNT</b>			
Drawing-No			Format
<b>CT2050068CST</b>			<b>AH</b>
			Sheet 1 of 1