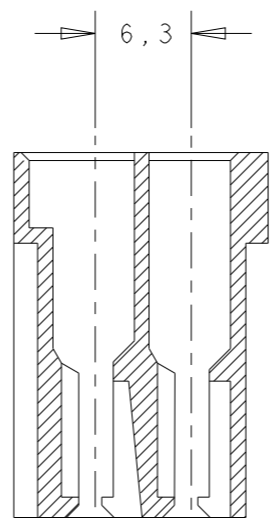
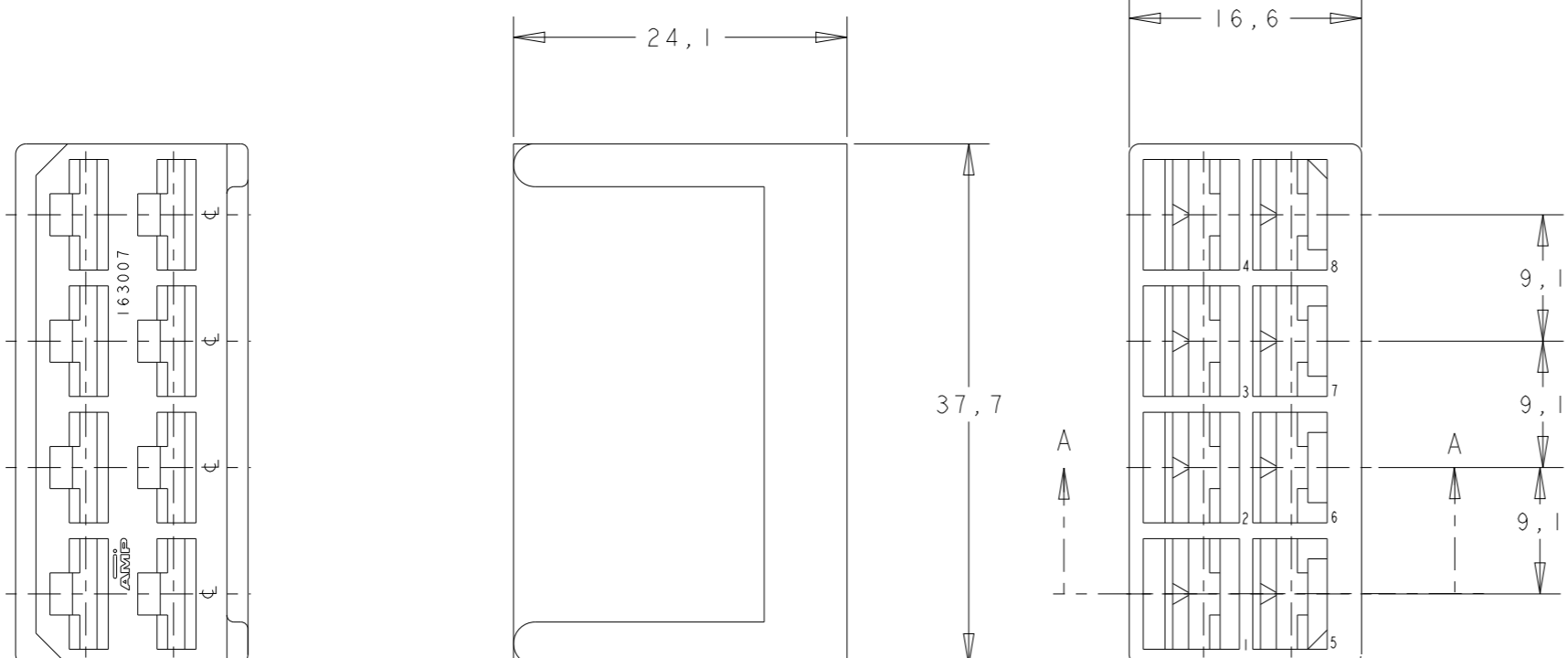


REVISIONS

P	LTR	DESCRIPTION	DATE	DWN	APVD
	D3	REVISED PER ECR-21-118186	29OCT2021	SS	EW

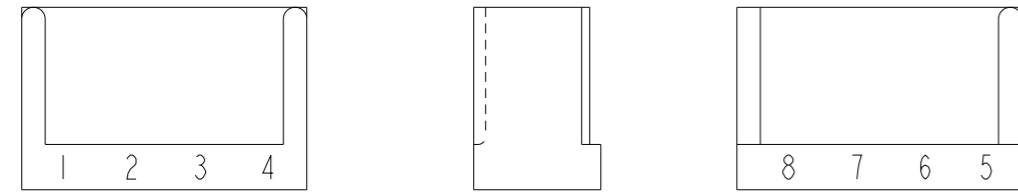
DIMENSIONS IN mm



SECTION A-A

ORDER NO.	COLOUR	MATERIAL
1-163007-0	CLEAR	PA 6/6
163007-9	ORANGE	PA 6/6
163007-8	VIOLET	PA 6/6
163007-7	GREY	PA 6/6
163007-6	BROWN	PA 6/6
163007-5	BLACK	PA 6/6
163007-4	YELLOW	PA 6/6
163007-3	BLUE	PA 6/6
163007-2	GREEN	PA 6/6
163007-1	RED	PA 6/6
163007-0	CLEAR	PA 6/6

THESE VIEWS SHOW THE EXTRA NUMBERING FOR: 1-163007-0



THIS DRAWING IS A CONTROLLED DOCUMENT.		DWN RvHEUVEN 14AUG07		8 WAY FASTIN-ON RECEPT. HOUSING
DIMENSIONS: - mm		CHK MvDRIEL 14AUG07		
TOLERANCES UNLESS OTHERWISE SPECIFIED:		APVD MvDRIEL 14AUG07		
0 PLC ±- 1 PLC ±- 2 PLC ±- 3 PLC ±- 4 PLC ±- ANGLES ±-		PRODUCT SPEC		
MATERIAL - material_2	FINISH - finish_spec_2	APPLICATION SPEC -	NAME	RESTRICTED TO
		WEIGHT -	SIZE A3	CAGE CODE 00779
		CUSTOMER DRAWING	DRAWING NO C-163007	SCALE NTS
			SHEET 1	OF 1
			REV D3	