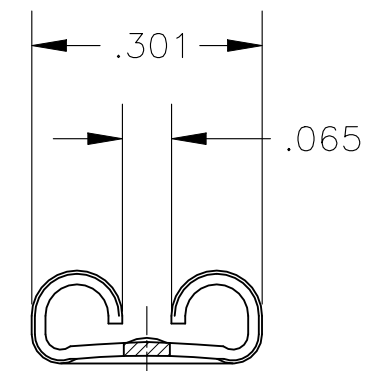
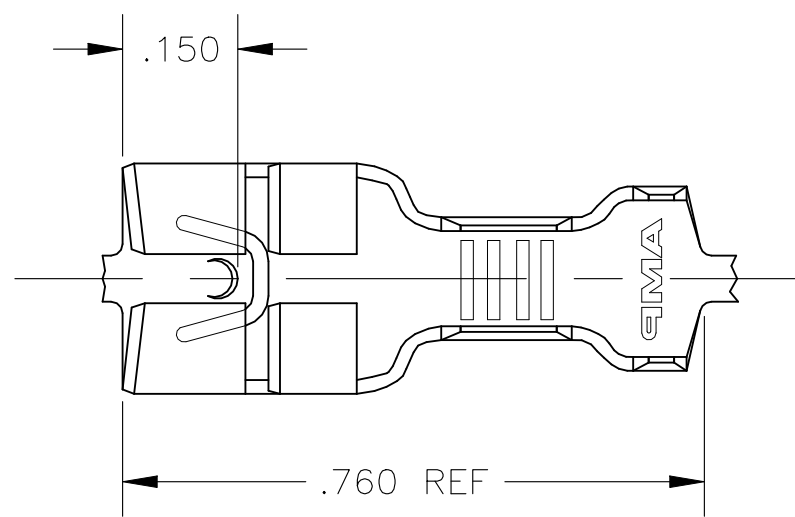
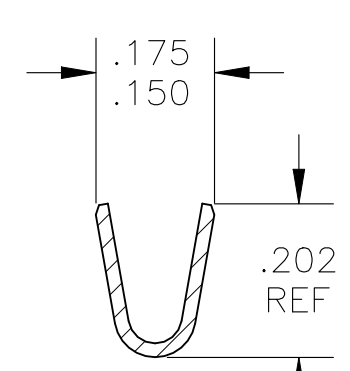
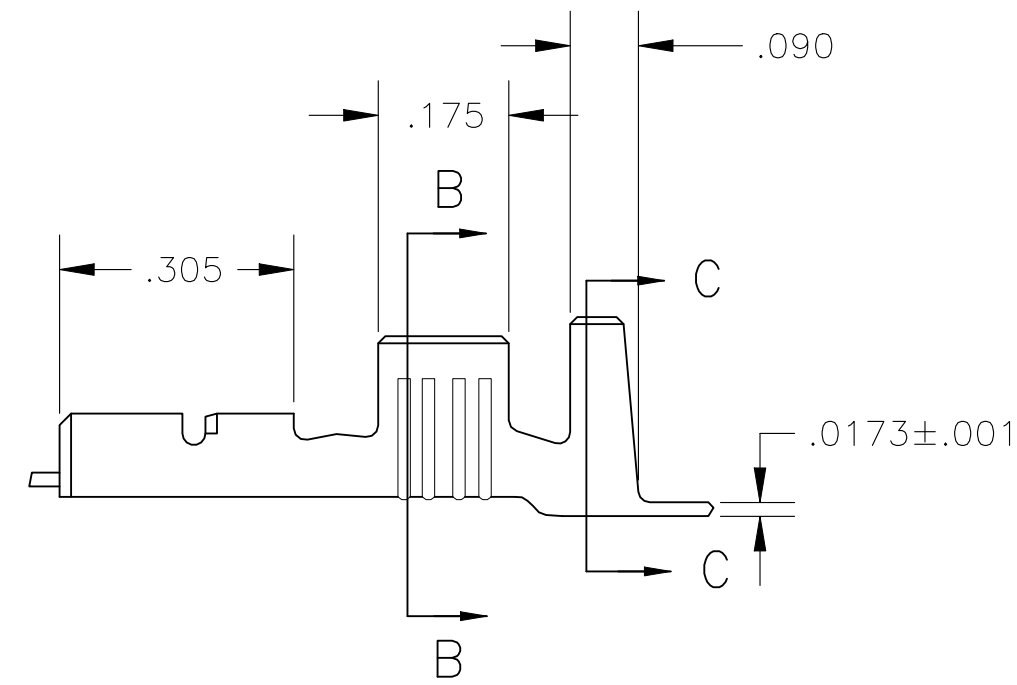
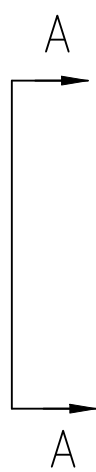


REVISIONS					
P	LTR	DESCRIPTION	DATE	DWN	APVD
	A2	REVISED PER ECR-19-018140	24DEC2020	SS	EW

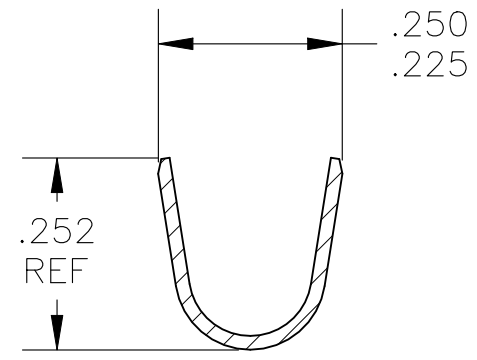
- 1 CONTINUOUS STRIP ON REELS
- 2 MATING TAB THK IS $.036 \pm .001$
- 3 WIRE SIZE IS #14-#10 AWG
- 4 INSULATION RANGE IS $.130-.180$ DIA



VIEW A-A



SECT B-B



SECT C-C

1742399-1
PART NO.

OBSOLETE

THIS DRAWING IS A CONTROLLED DOCUMENT.		DWN JR RUTH 26JAN06	TE Connectivity															
DIMENSIONS: INCHES		CHK P DESANTIS 26JAN06																
TOLERANCES UNLESS OTHERWISE SPECIFIED:		APVD P DESANTIS 26JAN06	NAME 250 SERIES FASTON RECEPTACLE															
<table border="0"> <tr><td>0 PLC</td><td>± -</td></tr> <tr><td>1 PLC</td><td>± -</td></tr> <tr><td>2 PLC</td><td>± -</td></tr> <tr><td>3 PLC</td><td>± .010</td></tr> <tr><td>4 PLC</td><td>± -</td></tr> <tr><td>ANGLES</td><td>± -</td></tr> </table>		0 PLC	± -	1 PLC	± -	2 PLC	± -	3 PLC	± .010	4 PLC	± -	ANGLES	± -	PRODUCT SPEC -	SIZE	CAGE CODE	DRAWING NO	RESTRICTED TO
0 PLC	± -																	
1 PLC	± -																	
2 PLC	± -																	
3 PLC	± .010																	
4 PLC	± -																	
ANGLES	± -																	
MATERIAL T4M BRASS		FINISH .000150 MIN SILVER	WEIGHT 0.000000	A3	00779	C-1742399	-											
CUSTOMER DRAWING			SCALE 4:1	SHEET 1 OF 1	REV A2													