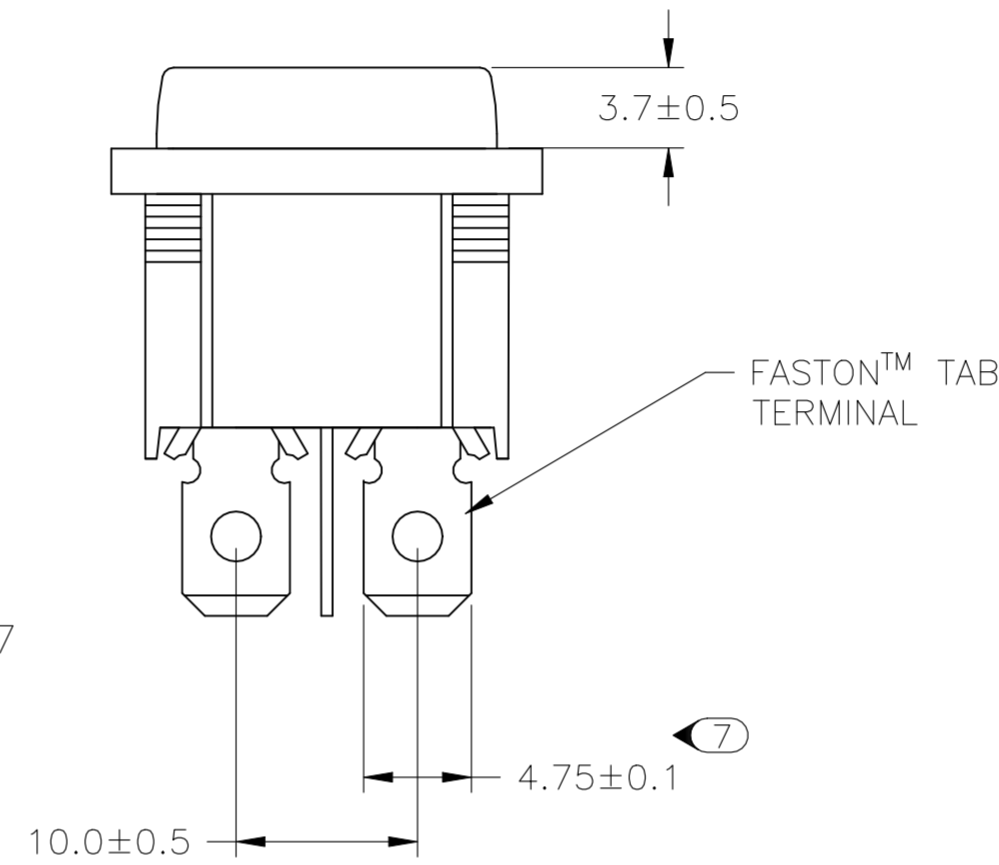
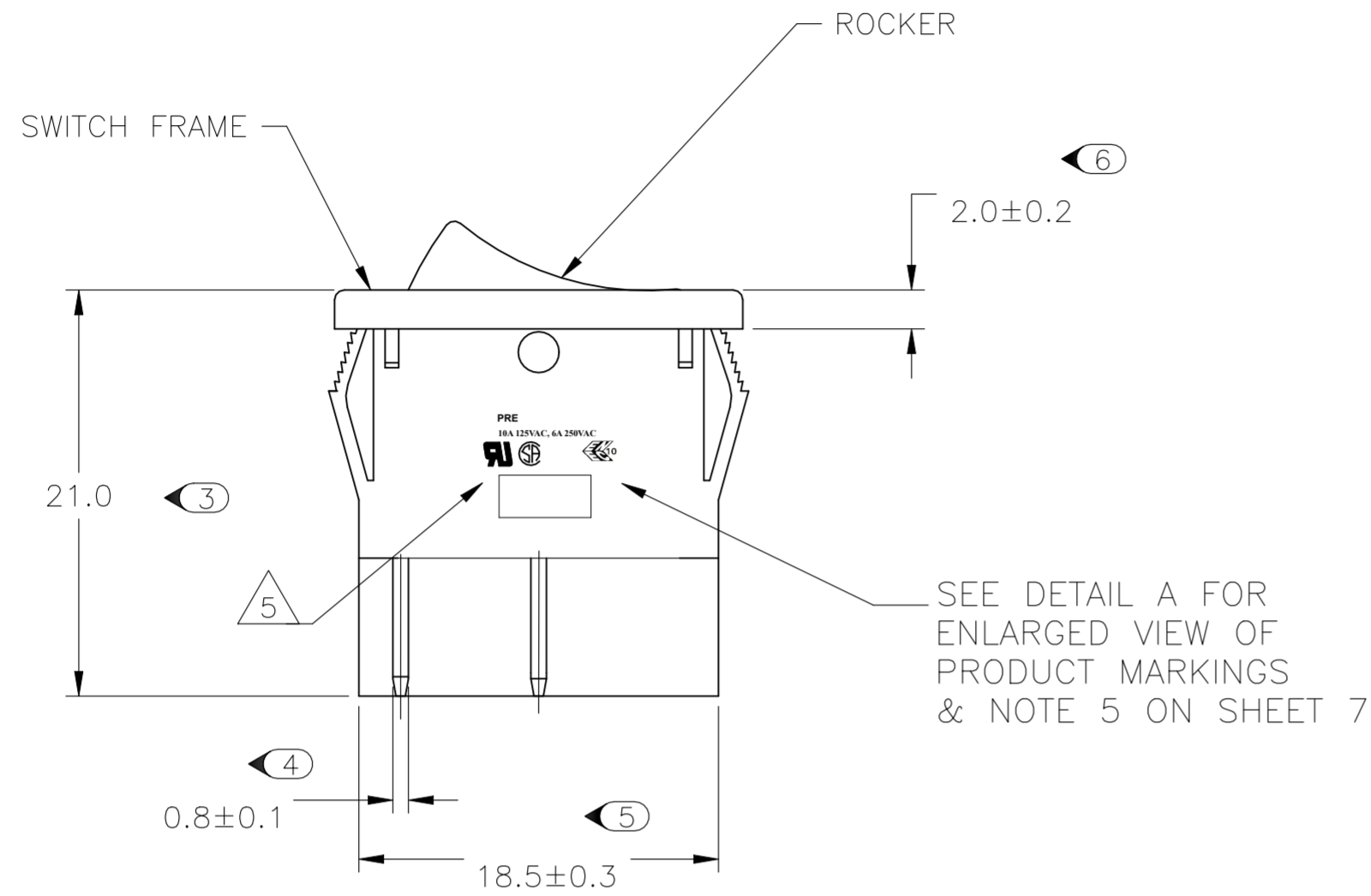
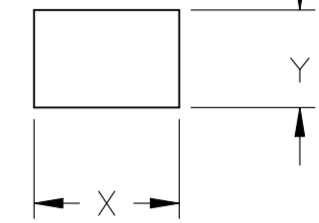


REVISIONS					
P	LTR	DESCRIPTION	DATE	DWN	APVD
F		REVISED PER ECO-20-013571	17FEB2021	SR	JB

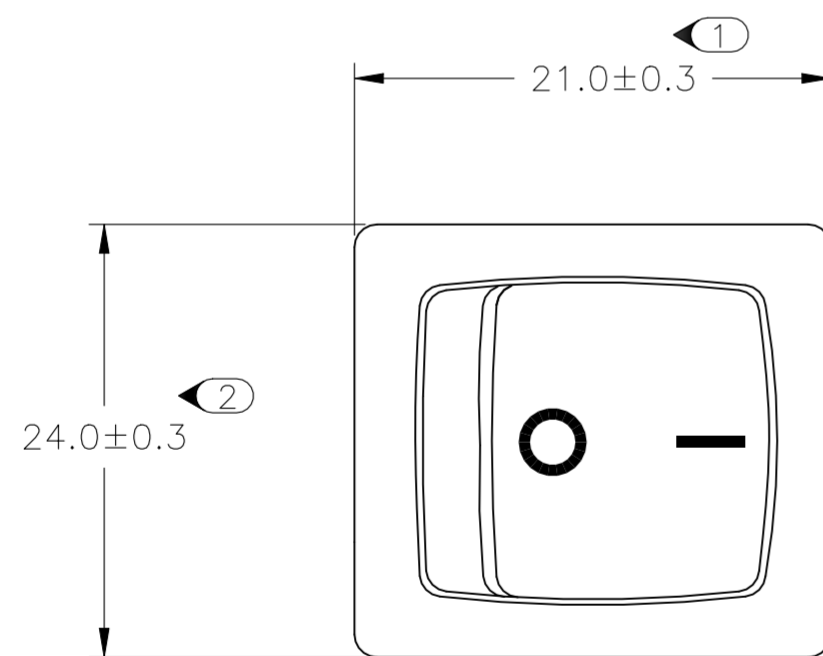
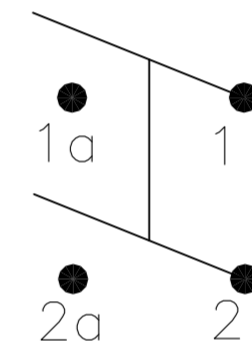


PANEL CUT OUT



2.00-3.00	20.20	22.20
1.25-2.00	19.60	22.20
0.75-1.25	19.40	22.20
PANEL THICKNESS	X	Y

CIRCUIT DIAGRAM

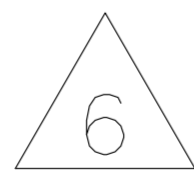


**PRODUCT MARKING  
DETAIL A**

**PRE  
10A 125VAC, 6A 250VAC**



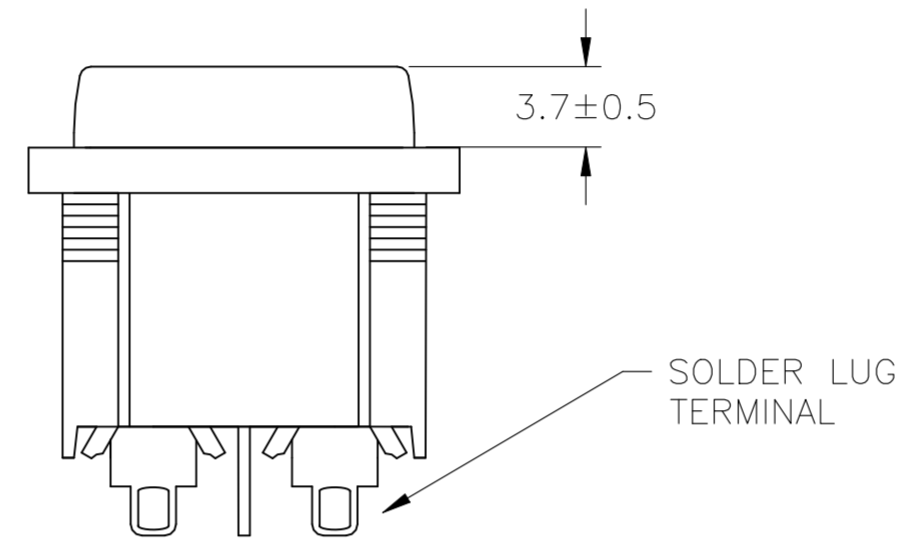
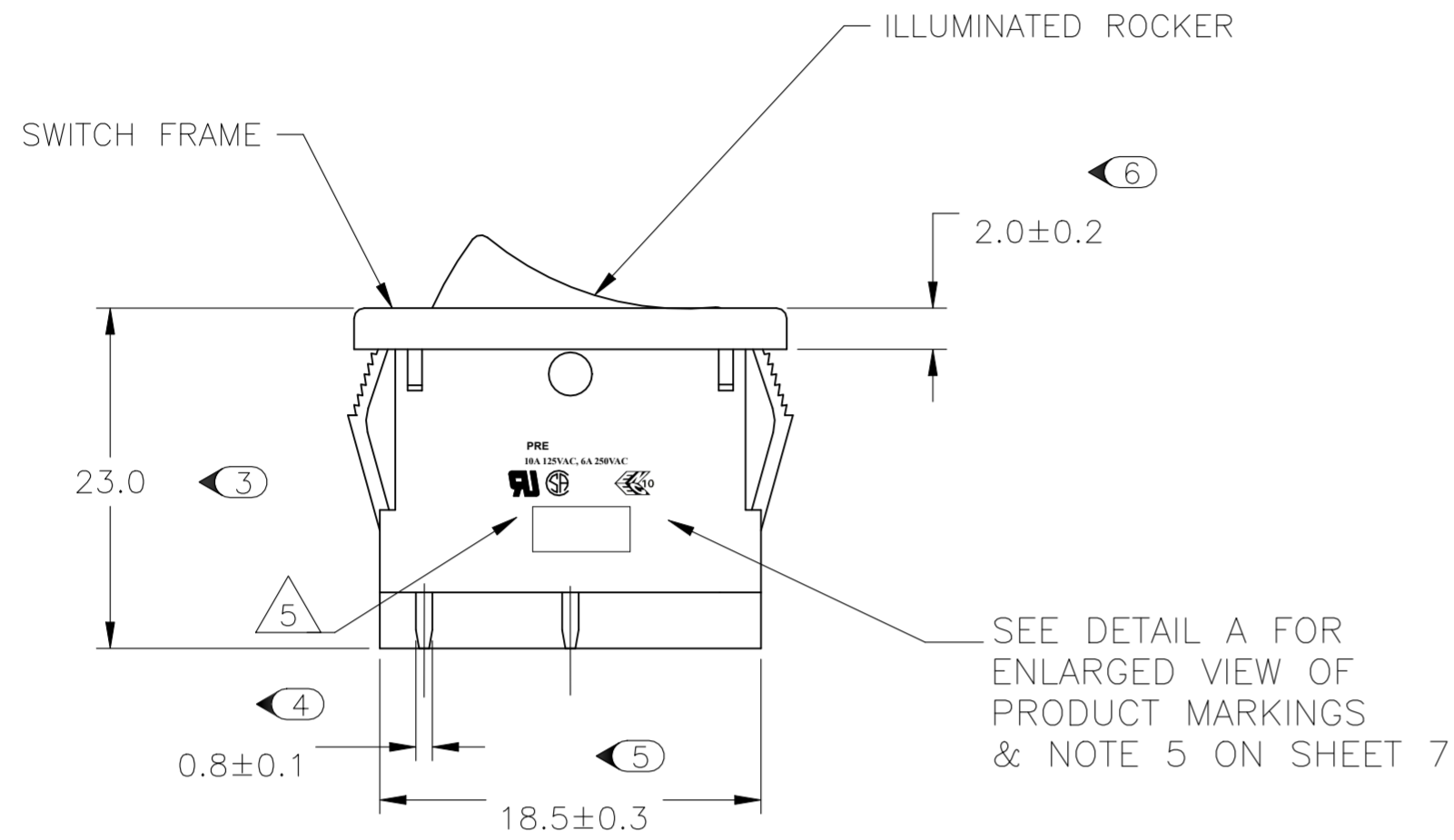
TYCO ELECTRONICS LOGO  
PER TEC-202-36



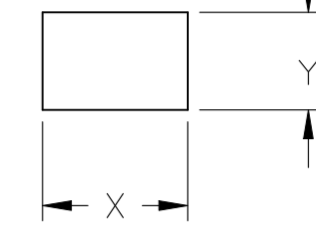
1634200-2 SHOWN ON-OFF

THIS DRAWING IS A CONTROLLED DOCUMENT.		DWN SA008712 2-4-07	TE Connectivity Ltd.	
DIMENSIONS: mm		CHK -	NAME	
TOLERANCES UNLESS OTHERWISE SPECIFIED:		APVD -	POWER ROCKER SWITCH 19,4MM X 22,2mm PANEL SIZE DPST, NON-ILLUMINATED	
0 PLC ± -		PRODUCT SPEC -	SIZE A2	RESTRICTED TO -
1 PLC ± -		APPLICATION SPEC -	CAGE CODE 00779	DRAWING NO C=1634200
2 PLC ± -		WEIGHT -	SCALE 3:1	SHEET 1 OF 7
3 PLC ± -		MATERIAL -	REV F	
4 PLC ± -		FINISH -		
ANGLES ± -				
CUSTOMER DRAWING				

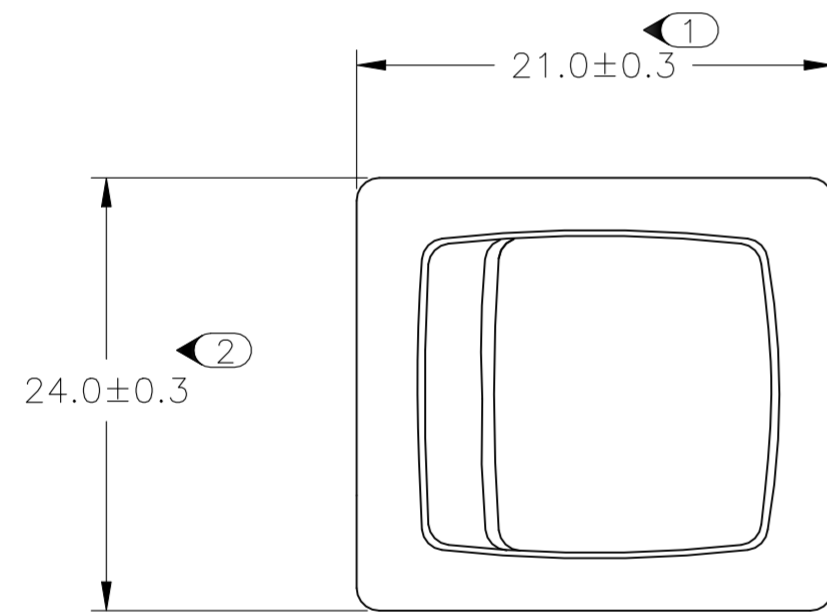
REVISIONS					
P	LTR	DESCRIPTION	DATE	DWN	APVD
-	-	SEE SHEET 1	-	-	-



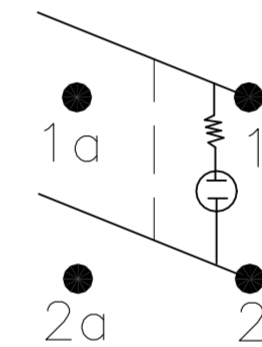
PANEL CUT OUT



2.00-3.00	20.20	22.20
1.25-2.00	19.60	22.20
0.75-1.25	19.40	22.20
PANEL THICKNESS	X	Y



CIRCUIT DIAGRAM



**PRODUCT MARKING  
DETAIL A**

**PRE  
10A 125VAC, 6A 250VAC**

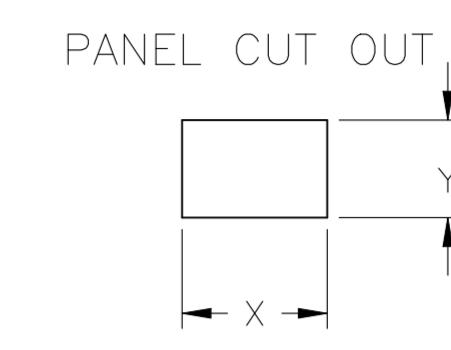
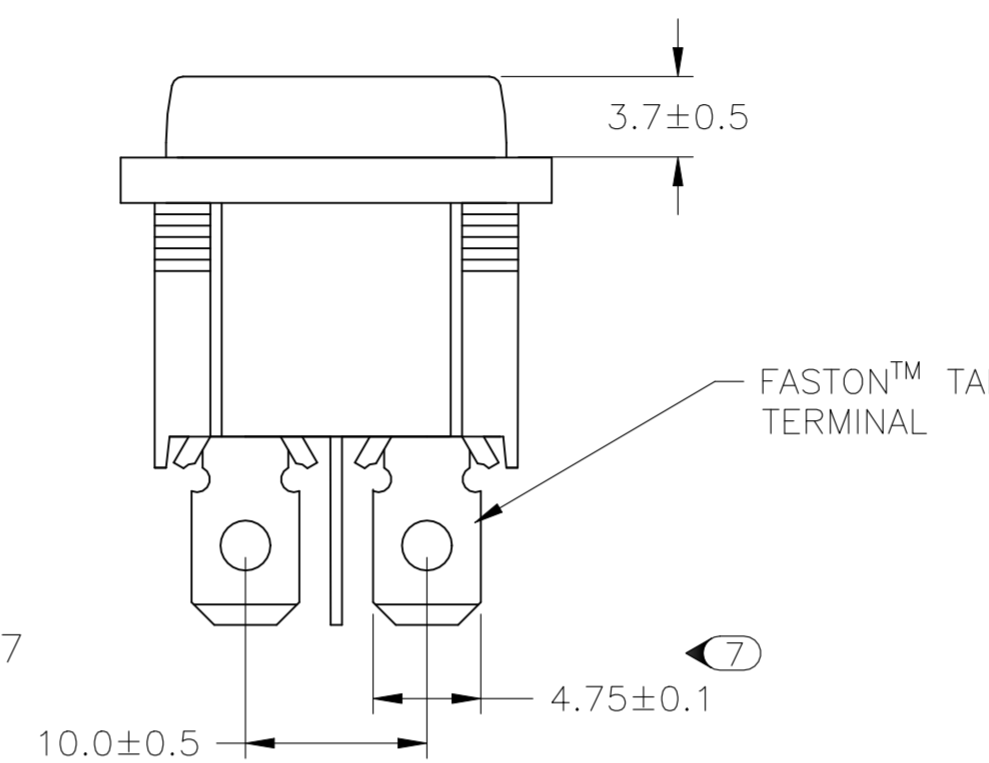
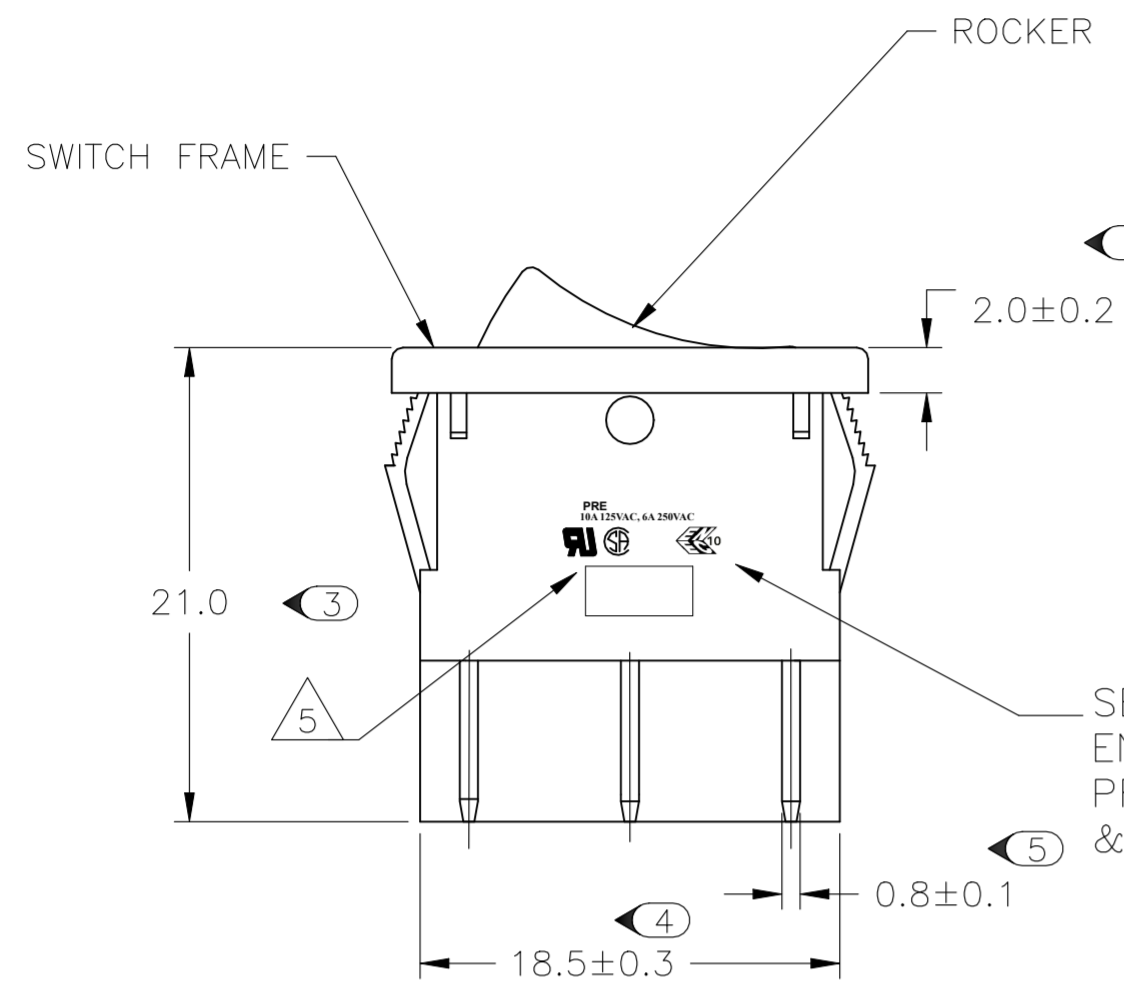


TYCO ELECTRONICS LOGO  
PER TEC-202-36

7 OBSOLETE 1634200-8 SHOWN ON-OFF ILLUMINATED

THIS DRAWING IS A CONTROLLED DOCUMENT.		DWN SA008712 2-4-07	TE Connectivity Ltd.	
DIMENSIONS: mm		CHK -	NAME POWER ROCKER SWITCH 19,4MM X 22,2mm PANEL SIZE DPST, NON-ILLUMINATED	
TOLERANCES UNLESS OTHERWISE SPECIFIED:		APVD -	PRODUCT SPEC -	
0 PLC ± -		PRODUCT SPEC -	APPLICATION SPEC -	
1 PLC ± -		WEIGHT -	SIZE A2	CAGE CODE 00779
2 PLC ± -		MATERIAL -	DRAWING NO C=1634200	RESTRICTED TO -
3 PLC ± -		FINISH -	SCALE 3:1	SHEET 2 OF 7
4 PLC ± -			REV F	
ANGLES ± -				
CUSTOMER DRAWING				

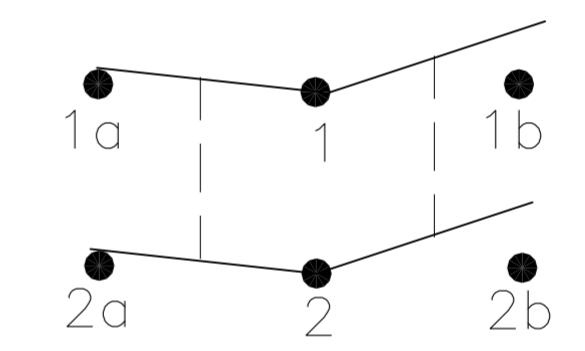
REVISIONS					
P	LTR	DESCRIPTION	DATE	DWN	APVD
-	-	SEE SHEET 1	-	-	-



2.00-3.00	20.20	22.20
1.25-2.00	19.60	22.20
0.75-1.25	19.40	22.20
PANEL THICKNESS	X	Y

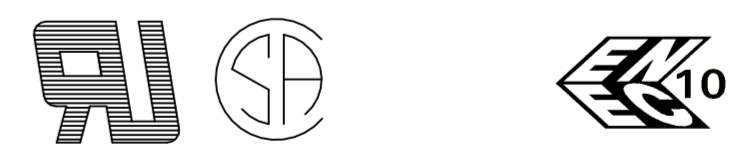
SEE DETAIL A FOR ENLARGED VIEW OF PRODUCT MARKINGS & NOTE 5 ON SHEET 7

CIRCUIT DIAGRAM



PRODUCT MARKING  
DETAIL A

**PRE**  
**10A 125VAC, 6A 250VAC**

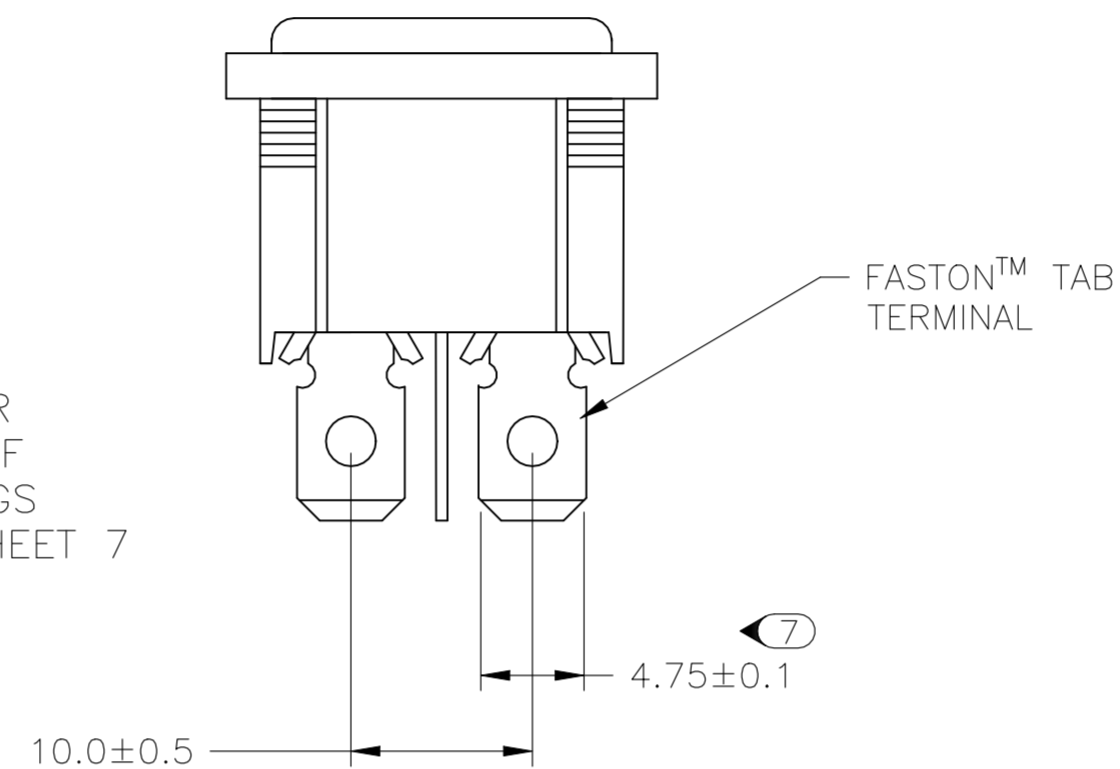
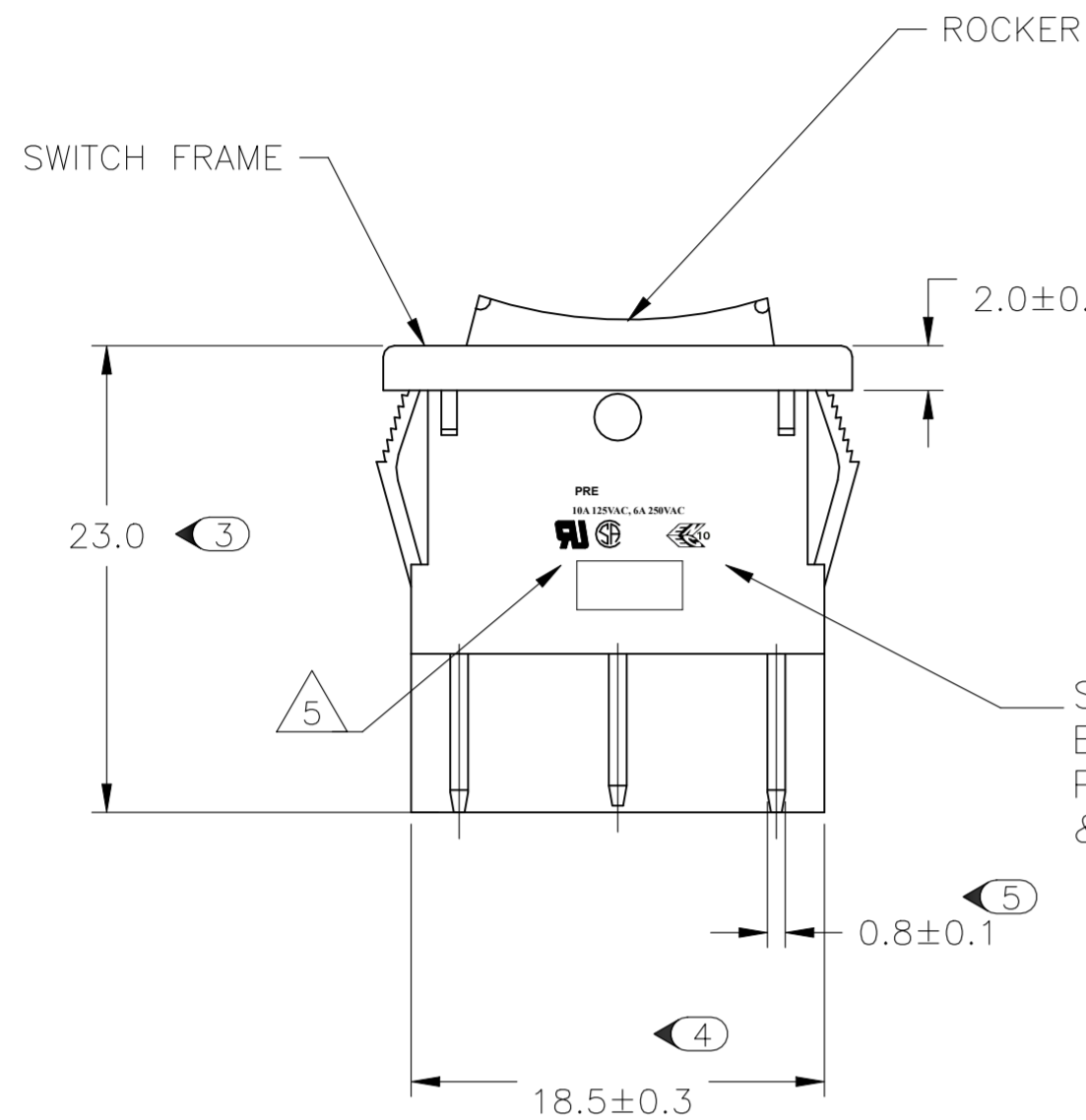


TYCO ELECTRONICS LOGO  
PER TEC-202-36

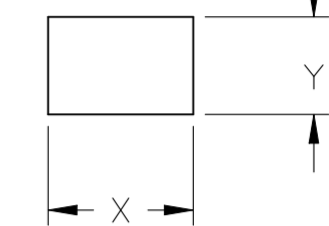
8 1-1634200-2 SHOWN ON-ON

THIS DRAWING IS A CONTROLLED DOCUMENT.		DWN SA008712	2-4-07	TE Connectivity Ltd.	
DIMENSIONS: mm		CHK -	APVD -		
TOLERANCES UNLESS OTHERWISE SPECIFIED:		PRODUCT SPEC		POWER ROCKER SWITCH 19,4MM X 22,2mm	
0 PLC ± -		APPLICATION SPEC		PANEL SIZE DPST, NON-ILLUMINATED	
1 PLC ± -		WEIGHT -		SIZE A2	RESTRICTED TO -
2 PLC ± -		CAGE CODE 00779		DRAWING NO C=1634200	
3 PLC ± -		SCALE 3:1		SHEET 3 OF 7	REV F
4 PLC ± -		CUSTOMER DRAWING			
ANGLES ± -					
FINISH -					

REVISIONS					
P	LTR	DESCRIPTION	DATE	DWN	APVD
-	-	SEE SHEET 1	-	-	-

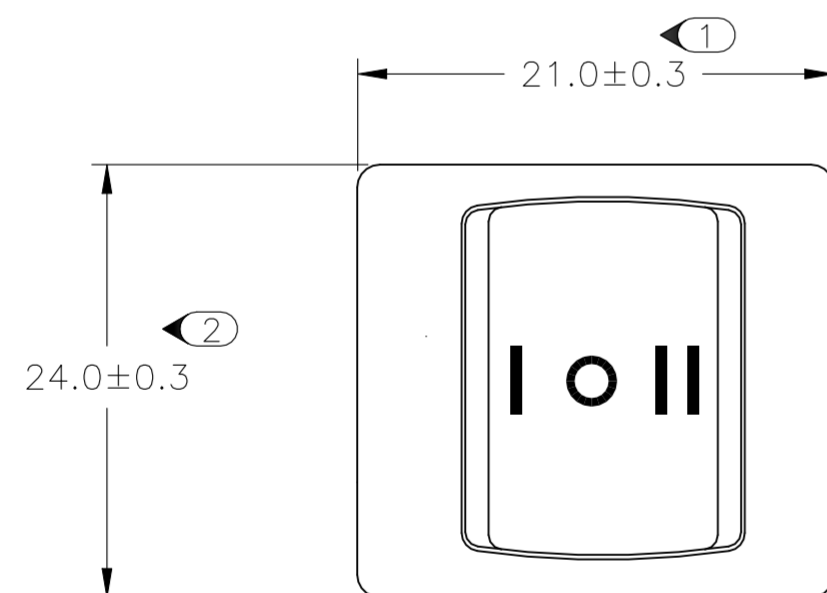


PANEL CUT OUT

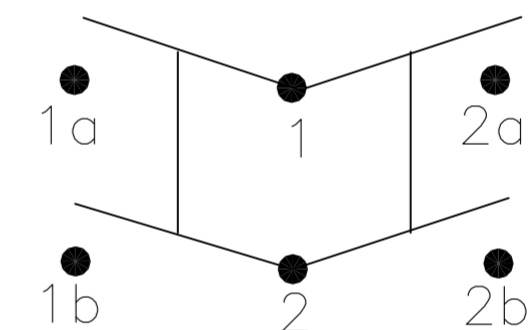


2.00-3.00	20.20	22.20
1.25-2.00	19.60	22.20
0.75-1.25	19.40	22.20
PANEL THICKNESS	X	Y

SEE DETAIL A FOR ENLARGED VIEW OF PRODUCT MARKINGS & NOTE 5 ON SHEET 7



CIRCUIT DIAGRAM



**PRODUCT MARKING  
DETAIL A**

**PRE  
10A 125VAC, 6A 250VAC**

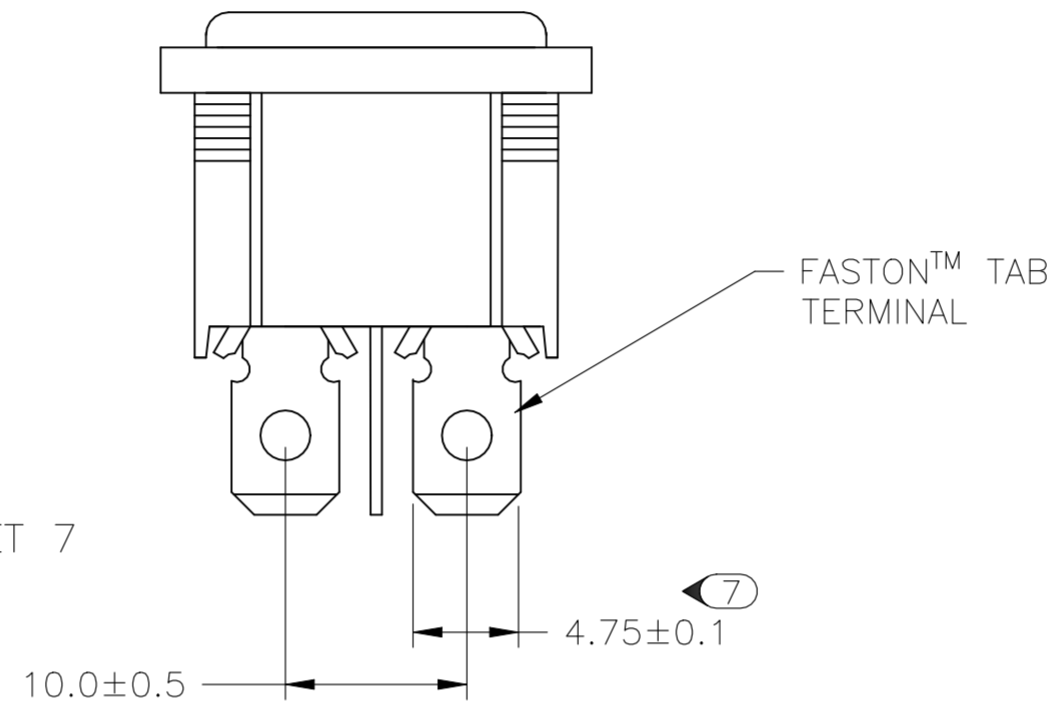
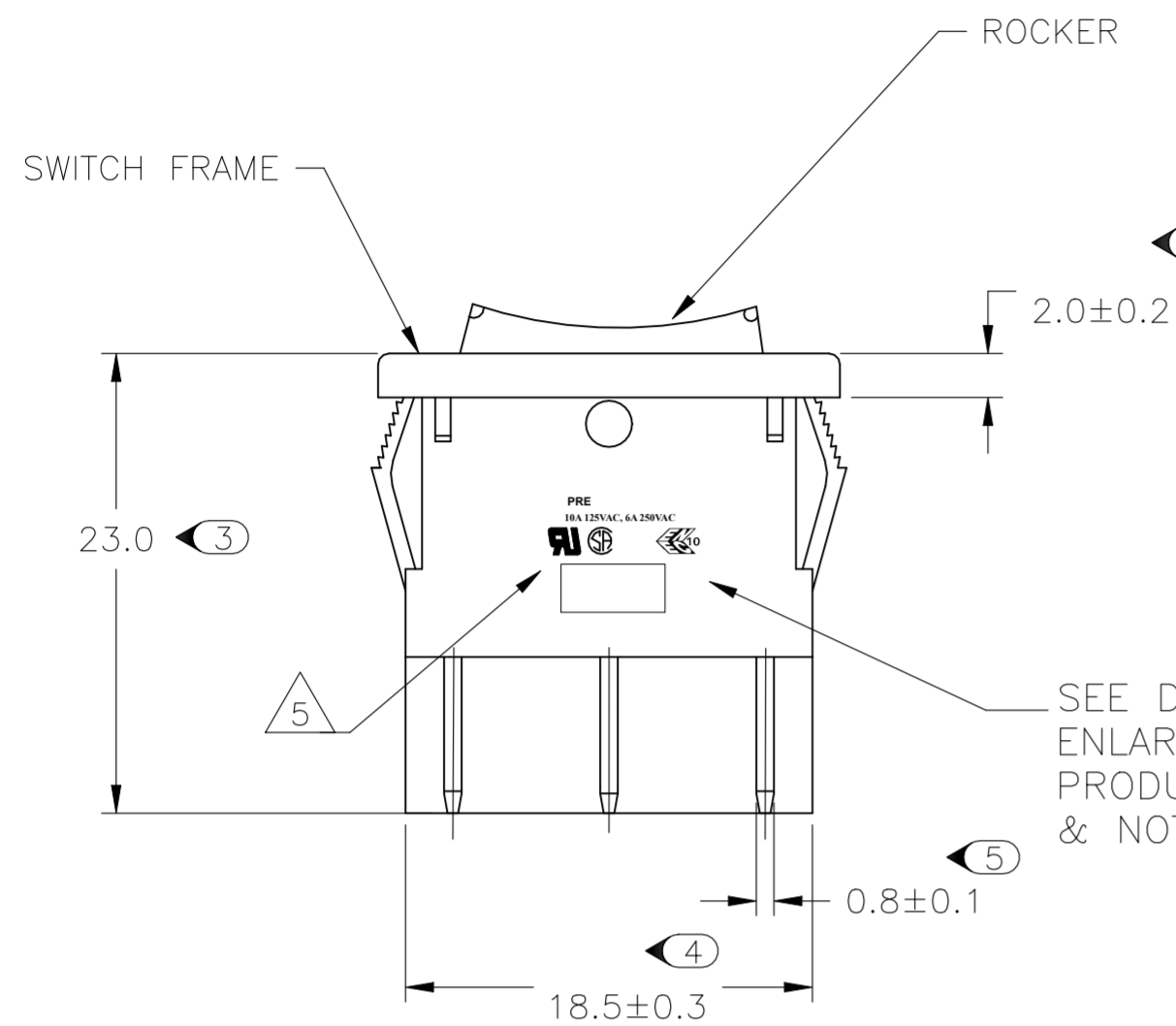


TYCO ELECTRONICS LOGO  
PER TEC-202-36

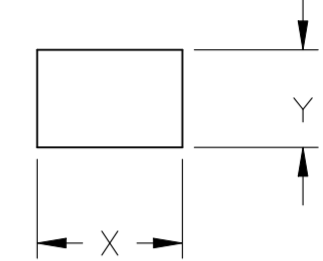
9 1-1634200-7 SHOWN ON-OFF-ON

THIS DRAWING IS A CONTROLLED DOCUMENT.		DWN SA008712 2-4-07	TE Connectivity Ltd.	
DIMENSIONS: mm		CHK -	NAME	
TOLERANCES UNLESS OTHERWISE SPECIFIED:		APVD -	POWER ROCKER SWITCH 19,4MM X 22,2mm	
0 PLC ± -	1 PLC ± -	PRODUCT SPEC -	PANEL SIZE DPST, NON-ILLUMINATED	
2 PLC ± -	3 PLC ± -	APPLICATION SPEC -	SIZE A2	CAGE CODE 00779
4 PLC ± -	ANGLES ± -	WEIGHT -	DRAWING NO C=1634200	RESTRICTED TO -
MATERIAL -	FINISH -	CUSTOMER DRAWING	SCALE 3:1	SHEET 4 OF 7
			REV F	

REVISIONS					
P	LTR	DESCRIPTION	DATE	DWN	APVD
-	-	SEE SHEET 1	-	-	-

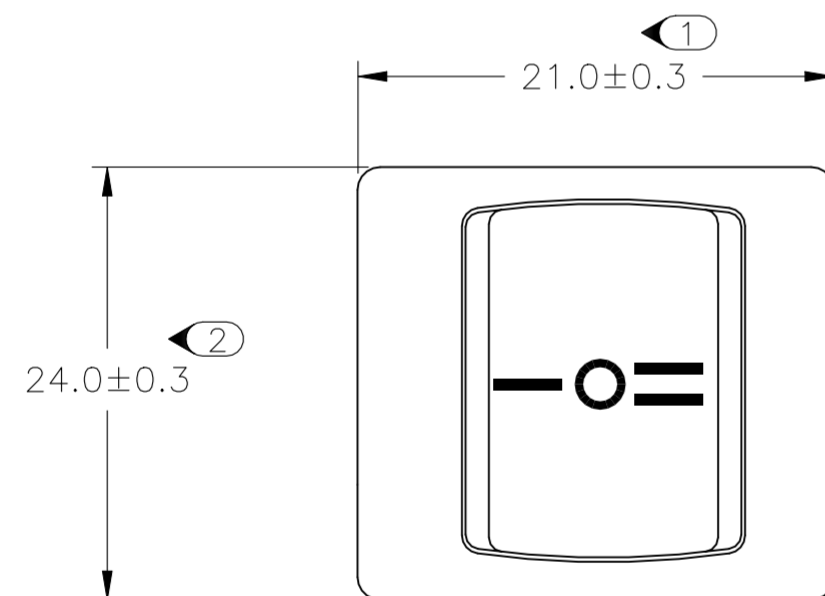
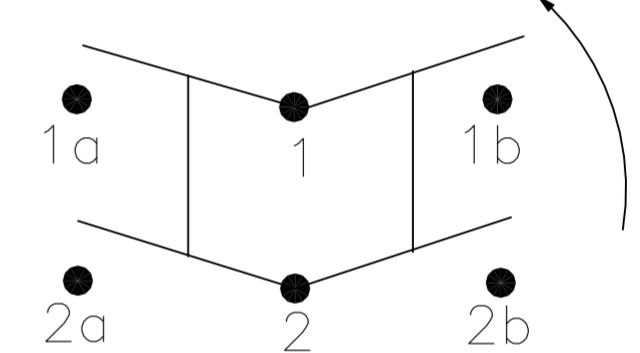


PANEL CUT OUT



2.00-3.00	20.20	22.20
1.25-2.00	19.60	22.20
0.75-1.25	19.40	22.20
PANEL THICKNESS	X	Y

CIRCUIT DIAGRAM



**PRODUCT MARKING  
DETAIL A**

**PRE  
10A 125VAC, 6A 250VAC**

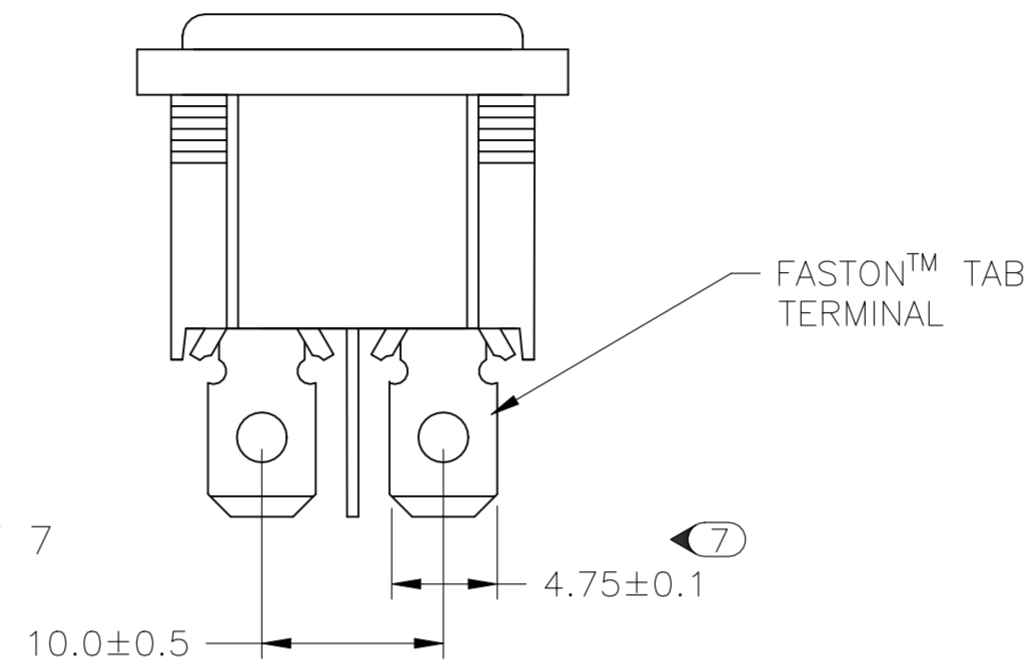
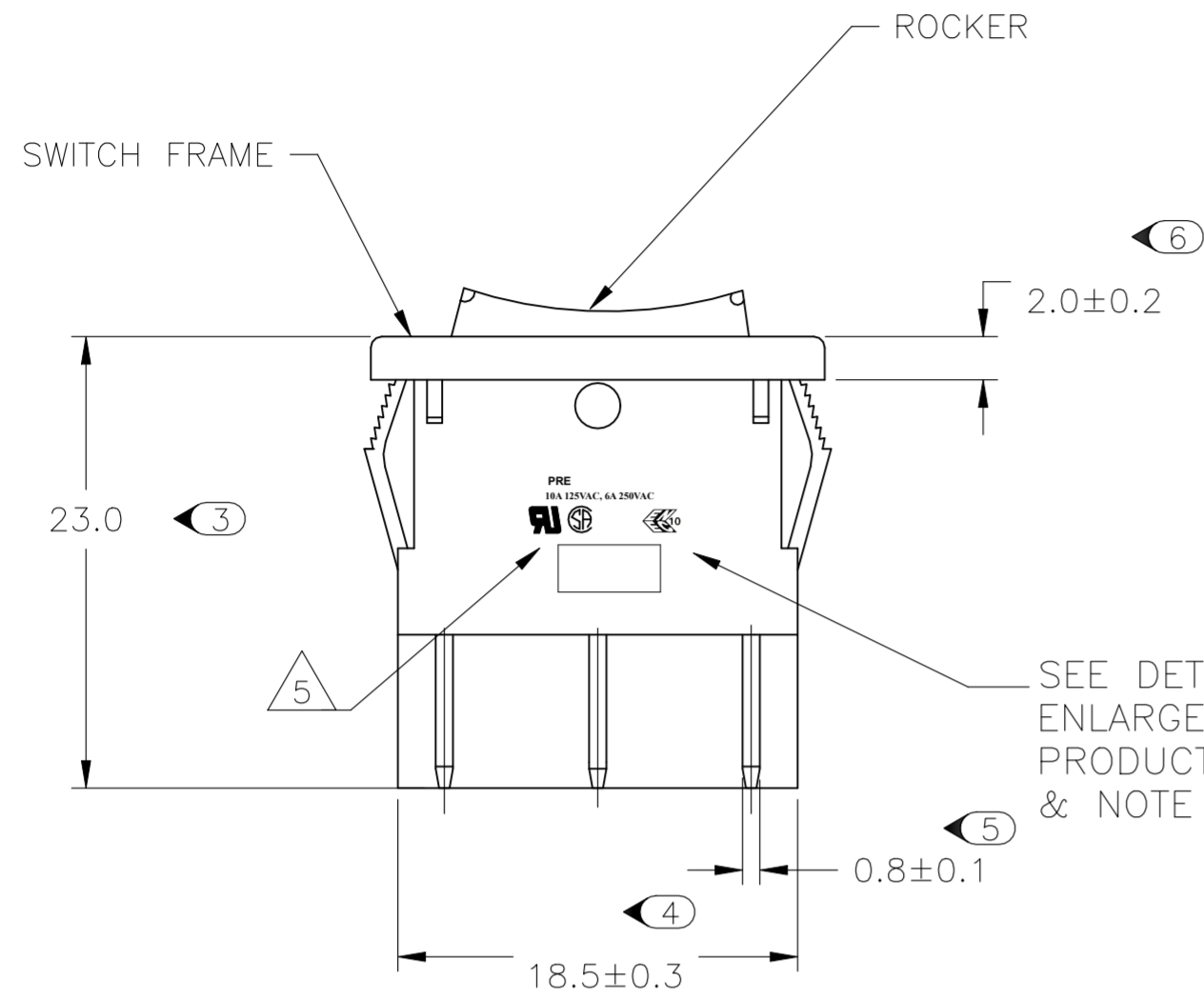


TYCO ELECTRONICS LOGO  
PER TEC-202-36

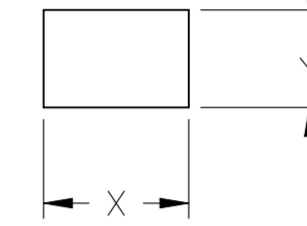
10 2-1634200-3 SHOWN ON-OFF-(ON)

THIS DRAWING IS A CONTROLLED DOCUMENT.		DWN SA008712 2-4-07	TE Connectivity Ltd.	
DIMENSIONS: mm		CHK -	NAME POWER ROCKER SWITCH 19,4MM X 22,2mm PANEL SIZE DPST, NON-ILLUMINATED	
TOLERANCES UNLESS OTHERWISE SPECIFIED:		APVD -	PRODUCT SPEC -	
0 PLC ± -		PRODUCT SPEC -	APPLICATION SPEC -	
1 PLC ± -		WEIGHT -	SIZE A2	CAGE CODE 00779
2 PLC ± -		SCALE 3:1	DRAWING NO C=1634200	RESTRICTED TO -
3 PLC ± -		SHEET 5 OF 7	REV F	
4 PLC ± -				
ANGLES ± -				
FINISH -				
MATERIAL -				
CUSTOMER DRAWING				

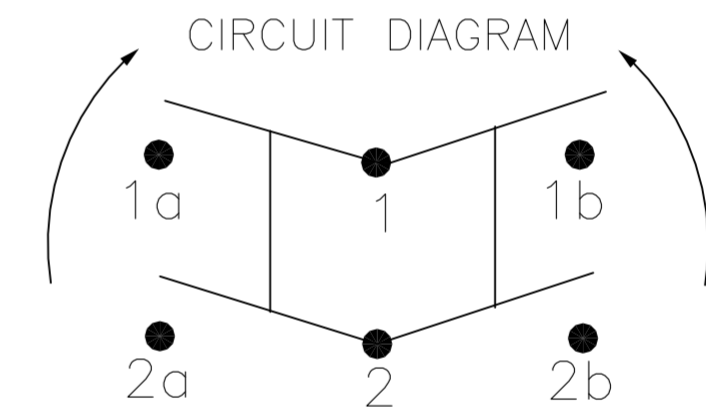
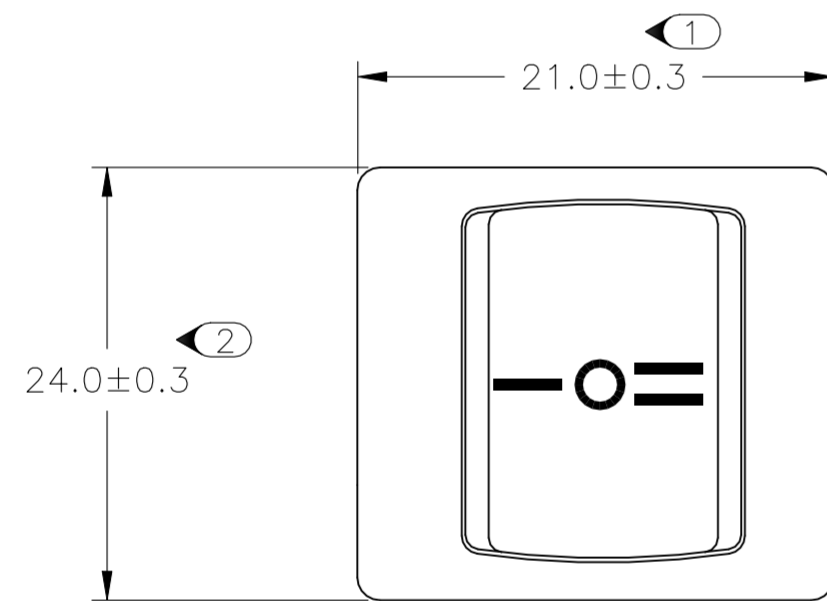
REVISIONS					
P	LTR	DESCRIPTION	DATE	DWN	APVD
-	-	SEE SHEET 1	-	-	-



PANEL CUT OUT



2.00-3.00	20.20	22.20
1.25-2.00	19.60	22.20
0.75-1.25	19.40	22.20
PANEL THICKNESS	X	Y



**PRODUCT MARKING  
DETAIL A**

**PRE  
10A 125VAC, 6A 250VAC**



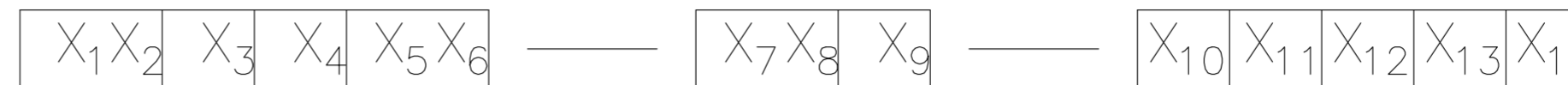
TYCO ELECTRONICS LOGO  
PER TEC-202-36

11 2-1634200-6 SHOWN (ON)-OFF-(ON)

THIS DRAWING IS A CONTROLLED DOCUMENT.		DWN SA008712 2-4-07	TE Connectivity Ltd.	
DIMENSIONS: mm		CHK -	NAME	
TOLERANCES UNLESS OTHERWISE SPECIFIED:		APVD -	POWER ROCKER SWITCH 19,4MM X 22,2mm	
0 PLC ± -		PRODUCT SPEC -	PANEL SIZE DPST, NON-ILLUMINATED	
1 PLC ± -		APPLICATION SPEC -	SIZE A2	RESTRICTED TO -
2 PLC ± -		WEIGHT -	CAGE CODE 00779	DRAWING NO C=1634200
3 PLC ± -		CUSTOMER DRAWING	SCALE 3:1	SHEET 6 OF 7
4 PLC ± -			REV F	
ANGLES ± -				
FINISH -				

REVISIONS				
P	LTR	DESCRIPTION	DATE	APVD
-	-	SEE SHEET 1	-	-

### ALCOSWITCH PART NUMBER



1 MATERIALS:  
 HOUSING FRAME: NYLON 66.  
 ACTUATOR: NYLON 66/ PC(ILLUMINATED)  
 TERMINALS C1100R-1/2H WITH SILVER PLATED CONTACTS  
 AgALLOY

2 FINISH:  
 TERMINAL, ACTIVE CONTACTOR: 1.0µm [.000039] SILVER  
 PLUNGER: 3.0µm[.000118] NICKEL

3 ELECTRICAL SPECIFICATIONS:  
 CONTACT RESISTANCE : 50m ohm Max  
 DIELECTRIC STRENGTH : AC 1500V, 1 MINUTE  
 OPERATION TEMPERATURE: -20°C~85°C  
 INSULATION R: DC 500V 100M ohm MIN

4 CURRENT AND VOLTAGE 10A@125VAC/6A@250VAC

5 ELECTRICAL RATINGS, APPROVED AGENCY LOGOS,  
 TE LOGO PER TEC-202-36 APPROXIMATELY AS SHOWN  
 AND PART NUMBER CAN APPEAR ON EITHER SIDE  
 (FOR FULL DETAIL SEE INDIVIDUAL DRAWING)

6 ON-OFF, WITH OPAQUE, SINGLE-COLOR ROCKER BUTTON.

7 ON-OFF, WITH TRANSPARENT, LAMP-ILLUMINATED ROCKER  
 BUTTON.

8 ON-ON, WITH OPAQUE, SINGLE-COLOR ROCKER BUTTON.

9 ON-OFF-ON, WITH OPAQUE, SINGLE-COLOR ROCKER BUTTON.

10 ON-OFF-(ON), WITH OPAQUE, SINGLE-COLOR ROCKER  
 BUTTON.

11 (ON)-OFF-(ON), WITH OPAQUE, SINGLE-COLOR ROCKER  
 BUTTON.

12 REFER TO QIP DIMENSIONAL REPORT

13 2002/95/EC/(RoHS) COMPLIANT

14 NOTE REMOVED.

SWITCH TYPE: X1X2 = PR - POWER ROCKER

NOMINAL PANEL CUT OUT SIZE: X3 = E - 19.4X22.2 [.764x.874]

NUMBER OF POLES: X4 = D - DOUBLE

SWITCH FUNCTION: X5X6 = A1 -   
B1 -   
D1 -   
D3 -   
D4 -   
D5 -

CURRENT RATING: X7X8 = OZ -

TERMINAL TYPE: X9 = E - FASTON™ TAB  
L - SOLDER LUG

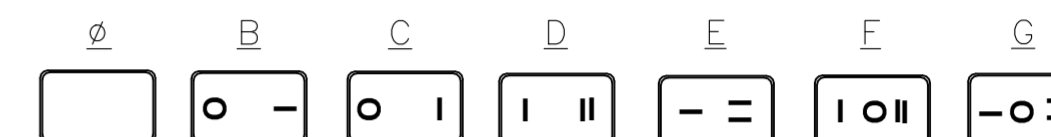
FRAME COLOR: X10 = B - BLACK  
W - WHITE

ROCKER COLOR: X11 = B - BLACK  
G - GREEN  
R - RED  
W - WHITE

SECONDARY ROCKER COLOR: X12 = Ø - NOT APPLICABLE

B - BLACK  
G - GREEN  
R - RED  
W - WHITE

LEGEND TEXT PATTERN: X13 =



LEGEND TEXT COLOR: X14 = Ø - NOT APPLICABLE

G - GREEN  
R - RED  
B - BLACK  
W - WHITE

	1	PREDA1-07F-BB000	1634200-1
	1	PREDA1-07F-BB0BW	1634200-2
	1	PREDA1-07F-BB0CW	1634200-3
	1	PREDA1-07L-BB000	1634200-4
	1	PREDA1-07L-BB0BW	1634200-5
	1	PREDA1-07L-BB0CW	1634200-6
OBSOLETE	2	PREDB1-07F-BR000	1634200-7
	2	PREDB1-07L-BR000	1634200-8
	2	PREDB1-07F-BG000	1634200-9
OBSOLETE	2	PREDB1-07L-BG000	1-1634200-0
	3	PREDD1-07F-BB000	1-1634200-1
	3	PREDD1-07F-BB0DW	1-1634200-2
	3	PREDD1-07F-BB0EW	1-1634200-3
OBSOLETE	3	PREDD1-07L-BB000	1-1634200-4
	3	PREDD1-07L-BB0DW	1-1634200-5
	3	PREDD1-07L-BB0EW	1-1634200-6
	4	PREDD3-07F-BB0FW	1-1634200-7
	4	PREDD3-07F-BB0GW	1-1634200-8
OBSOLETE	4	PREDD3-07L-BB0FW	1-1634200-9
	4	PREDD3-07L-BB0GW	2-1634200-0
	5	PREDD4-07F-BB000	2-1634200-1
	5	PREDD4-07F-BB0FW	2-1634200-2
	5	PREDD4-07F-BB0GW	2-1634200-3
OBSOLETE	6	PREDD5-07F-BB000	2-1634200-4
	6	PREDD5-07F-BB0FW	2-1634200-5
	6	PREDD5-07F-BB0GW	2-1634200-6
	<b>SHEET REF</b>	<b>ALCOSWITCH PART NUMBER.</b>	<b>TE PART NUMBER.</b>

THIS DRAWING IS A CONTROLLED DOCUMENT.		DWN SA008712	2-4-07	TE Connectivity Ltd.			
DIMENSIONS: mm		CHK -	APVD -			POWER ROCKER SWITCH 19,4MM X 22,2mm PANEL SIZE DPST, NON-ILLUMINATED	
TOLERANCES UNLESS OTHERWISE SPECIFIED:		PRODUCT SPEC -	APPLICATION SPEC -	SIZE A2	CAGE CODE 00779	DRAWING NO C=1634200	RESTRICTED TO -
MATERIAL -		FINISH -	WEIGHT -	SCALE 3:1	SHEET 7 OF 7	REV F	
CUSTOMER DRAWING							