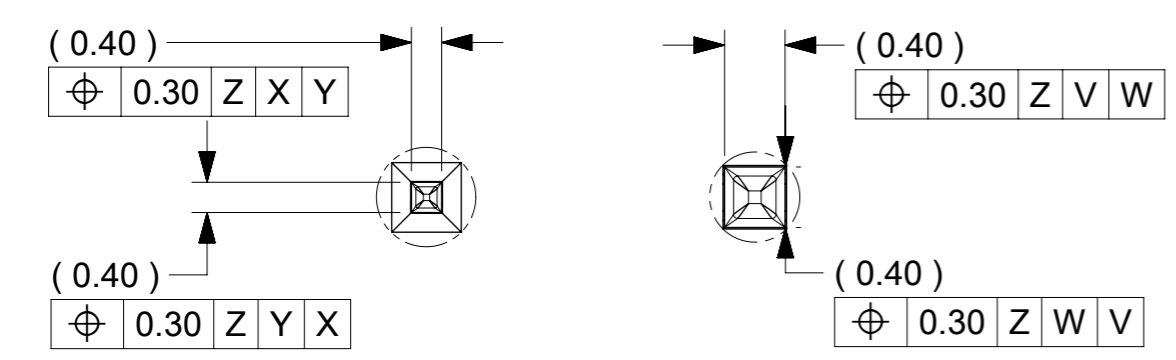
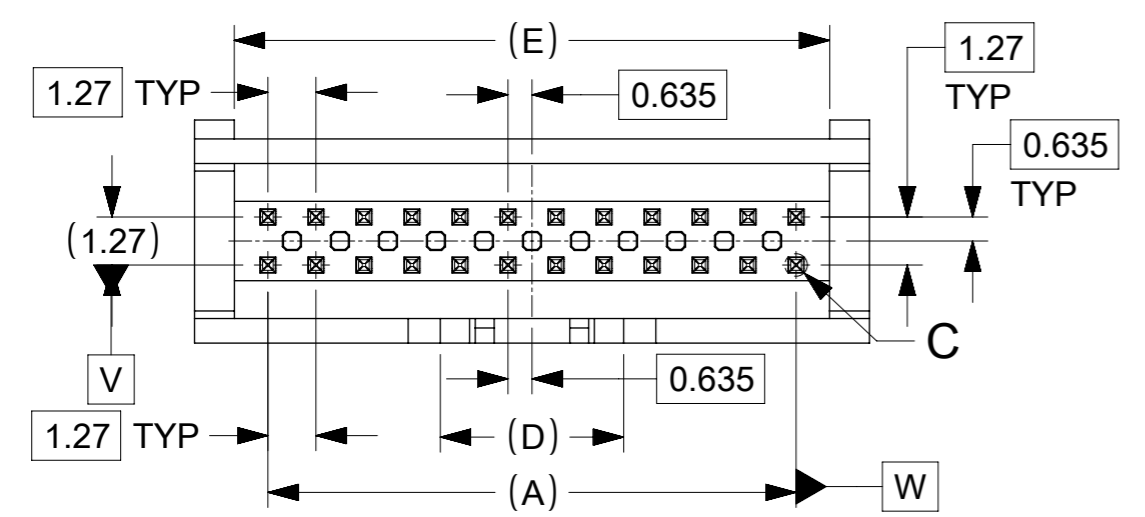


CKT SIZE	DIMENSION					
	A	B	C	D	E	F
4	1.27	3.25	5.15	-	3.05	3.04
6	2.54	4.52	6.42	4.85	4.32	4.31
8	3.81	5.79	7.69	4.85	5.59	5.58
10	5.08	7.06	8.96	4.85	8.86	8.85
12	6.35	8.33	10.23	4.85	8.13	8.12
14	7.62	9.60	11.50	4.85	9.40	9.39
16	8.89	10.87	12.77	4.85	10.67	10.66
18	10.16	12.14	14.04	4.85	11.94	11.93
20	11.43	13.41	15.31	4.85	13.21	13.20
22	12.70	14.68	16.58	4.85	14.48	14.47
24	13.97	15.95	17.85	4.85	15.75	15.74

DIMENSION G TAIL LENGTH	RECOMMENDED PCB THICKNESS
1.60	1.60
2.40	2.40
3.00	3.00



DETAIL B
SCALE 10:1

DETAIL C
SCALE 20:1

- NOTES:
- FOR ILLUSTRATION PURPOSES, 24 CIRCUIT SIZE WAFER IS SHOWN.
 - MATERIAL :
HOUSING : LCP, GLASS-FILLED, UL94V-0, BLACK
BANDOLIER PIN : 0.40MM SQ. COPPER ALLOY
 - FINISHES: SEE SHEET 2
 - PRODUCT SPECIFICATION: 2009890001_PS
 - PACKAGING SPECIFICATION: 2010220001_PK
 - POSITIONING TO BE CONTROLLED BASED ON PIN TIP
 - REFER TO SHEET 2 FOR PART OPTION & PART NUMBER.
 - MATES WITH: 78120 SERIES
 - PARTS CONFORMS TO CLASS "B" REQUIREMENT OF COSMETIC SPECIFICATION PS-45499-002
 - MOLEX LOGO AND CAVITY LOCATED AS SHOWN.
 - NON-FUNCTIONAL CORING IS SUBJECTED TO CHANGES WITHOUT NOTICE.

QUALITY SYMBOLS	THIS DRAWING CONTAINS INFORMATION THAT IS PROPRIETARY TO MOLEX ELECTRONIC TECHNOLOGIES, LLC AND SHOULD NOT BE USED WITHOUT WRITTEN PERMISSION			
	PRELIM. RELEASE	2017/03/09	2017/05/22	
▽A = 0	EC NO: 115238 DRWN: SCHEONG CHK'D: KHLIM APP: KHLIM	GENERAL TOLERANCES (UNLESS SPECIFIED)		DIMENSION UNITS
▽E = 0		ANGULAR TOL ± 3.0 °		SCALE
▽F = 0		4 PLACES ±	MM	NTS
▽ = 0		3 PLACES ±	DRWN BY	DATE
▽C = 0		2 PLACES ± 0.2	SCHEONG	2016/02/22
▽ = 0		1 PLACE ±	CHK'D BY	DATE
□ = 0	0 PLACES ±	GMENARLY	2016/11/18	
■ = 0	DRAFT WHERE APPLICABLE	APP'R BY	DATE	
▽ = 0	MUST REMAIN WITHIN DIMENSIONS	KHLIM	2016/11/24	
		DRAWING SIZE	THIRD ANGLE PROJECTION	<p>1.27MM PITCH SLIM-GRID VERTICAL THROUGH HOLE SHROUDED HEADER</p>
		A3		PRODUCT CUSTOMER DRAWING
				SERIES: 201022 MATERIAL NUMBER: SEE TABLE CUSTOMER: GENERAL MARKET
				DOCUMENT NUMBER: 2010220024 DOC TYPE: PSD DOC PART: 000 SHEET NUMBER: 1 OF 2

