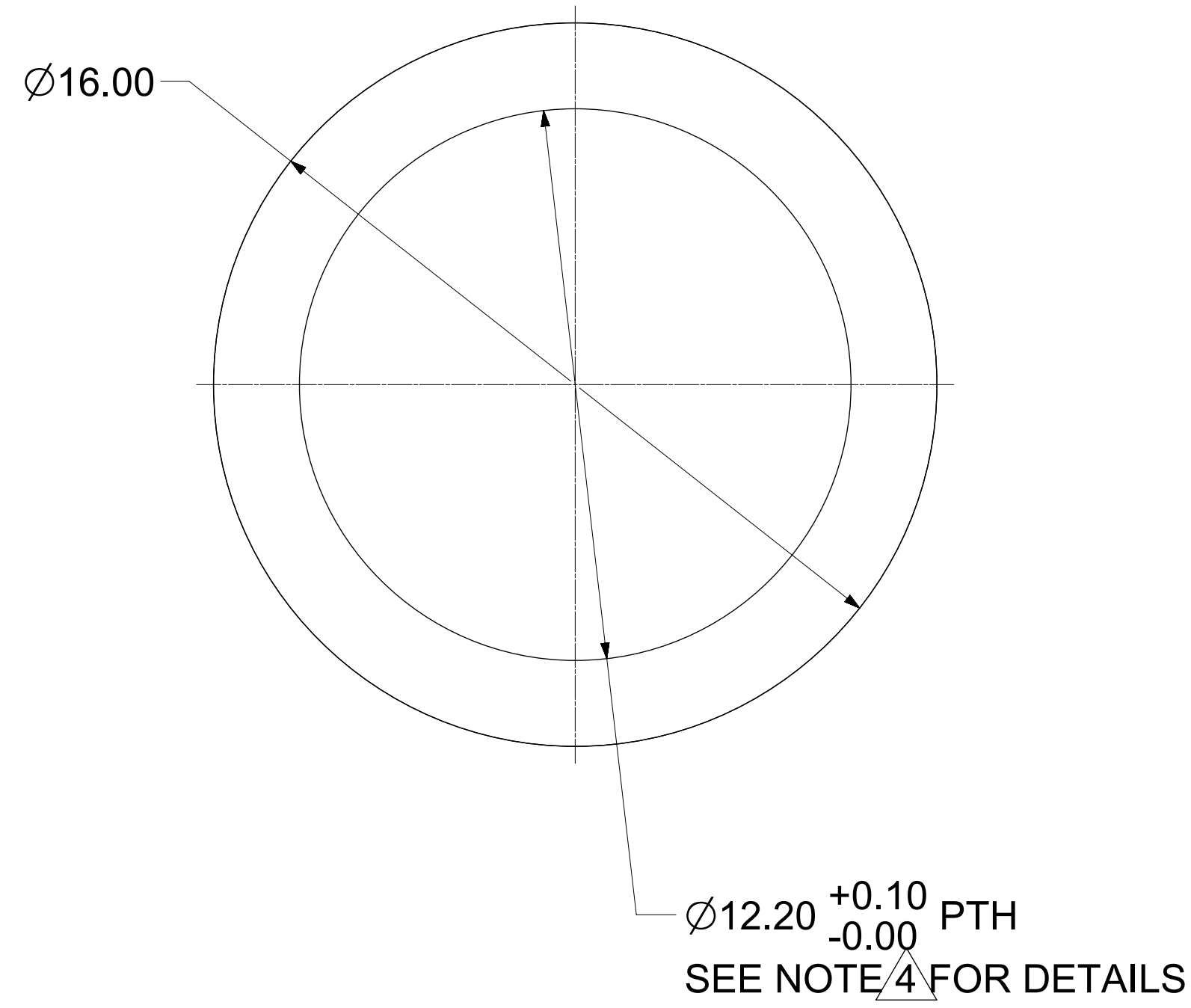


REMOVABLE PICK AND PLACE CAP SHOWN

RECOMMENDED PCB LAYOUT

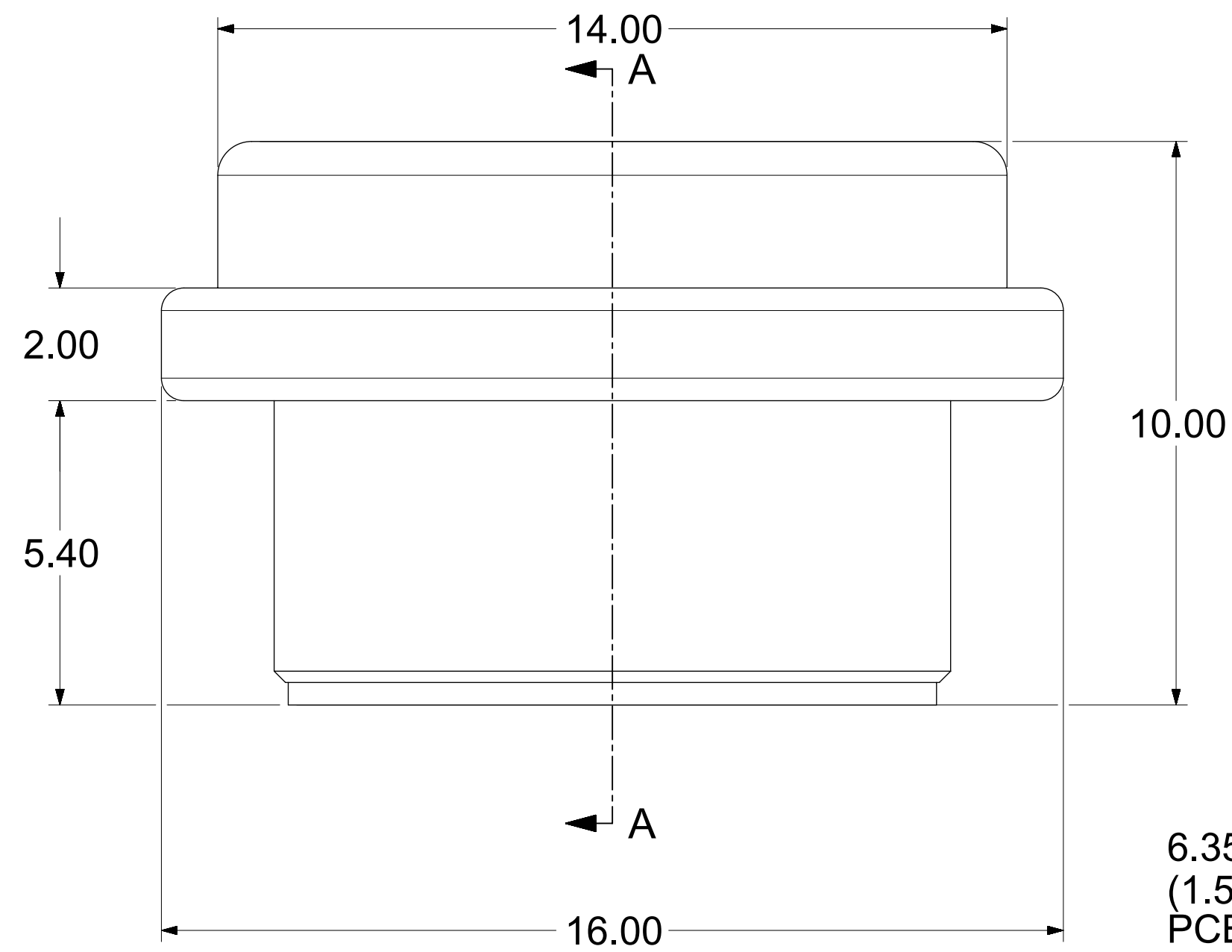


PIN ASSEMBLY

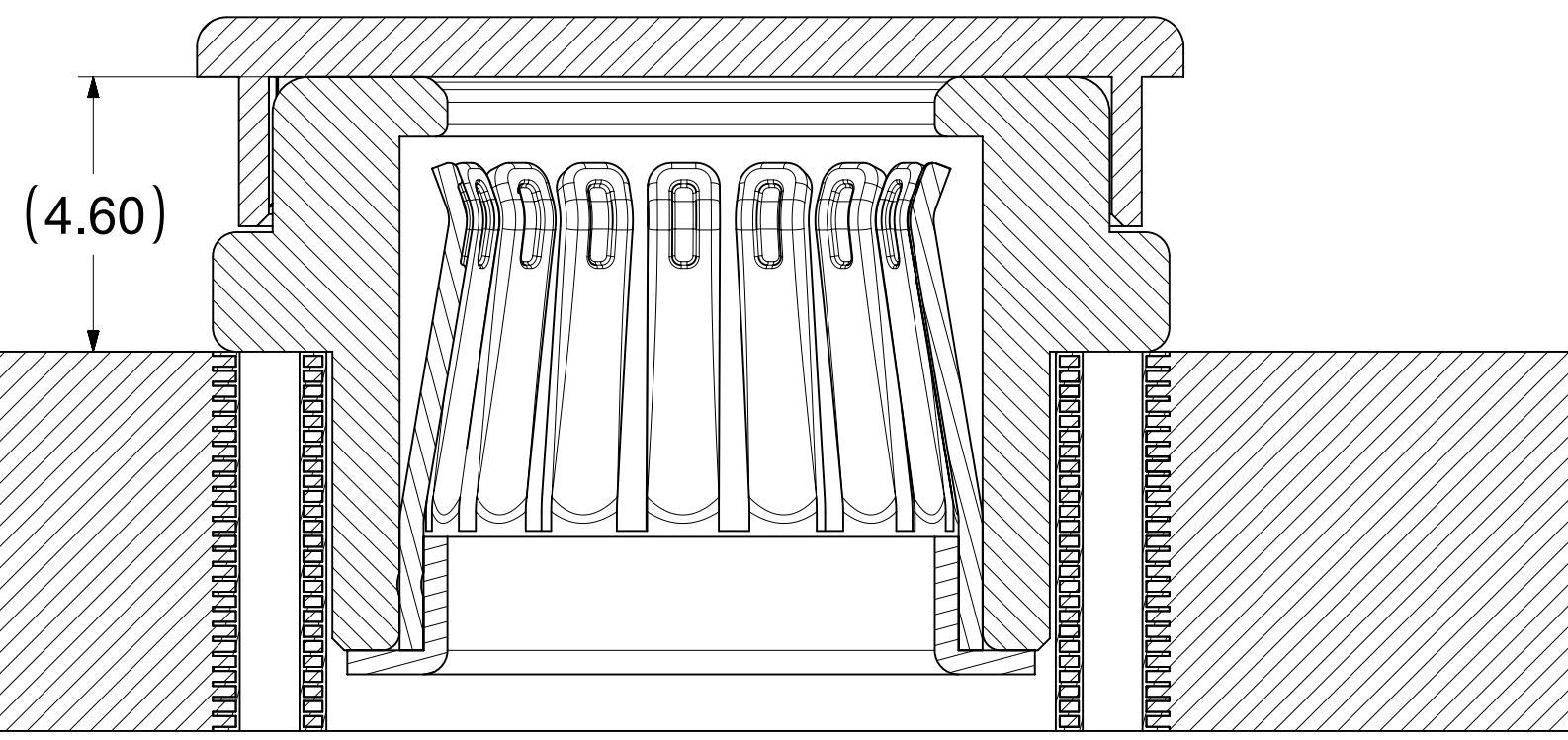
SOCKET ASSEMBLY

MINIMUM MATE HEIGHT (SEE NOTE 2)

MATING PROFILE



6.35 SHOWN
(1.58MM MINIMUM RECOMMENDED PCB THICKNESS)



SECTION A-A

NOTES:

1. MATERIALS:
 PICK AND PLACE CAP: LCP UL94, V-0 COLOR BLACK
 BASE METAL: HIGH CONDUCTIVE COPPER ALLOY
 PLATING ON CONTACTS: 0.75 MICRON MIN GOLD OVER 1.27 MICRON MIN NICKEL
 PLATING ON BODY: 3.18 MICRON MIN SILVER OVER 1.27 MICRON MIN NICKEL
2. MATES WITH STANDARD PIN DRAWINGS:
 - i. 8.0MM SMT DRAWING 2032633080-SD, MIN. MATING DISTANCE 6.75MM
 - ii. 8.0MM PRESS FIT DRAWING 2032630001-SD, MIN. MATING DISTANCE 7.1MM
 - iii. 8.0MM SCREW MOUNT DRAWING 2032634185-SD, MIN. MATING DISTANCE 10.1MM
3. PRODUCT SPECIFICATION: 2043130001-PS
4. APPLICATION SPECIFICATION: 2043130001-AS.
 SEE APPLICATION SPEC FOR SOLDERING INFORMATION.
5. PACKAGING SPECIFICATION: 2043180001-PK.
6. SILVER COMPONENTS WILL BE SUPPLIED TARNISH FREE BUT MAY TARNISH OVER TIME.

THIS DRAWING CONTAINS INFORMATION THAT IS PROPRIETARY TO MOLEX ELECTRONIC TECHNOLOGIES, LLC AND SHOULD NOT BE USED WITHOUT WRITTEN PERMISSION

DIMENSION UNITS	SCALE	CURRENT REV DESC: PK SPEC UPDATED					
mm	NTS						
GENERAL TOLERANCES (UNLESS SPECIFIED)				PRODUCT CUSTOMER DRAWING			
ANGULAR TOL	± 0.5°	EC NO: 620437		DOCUMENT NUMBER	DOC TYPE	DOC PART	REVISION
4 PLACES	±	DRWN: RLOW 2019/06/17		2043180001-SD	PSD	000	A2
3 PLACES	±	CHK'D: BPISZCZOR 2019/07/23					
2 PLACES	± 0.15	APPR: BPISZCZOR 2019/07/23					
1 PLACE	± 0.25	INITIAL REVISION:					
0 PLACES	±	DRWN: TOMLU 2017/03/10					
DRAFT WHERE APPLICABLE MUST REMAIN WITHIN DIMENSIONS		APPR: JJONIAK 2018/06/14					
THIRD ANGLE PROJECTION		DRAWING		SERIES		SHEET NUMBER	
		D-SIZE		204318		1 OF 1	
		MATERIAL NUMBER		CUSTOMER			
		2043180001		GENERAL MARKET			