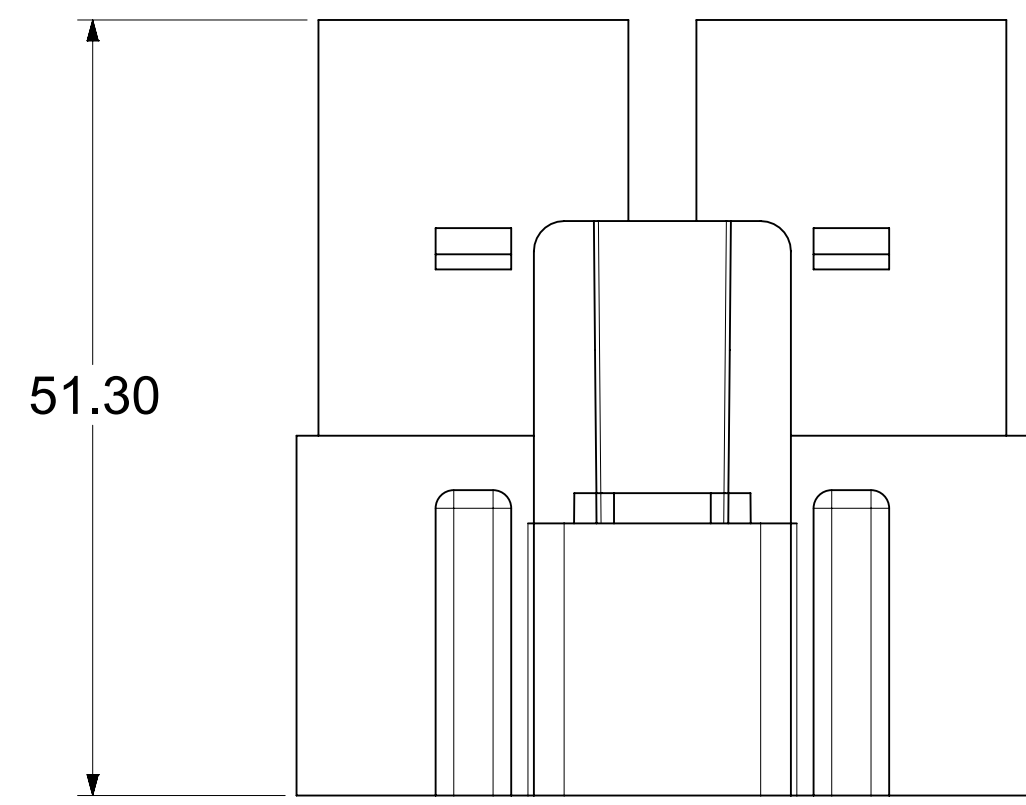
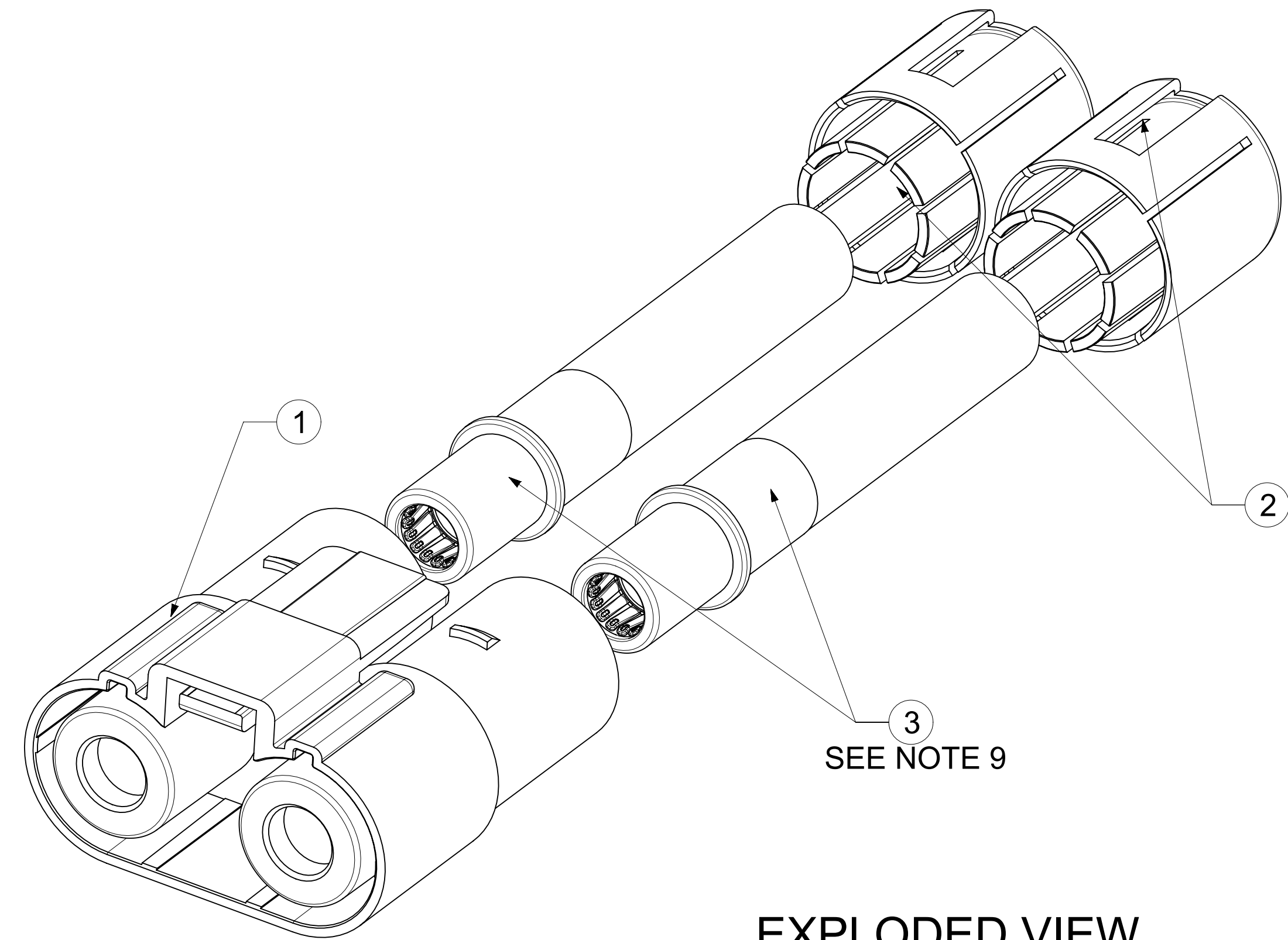
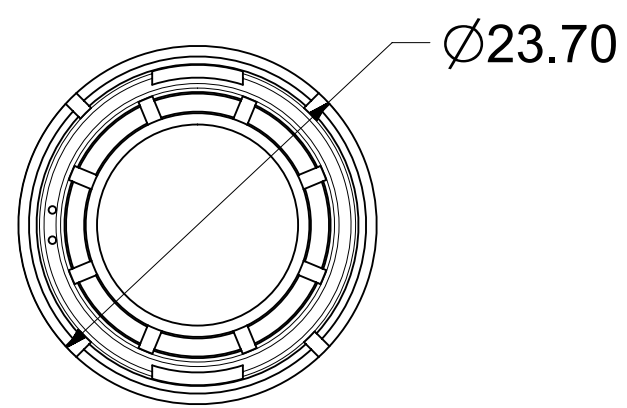
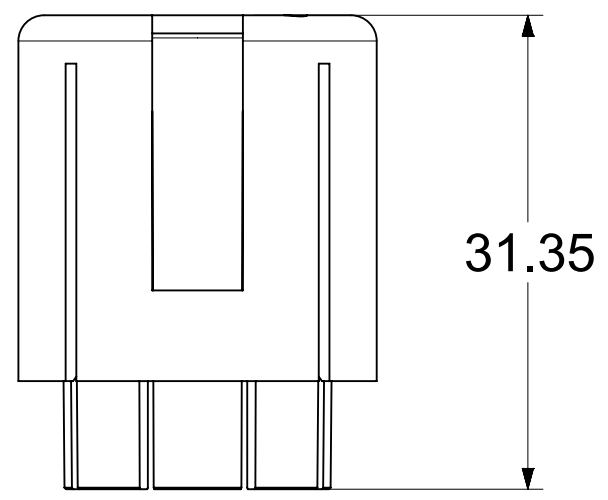


ITEM NO	P/N	DESCRIPTION	QTY	PK SPEC
1	2046010001	CST 8mm 2 POS HOUSING	1	2046010001-PK
2	2046030001	1/0 CABLE RETAINER	2	2046030001-PK
3	2046080001	8MM CST CRIMPED FEMALE	2	2046080001-PK

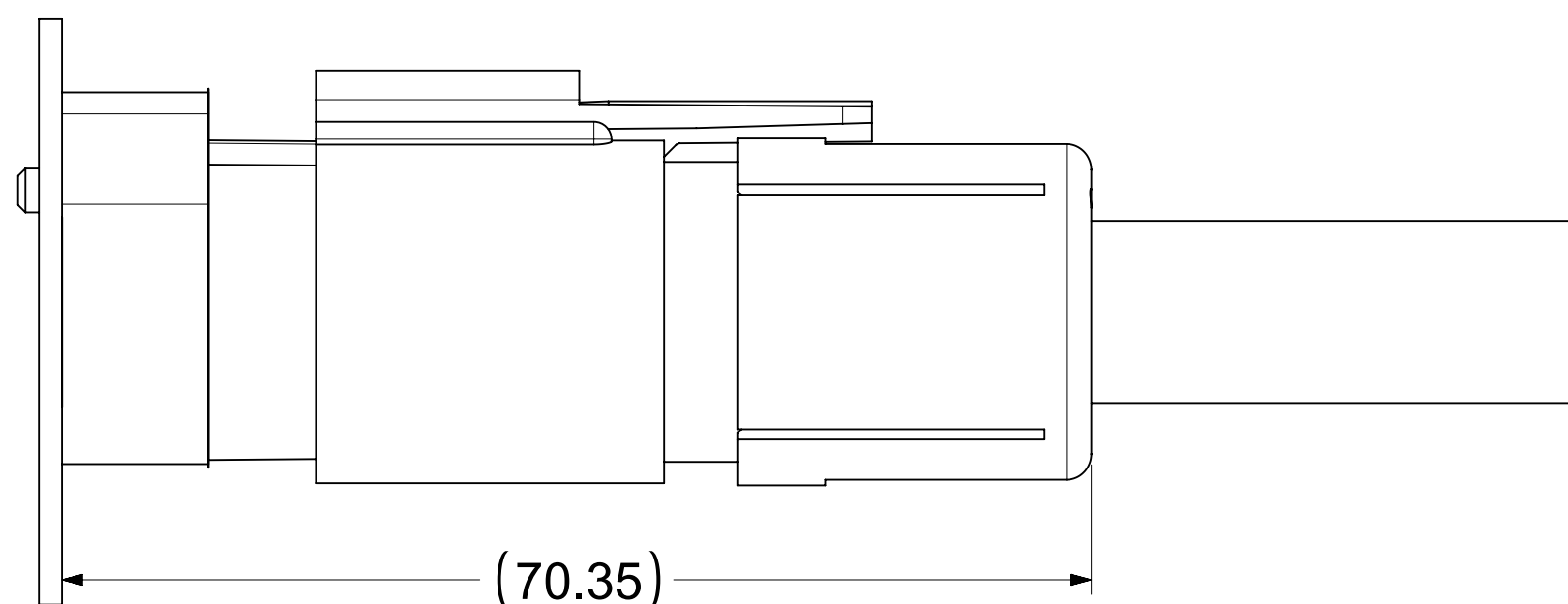
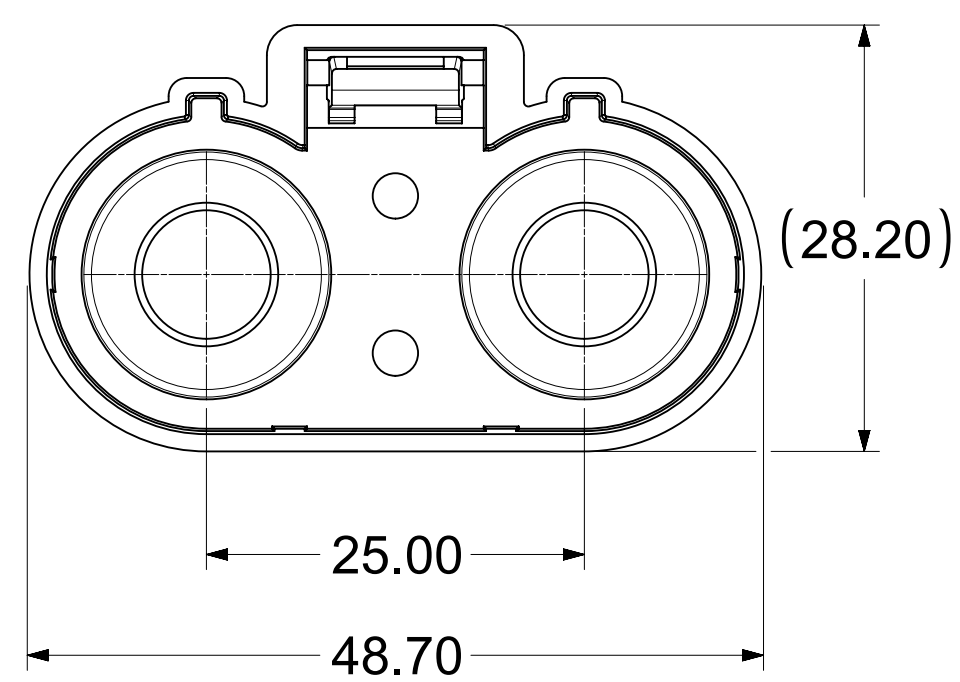
MAIN HOUSING



RETAINER



EXPLODED VIEW
(SEE NOTE 7)



ASSEMBLED AND MATED PROFILE
(SEE NOTE 6)

NOTES;

1. MATERIALS:
 - I. POWER TERMINALS: SEE TERMINAL SD FOR DETAILS
 - II. PLASTIC HOUSINGS: PBT POLYESTER, BLACK
2. MATES WITH HEADER ASSEMBLY 2046000001.
3. PRODUCT SPECIFICATION: 2046000001-PS.
4. PACKAGING SPECIFICATION: SEE CHART.
5. ASSEMBLY SPECIFICATION: 2043130001-AS.
6. OVERALL LENGTH DOESN'T INCLUDE WIRES
7. COMPONENTS 1,2 AND 3 MUST BE PURCHASED INDIVIDUALLY (SHOWN AS ASSEMBLY FOR VISUAL PURPOSES ONLY)
8. ASSEMBLY MEETS ROHS REQUIREMENTS.
9. SEE 2046080001-SD FOR TERMINAL DETAILS

THIS DRAWING CONTAINS INFORMATION THAT IS PROPRIETARY TO MOLEX ELECTRONIC TECHNOLOGIES, LLC AND SHOULD NOT BE USED WITHOUT WRITTEN PERMISSION											
DIMENSION UNITS mm		SCALE NTS		CURRENT REV DESC: UPDATED NOTE 3				molex		8.0MM CST CRIMP, FEMALE CABLE ASSY 2 CIRCUIT	
GENERAL TOLERANCES (UNLESS SPECIFIED)						EC NO: 693297					
ANGULAR TOL		± 0.5°		DRWN: SOURAJ		2022/01/21		DOCUMENT NUMBER		DOC TYPE DOC PART REVISION	
4 PLACES		±		CHK'D: JJONIAK		2022/01/31		2045990001-SD		PSD 000 A3	
3 PLACES		±		APPR: JJONIAK		2022/01/31		PRODUCT CUSTOMER DRAWING			
2 PLACES		± 0.15		INITIAL REVISION:				DOCUMENT NUMBER		DOC TYPE DOC PART REVISION	
1 PLACE		± 0.25		DRWN: JJONIAK		2018/05/02		2045990001-SD		PSD 000 A3	
0 PLACES		±		APPR: BPISZCZOR		2018/07/05		MATERIAL NUMBER CUSTOMER			
DRAFT WHERE APPLICABLE MUST REMAIN WITHIN DIMENSIONS				THIRD ANGLE PROJECTION		DRAWING		SERIES		SHEET NUMBER	
						D-SIZE		204599		1 OF 1	