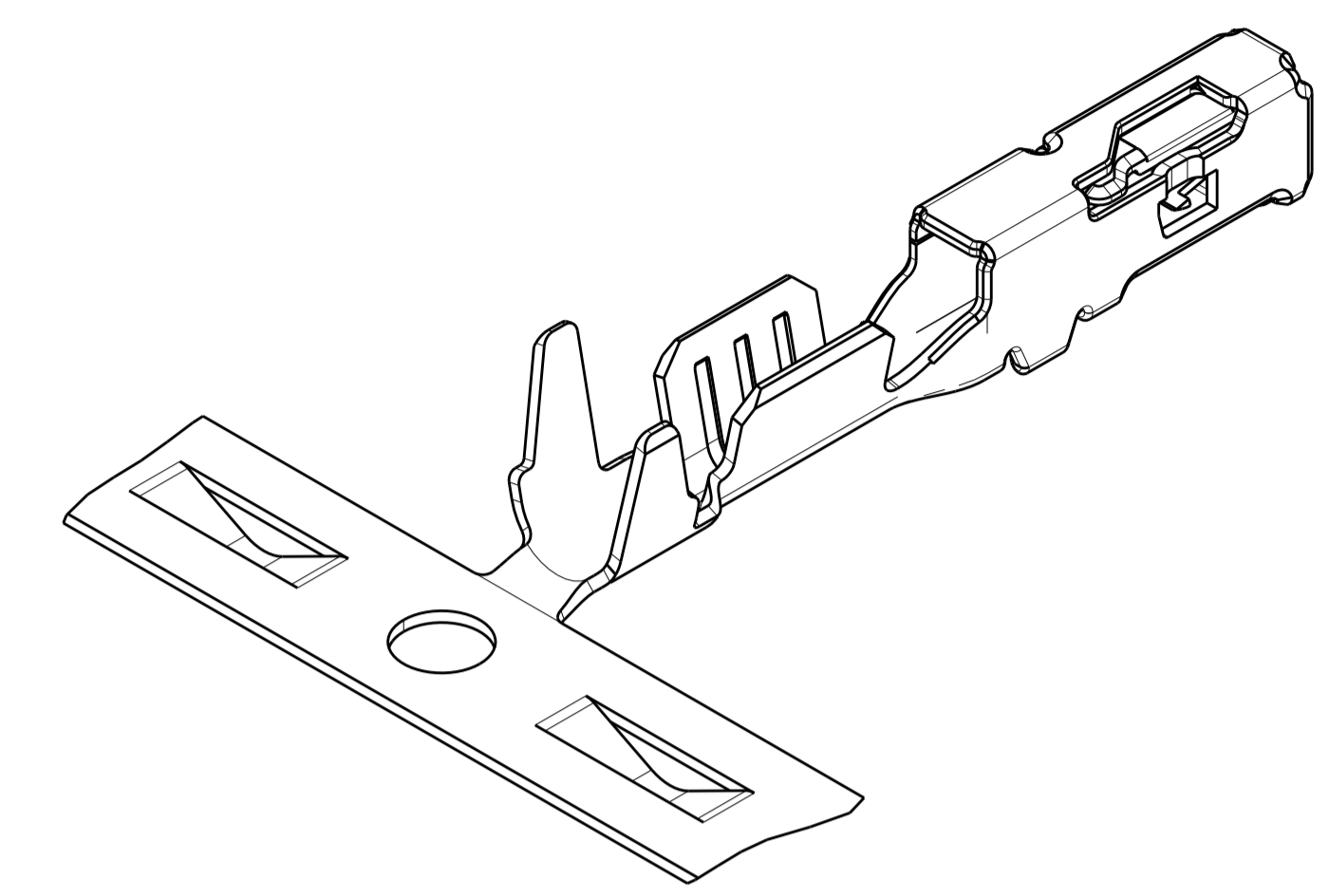
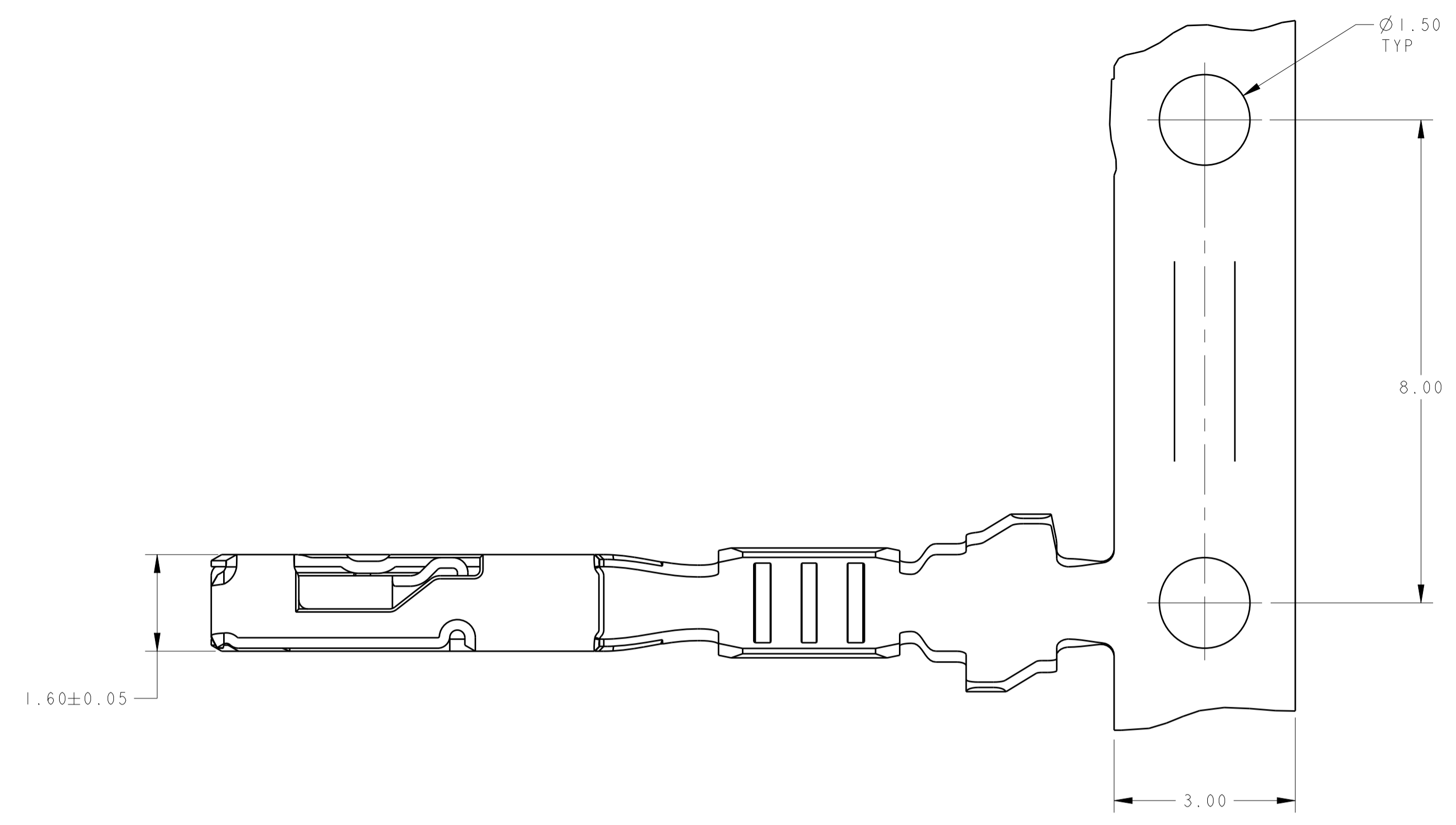
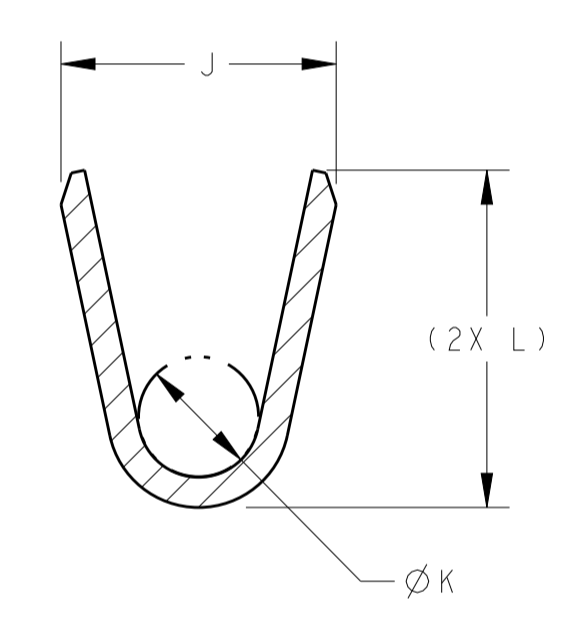
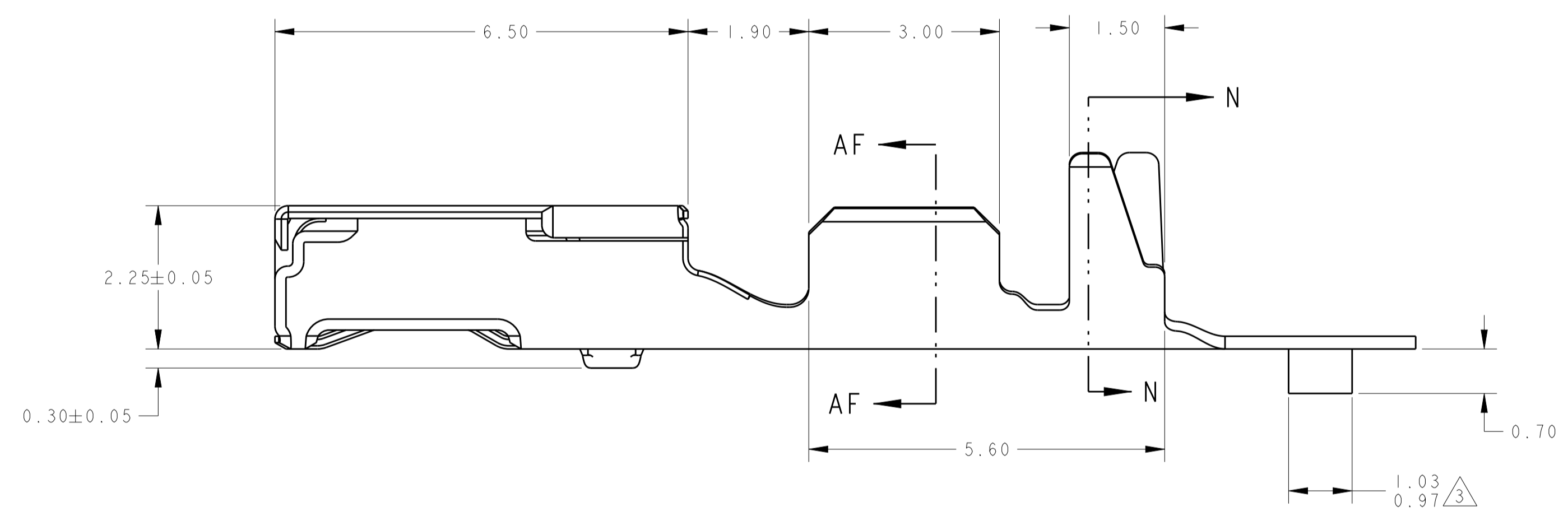


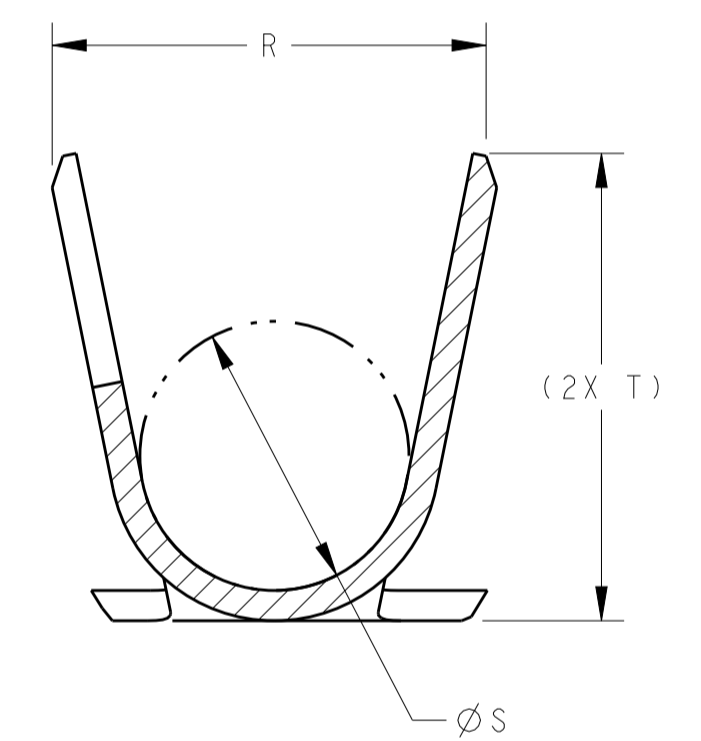
| REVISIONS | | | | | |
|-----------|-----|---------------------------|-----------|-----|------|
| P. | LTN | DESCRIPTION | DATE | DMN | APVD |
| B | | REVISED PER ECR-16-005516 | 25APR2016 | DD | CS |
| | | | | | |
| | | | | | |



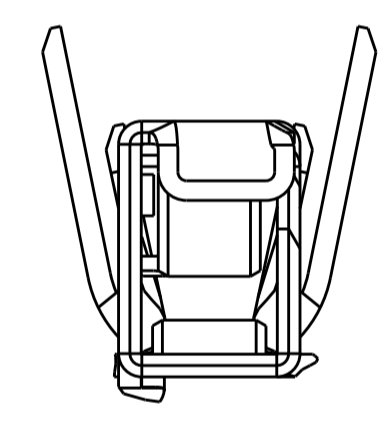
ISOMETRIC VIEW
SCALE 10:1



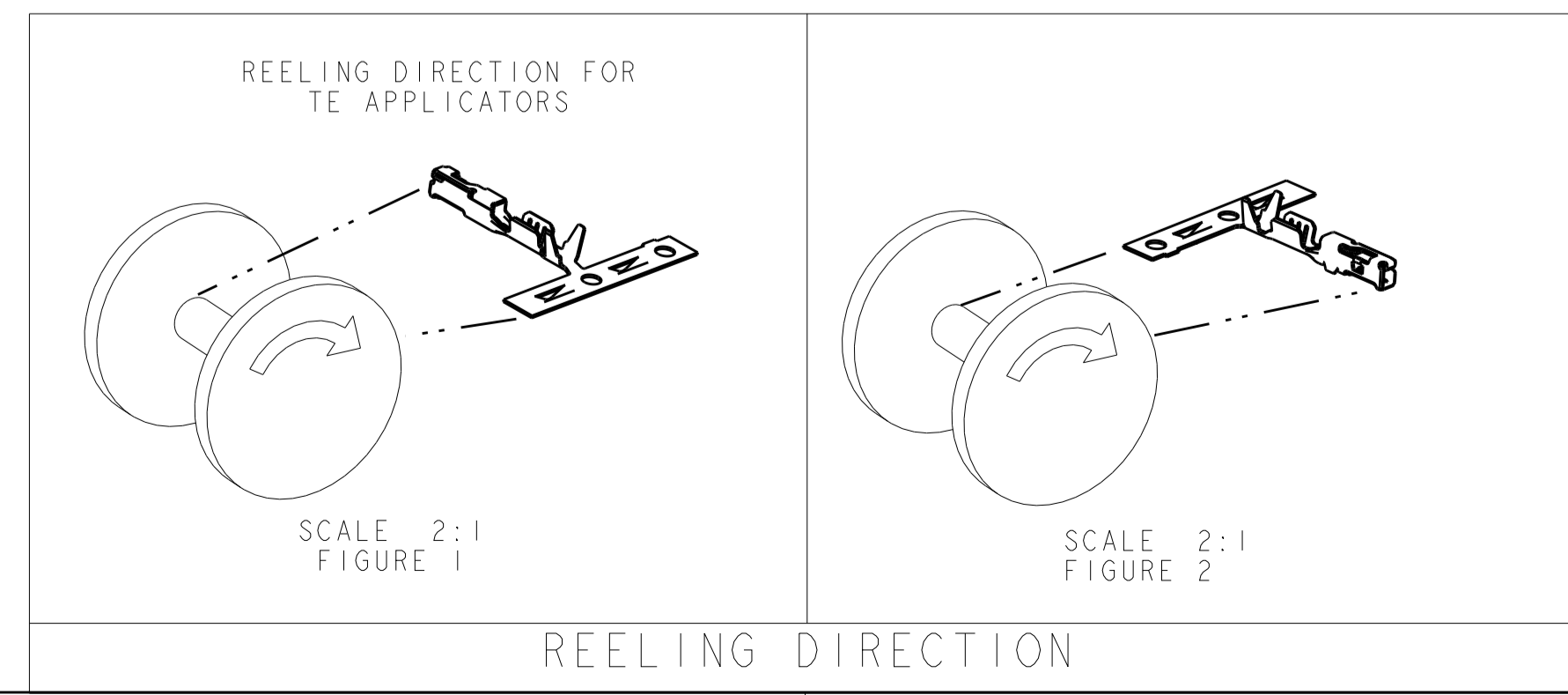
SECTION AF-AF
SCALE 20:1



SECTION N-N
SCALE 20:1



- 1 MATERIAL: 0.2mm THICK CuNiSi ALLOY
- 2 FINISH: PRE-PLATED WITH 1.00µm MIN BRIGHT TIN
- 3 MATERIAL ID FEATURE IN "DOWN" POSITION
- 4 THIS PRODUCT DESIGNED TO COMPLY WITH USCAR-2, REVISION 5 TEMP CLASS 3, MOUNTED TO ENGINE VIBRATION PROFILE
- 5 THIS PRODUCT IS DESIGNED TO BE COMPATIBLE WITH SEALED APPLICATIONS.
- 6 NORMAL FORCE 240 GRAMS REFERENCE.
- 7 TERMINAL HAS NYE LUBRICANTS NYETACT 568J-50-UV PERFORMANCE LUBE/GREASE APPLIED. THIS IS A WHITISH COLORED LUBE. AMOUNT AND VISIBILITY MAY VARY.
- 8 NOT INTENDED FOR SEALED APPLICATIONS.
- 9 SEALING CAPABILITY MUST BE EVALUATED ON AN APPLICATION BASIS.



| | | | | | | | | | | | |
|---------------------|------|------|------|------|------|------|-------------------|-----------------|-------|-------------|---|
| 1.10-1.40 | 2.38 | 1.40 | 2.40 | 1.70 | 0.80 | 1.85 | FIGURE 2 | 0.35 | 22 | 2098762-8 | 9 |
| 0.85-1.05 | 2.09 | 0.85 | 1.82 | 1.46 | 0.65 | 1.50 | FIGURE 2 | 0.13 | 26 | 2098762-7 | 8 |
| 2.06 MAX | 3.09 | 1.78 | 2.94 | 2.43 | 1.00 | 1.96 | FIGURE 2 | 0.75 | 18 | 2098762-6 | |
| 1.50-1.85 | 3.09 | 1.78 | 2.94 | 2.23 | 0.80 | 1.82 | FIGURE 2 | 0.35-0.50 | 20-22 | 2098762-5 | |
| 1.10-1.40 | 2.38 | 1.40 | 2.40 | 1.70 | 0.80 | 1.85 | FIGURE 1 | 0.35 | 22 | 2098762-4 | 9 |
| 0.85-1.05 | 2.09 | 0.85 | 1.82 | 1.46 | 0.65 | 1.50 | FIGURE 1 | 0.13 | 26 | 2098762-3 | 8 |
| 2.06 MAX | 3.09 | 1.78 | 2.94 | 2.43 | 1.00 | 1.96 | FIGURE 1 | 0.75 | 18 | 2098762-2 | |
| 1.50-1.85 | 3.09 | 1.78 | 2.94 | 2.23 | 0.80 | 1.82 | FIGURE 1 | 0.35-0.50 | 20-22 | 2098762-1 | |
| INSULATION DIAMETER | T | S | R | L | K | J | REELING DIRECTION | mm ² | AWG | PART NUMBER | |

THIS DRAWING IS A CONTROLLED DOCUMENT. DMN F KINSEY 04FEB2010
 CHK F KINSEY 04FEB2010
 APVD C SCHMID 04FEB2010

STE TE Connectivity

CONTACT, FEMALE, 0.64mm
 CuNiSi, BOTTOM ORIENTATION
 Sn PLATE

SIZE CAGE CODE DRAWING NO RESTRICTED TO
 114-13183 A100779C=2098762

MATERIAL FINISH WEIGHT CUSTOMER DRAWING SCALE 15:1 SHEET 1 OF 1 REV B