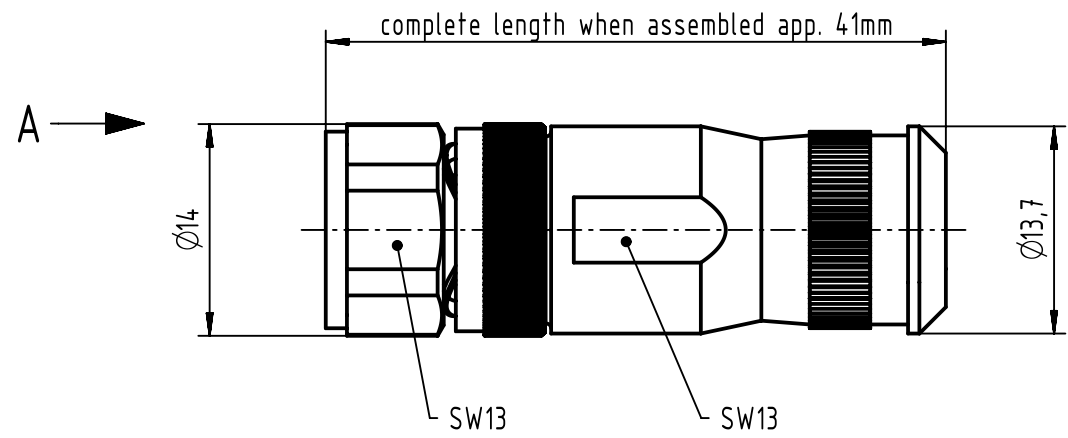
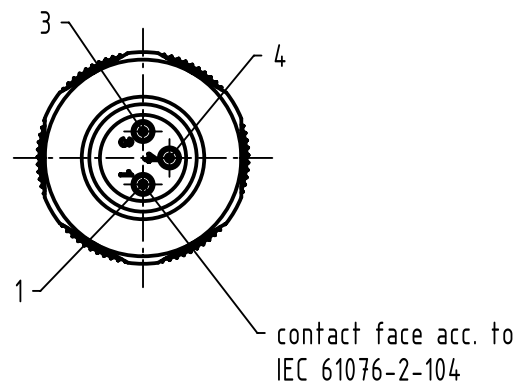


1 2 3 4 5 6

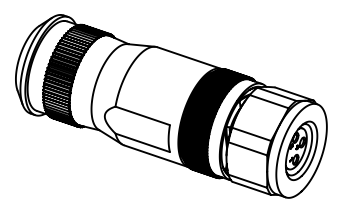
A
B
C
D




A (2:1)



conductor cross section	0.5mm ² max. AWG20
cable outside diameter	4 - 5.5mm



	All Dimensions in mm Original Size DIN A4	Scale 2:1	Free size tol.			Ref.
	All rights reserved Department EC PD - DE	Created by EISFELD	Inspected by WELLMANN	Standardisation SCHREIER	Date 2015-04-02	State Final Release
HARTING Electronics GmbH D-32339 Espelkamp		Title HARTING M8 screw straight 3-pole female shielded				Doc-Key / ECM-Nr. 100617448/UGD/001/A 500000087333
		Type TB	Number 21023692301		Rev. A	Page 1/1