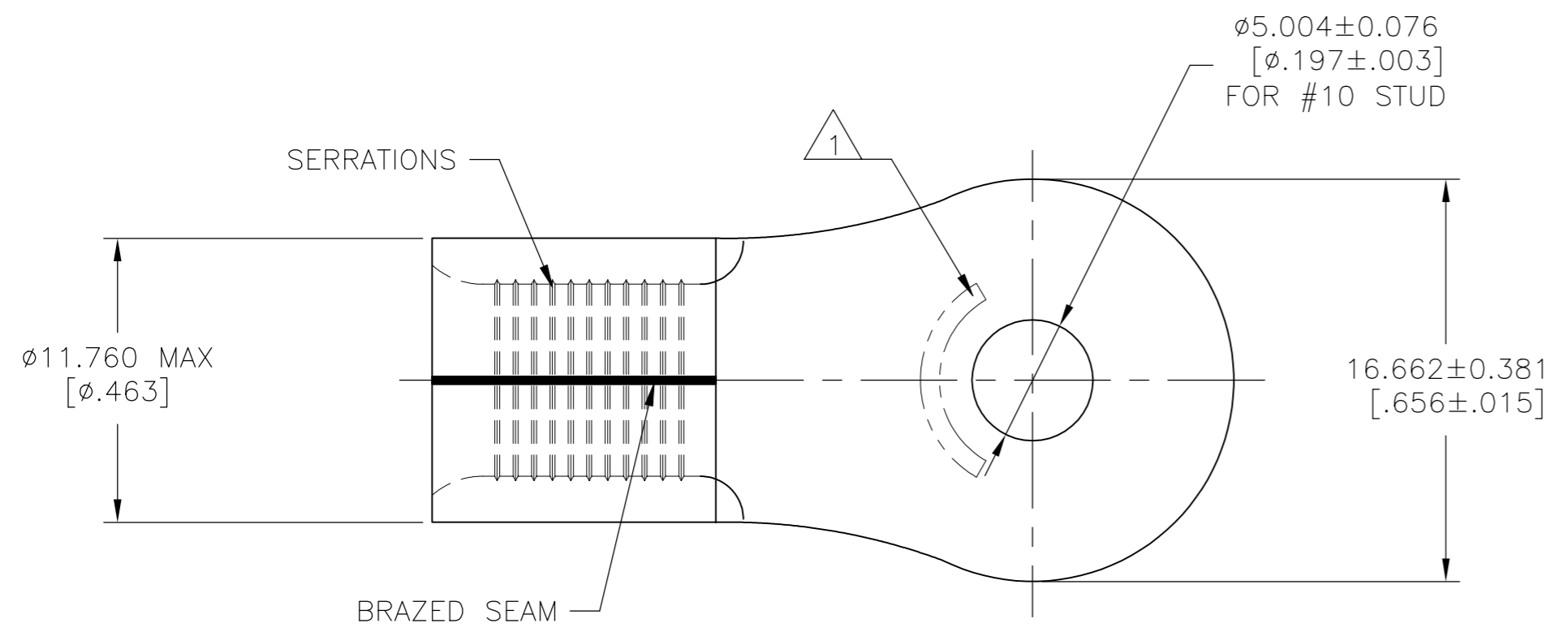


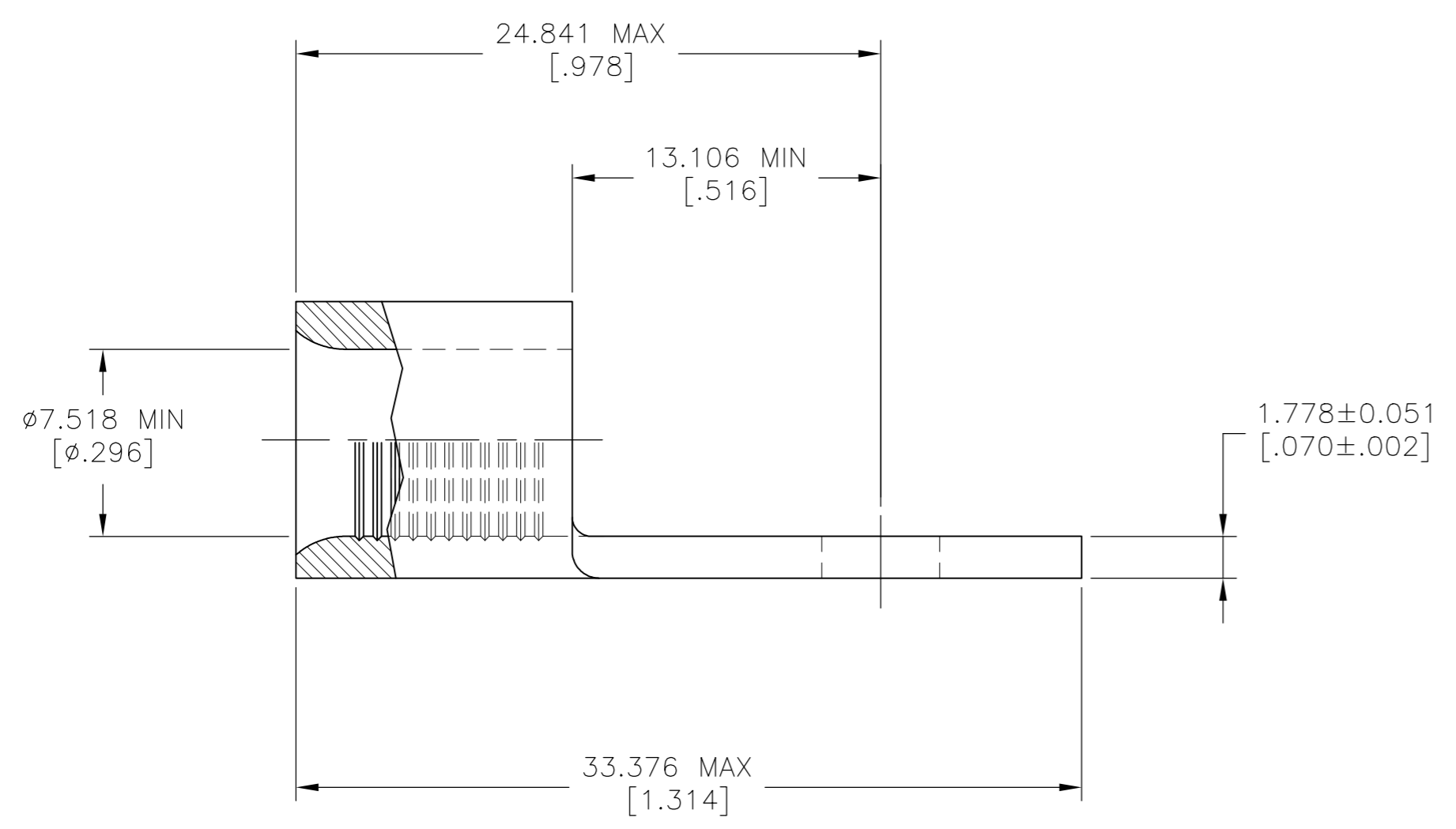
THIS DRAWING IS UNPUBLISHED. RELEASED FOR PUBLICATION
 © COPYRIGHT - By - ALL RIGHTS RESERVED.

REVISIONS					
P	LTR	DESCRIPTION	DATE	DWN	APVD
	H2	REVISED PER ECO-11-004917	11MAR11	RK	HMR
	H3	REVISED PER ECO-17-008806	15FEB2018	RS	DR



AMP
 WIRE RANGE
 4 AWG
 SOLID OR STRANDED

- 1 STAMP AMP 4* APPROX AS SHOWN
- 2 UL LISTED E13288, 4 AWG STRANDED
- 3 CSA CERTIFIED LR7189, 4 AWG SOLID OR STRANDED
- 4 TIN PLATE 0.00254 [.000100] MIN THK PER ASTM B545
- 5 NOTE DELETED
- 6 NOTE DELETED
- 7 NOTE DELETED



APPROVALS	FINISH	QTY	PACKAGE TYPE	PART NO.
2 3	4	100	LOOSE PIECE	33468

AMP INCORPORATED CUSTOMER SERVICE SYSTEMS		THIS DRAWING IS A CONTROLLED DOCUMENT.		DWN TA BRINKMAN 3-29-93 CHK DA PATTERSON 3-29-93 APVD JL MECKLEY 3-29-93		TE Connectivity Ltd.		
FOR ADDITIONAL PRODUCT INFORMATION OR COPIES OF DRAWINGS AND TECHNICAL DOCUMENTS	PRODUCT INFORMATION CENTER 1-800-522-6752	MAX RECOMMENDED OPERATING TEMPERATURE: 170°C [338°F] MAX	DIMENSIONS: mm [INCHES]	TOLERANCES UNLESS OTHERWISE SPECIFIED:	NAME TERMINAL, RING TONGUE, SOLISTRAND 4 AWG			
FOR APPLICATION TOOLING INFORMATION	TOOLING ASSISTANCE CENTER 1-800-722-1111	VOLTAGE RATING: NOT APPLICABLE		0 PLC ± - 1 PLC ± - 2 PLC ± - 3 PLC ± 0.127[.005] 4 PLC ± - ANGLES ± -	APPLICATION SPEC UL 486 A-B	SIZE A2	CAGE CODE 00779	
FOR ORDER ENTRY	1-800-526-5142	WIRE CROSS SECTIONAL AREA RANGE, 16.8-26.7mm²[33,100-52,600] CIR MILS SOLID OR STRANDED		MATERIAL ASTM B152	FINISH SEE TABLE	WEIGHT	DRAWING NO. C-33468	RESTRICTED TO -
				CUSTOMER DRAWING		SCALE 4:1	SHEET 1 OF 1	REV H3