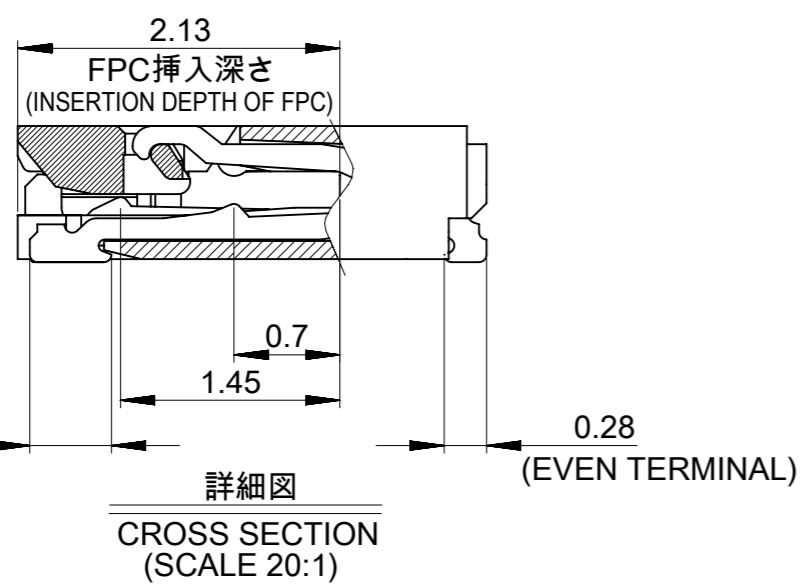


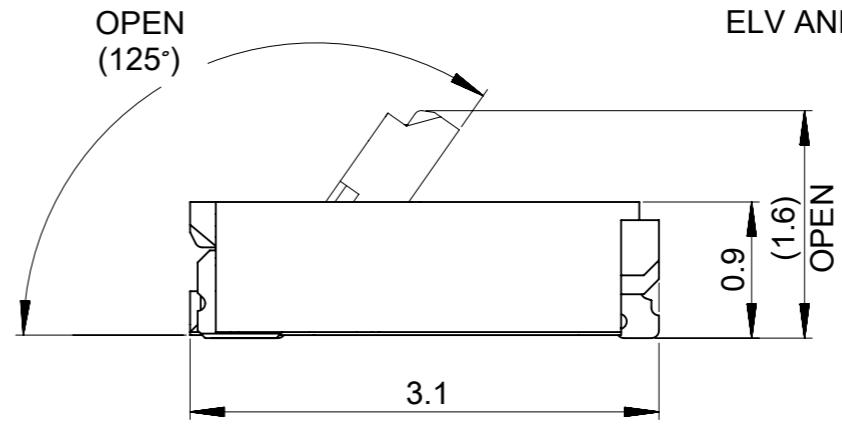
回路番号1
CIRCUIT NO.1



注記
NOTES:

- 1.材質
MATERIAL
ハウジング: LCP (液晶ポリマー)、ガラス充填、UL94V-0
HOUSING: LCP (LIQUID CRYSTAL POLYMER), GLASS FILLED, UL94V-0
アクチュエータ: ナイロン、ガラス充填、UL94HB
ACTUATOR: NYLON (POLYAMIDE), GLASS FILLED, UL94HB
ターミナル: 銅合金 (t=0.15)
TERMINAL: COPPER ALLOY (t=0.15)
金具: 銅合金 (t=0.15)
NAIL: COPPER ALLOY (t=0.15)

- 2.めっき仕様
PLATING
ターミナル
TERMINAL
部分金めっき
SEPARATED GOLD PLATING
下地ニッケルめっき
UNDER PLATING: NICKEL PLATING
金具
NAIL
錫めっき
TIN PLATING
下地ニッケルめっき
UNDER PLATING: NICKEL PLATING
3.平坦度は、0.1ミリ以下とする。
TAILS COPLANARITY TO BE 0.1 MAXIMUM.
4.ELV及びRoHS適合品
ELV AND RoHS COMPLIANT



0.067	10.75	9.0	9.6	12.0	501628-3391	33
重さ (g) WEIGHT (g)	D	C	B	A	EMBOSSED PACKAGE オーダー番号 ORDER No.	極数 CIRCUITS

CONNECTOR SERIES No. 501628-**13

THIS DRAWING CONTAINS INFORMATION THAT IS PROPRIETARY TO MOLEX ELECTRONIC TECHNOLOGIES, LLC AND SHOULD NOT BE USED WITHOUT WRITTEN PERMISSION

SCALE: 40:1

GENERAL TOLERANCES (UNLESS SPECIFIED)

DIMENSION UNITS	SCALE
mm	40:1

GENERAL TOLERANCES (UNLESS SPECIFIED)

PLACES	MM	INCH
4 PLACES	±	±
3 PLACES	±	±
2 PLACES	±	±
1 PLACE	±	±
0 PLACES	±	±

ANGULAR TOL ± 1.0°

DRAFT WHERE APPLICABLE MUST REMAIN WITHIN DIMENSIONS

THIRD ANGLE PROJECTION

DRAWING: A3-SIZE

SERIES: 501628

MATERIAL NUMBER: SEE TABLE

CUSTOMER: GENERAL MARKET

SHEET NUMBER: 1 OF 2

EC NO: 631031
DRWN: RPRABHUM 2019/12/24
CHK'D: GGA 2020/02/06
APPR: GGA 2020/02/06

INITIAL REVISION:
DRWN: HSHIMOYAMA 2005/03/25
APPR: MSASAO 2005/03/25

DOCUMENT NUMBER: SD-501628-001

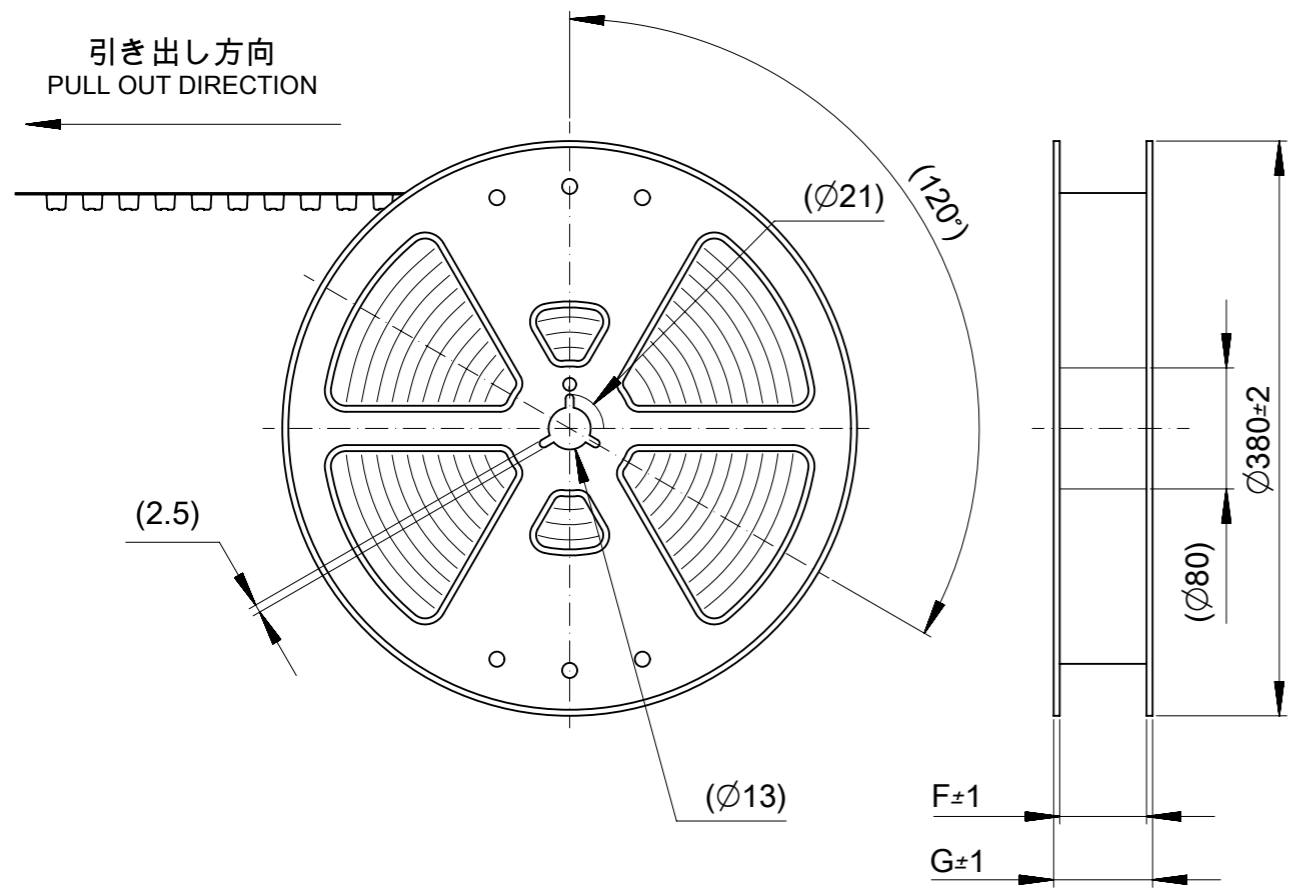
DOC TYPE: PSD

DOC PART: 001

REVISION: M1

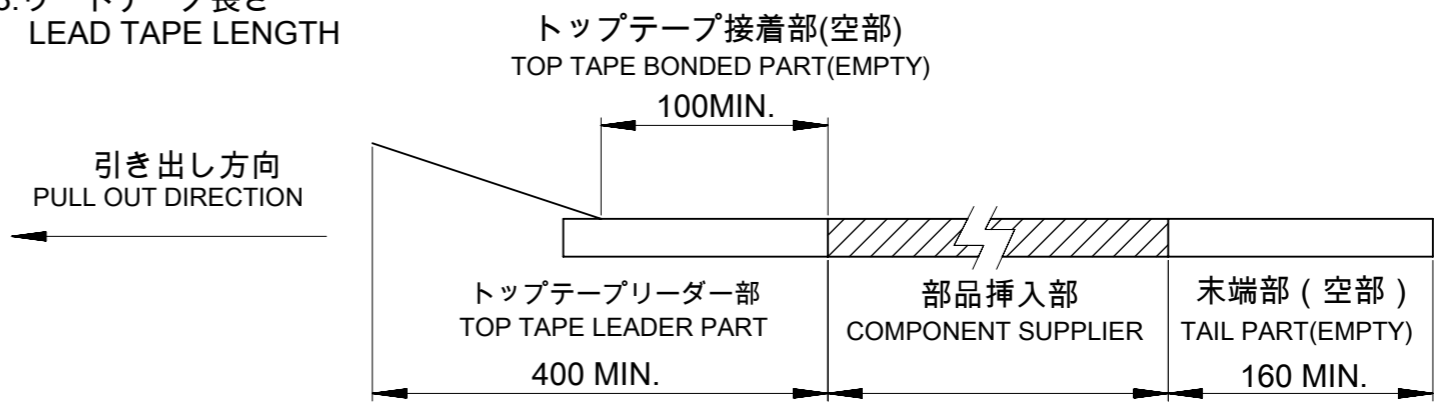
GENERAL TOLERANCES (UNLESS SPECIFIED)

10 ^{UNDER}	±0.2
10 ^{OVER} 30 ^{UNDER}	±0.25
30 ^{OVER}	±0.3

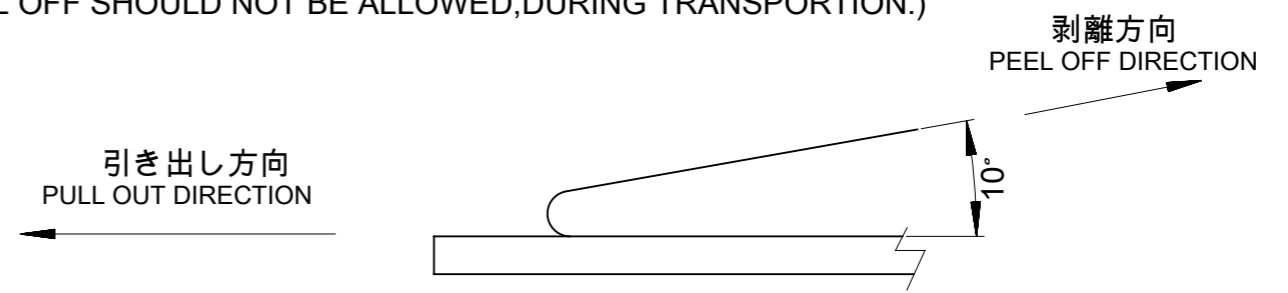


注記)
NOTES

1. 製品番号501628-**11の詳細寸法は、製品単体図面を参照下さい。
IN THE PACKAGE PART NUMBER 501628-**11 DETAIL DIMENSIONS, SEE SALES DRAWING FOR CONNECTOR.
2. 梱包数量：3000個/リール
NUMBER OF CONNECTORS：3000 PCS/REEL
3. リードテープ長さ
LEAD TAPE LENGTH



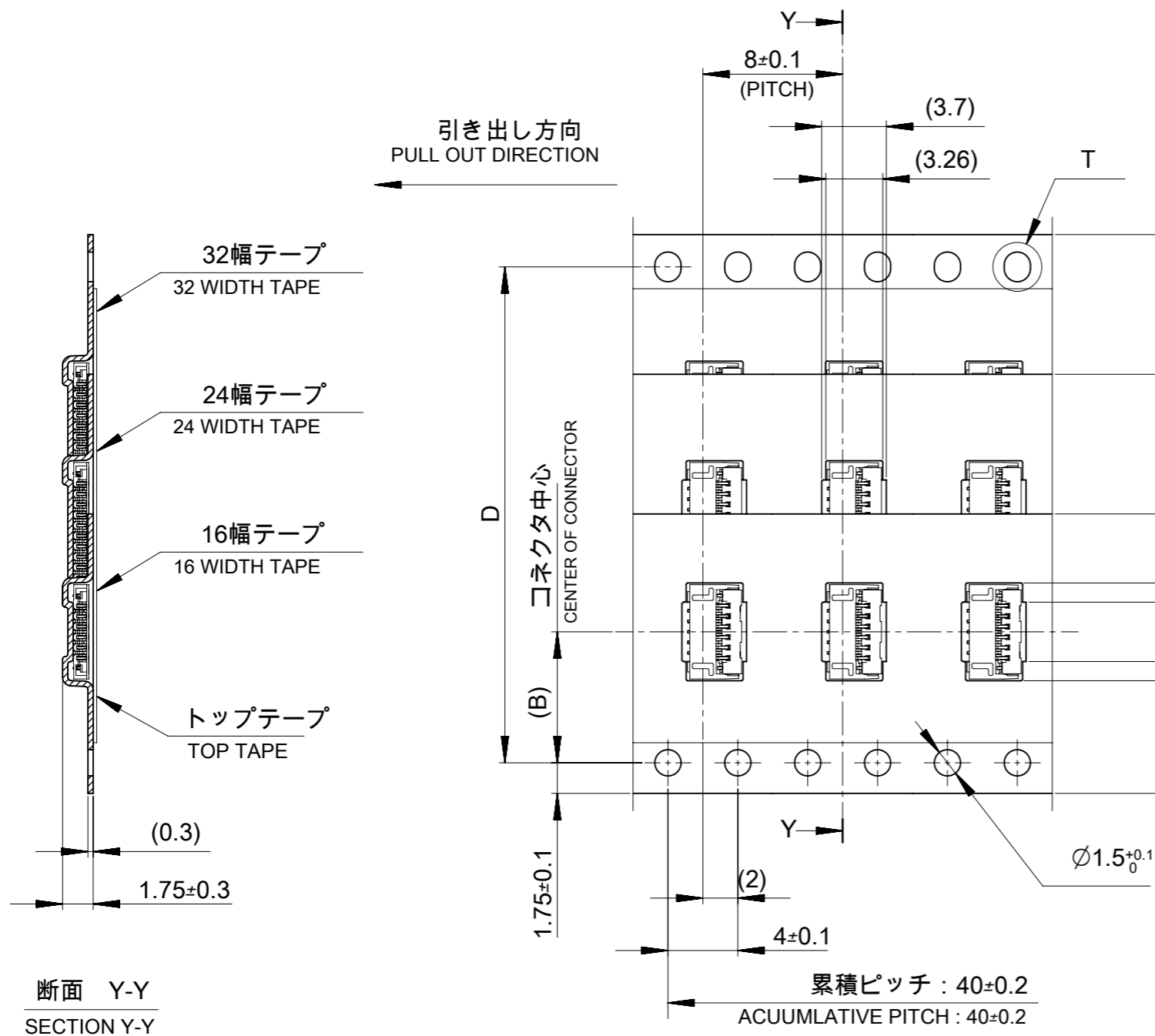
4. トップテープの剥離強度 (剥離方向は下図参照)
PEELING OFF FORCE OF TOP TAPE (PEELING DIRECTION AS SHOWN IN FOLLOWING FIGURE)
0.1-1.3N (10-130gf)
尚、本規格値は出荷時に適用。
THIS REQUIREMENT SHOULD BE APPLIED AT SHIPMENT.
(但し、輸送時に剥離が発生しないこと)
(PEEL OFF SHOULD NOT BE ALLOWED, DURING TRANSPORTION.)



5. 材料
MATERIAL
キャリアテープ：ポリスチレン (PS)
CARRIER TAPE: POLYSTYRENE (PS)
トップテープ：PET、PE、PEF
TOP TAPE: PET, PE, PEF
リール：ポリスチレン
REEL: POLYSTYRENE

6. ELV及びRoHS適合品
ELV AND RoHS COMPLIANT

THIS DRAWING CONTAINS INFORMATION THAT IS PROPRIETARY TO MOLEX ELECTRONIC TECHNOLOGIES, LLC AND SHOULD NOT BE USED WITHOUT WRITTEN PERMISSION		CURRENT REV DESC: OBSOLETE PART NO.		molex	
DIMENSION UNITS	SCALE				
mm	NTS			0.3 FPC CONN.(FOR 501628-**11) TAPING PACKAGE NICKEL BARRIER	
GENERAL TOLERANCES (UNLESS SPECIFIED)				PRODUCT CUSTOMER DRAWING	
	MM	INCH			
4 PLACES	±	±	EC NO: 631031	DOCUMENT NUMBER	
3 PLACES	±	±	DRWN: RPRABHUM 2019/12/24	SD-501628-003	DOC TYPE
2 PLACES	±	±	CHK'D: GGA 2020/02/06	PSD	DOC PART
1 PLACE	±	±	APPR: GGA 2020/02/06	001	REVISION
0 PLACES	±	±	INITIAL REVISION:	G1	
ANGULAR TOL ± °		DRWN: HSHIMOYAMA 2005/08/22			
		APPR: MSASAO 2005/08/22			
DRAFT WHERE APPLICABLE MUST REMAIN WITHIN DIMENSIONS		THIRD ANGLE PROJECTION	DRAWING	SERIES	MATERIAL NUMBER
			A3-SIZE	501628	CUSTOMER
					GENERAL MARKET
					SHEET NUMBER
					1 OF 2



29.4	25.4	24±0.3	---	10.0	11.5	12.2	501628-3391	33
G	F	キャリアテープ幅 EMBOSSD TAPE WIDTH	D	C	B	A	製品番号 MATERIAL NO.	極数 CIRCUITS

THIS DRAWING CONTAINS INFORMATION THAT IS PROPRIETARY TO MOLEX ELECTRONIC TECHNOLOGIES, LLC AND SHOULD NOT BE USED WITHOUT WRITTEN PERMISSION		CURRENT REV DESC: OBSOLETE PART NO.		molex	
DIMENSION UNITS: mm		SCALE: NTS			
GENERAL TOLERANCES (UNLESS SPECIFIED)				0.3 FPC CONN.(FOR 501628 -**11) TAPING PACKAGE NICKEL BARRIER	
4 PLACES ±				EC NO: 631031	
3 PLACES ±				DRWN: RPRABHUM 2019/12/24	
2 PLACES ±				CHK'D: GGA 2020/02/06	
1 PLACE ±				APPR: GGA 2020/02/06	
0 PLACES ±				INITIAL REVISION:	
ANGULAR TOL ± °				DRWN: HSHIMOYAMA 2005/08/22	
DRAFT WHERE APPLICABLE MUST REMAIN WITHIN DIMENSIONS				APPR: MSASAO 2005/08/22	
THIRD ANGLE PROJECTION		DRAWING		DOCUMENT NUMBER	
A3-SIZE		SERIES		SD-501628-003	
MATERIAL NUMBER		CUSTOMER		DOC TYPE	
SEE TABLE		GENERAL MARKET		PSD	
SHEET NUMBER		2 OF 2		DOC PART	
2 OF 2		G1		REVISION	