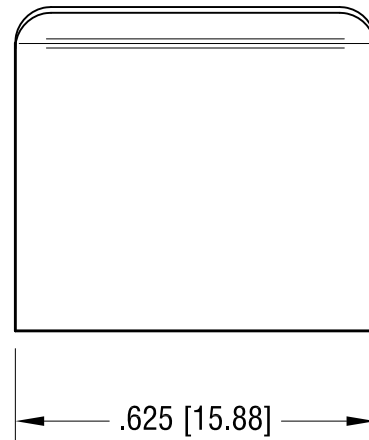
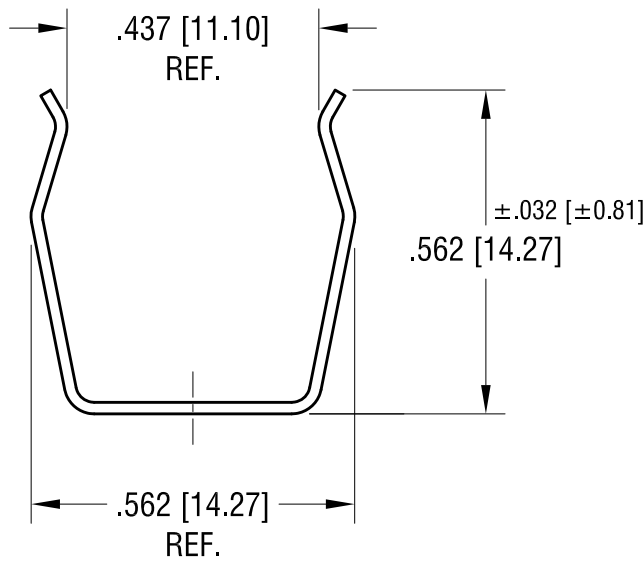
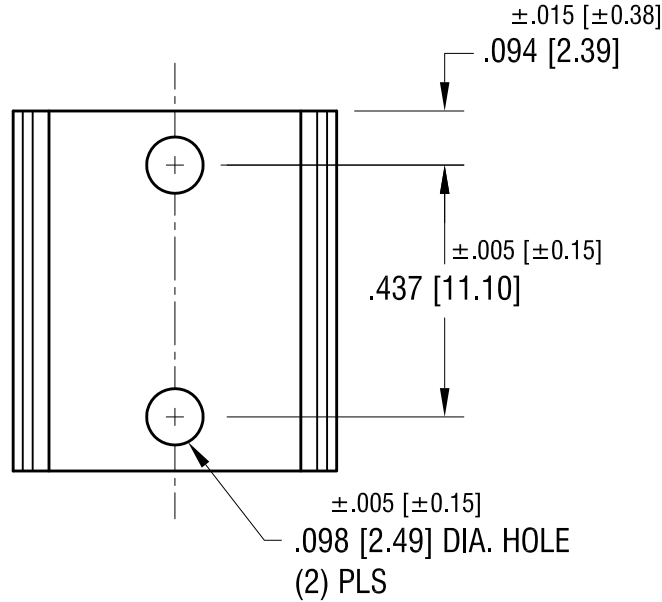
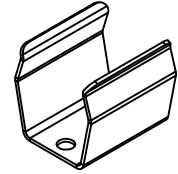


THIS DOCUMENT IS THE PROPERTY OF KEYSTONE ELECTRONICS CORP. AND SHALL NOT BE REPRODUCED, DISTRIBUTED OR USED AS A BASIS FOR MANUFACTURE WITHOUT PRIOR WRITTEN PERMISSION FROM KEYSTONE ELECTRONICS CORP.

**ACTUAL SIZE**



7.28.17	CHANGE AS PER ECN 17-050	C
12.13.99	CHANGE AS PER ECN 99-103	B
4.21.94	CHANGE AS PER ECR 94-005	A
DATE	DESCRIPTION	REV.

<b>KEYSTONE ELECTRONICS CORP.</b>			
www.keyelco.com • ASTORIA, N.Y. 11105-2017 • Tel (718) 956-8900			
PART NAME		'AA' BATTERY CLIP	
MATERIAL		.020 [0.50] TH'K ALUMINUM 2024-T3	
FINISH	DRN BY	BOONE	DATE
-	APP'D	LN	10.30.81
TOLERANCES	INCH	[MM]	CODE
DECIMAL	± .010	[± 0.25 ]	DWG NO.
ANGULAR	± 1°		91
UNLESS OTHERWISE SPECIFIED			