

MATERIALS

HOUSING:

ALUMINUM 6061, NICKEL PLATED
(500 MICRONS MINIMUM) PER
SAE-AMS-2404

INSULATOR:

PPS PER MIL-M-24519, TYPE
GST 40F

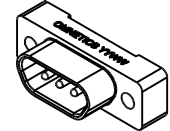
CONTACT:

COPPER ALLOY PER SAE-AS39029
GOLD PLATED PER ASTM B488
(HARD GOLD), TYPE II, CODE C
CLASS 1.27 OVER NICKEL
UNDERPLATE

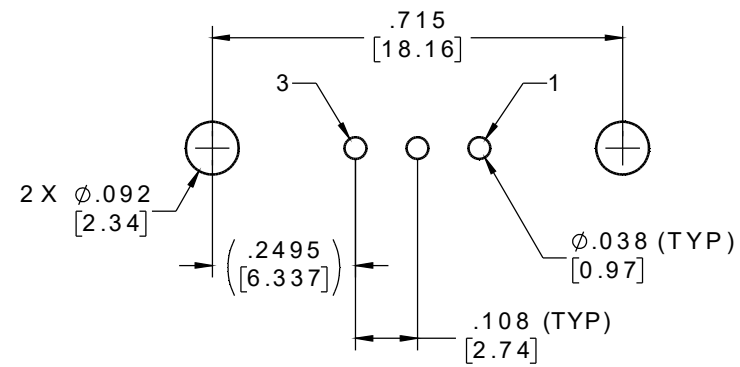
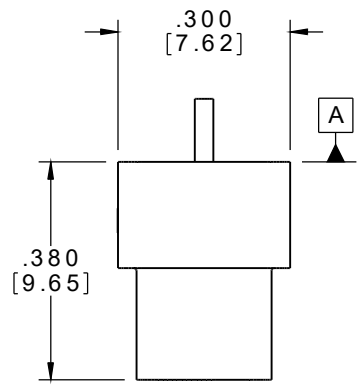
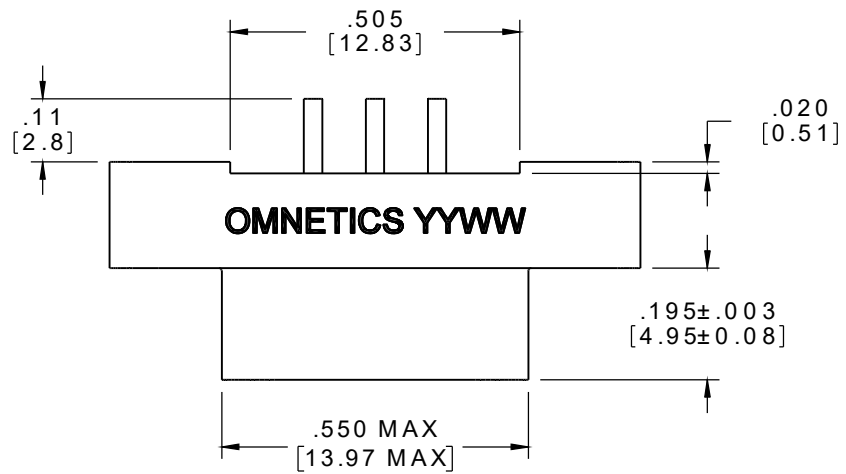
TERMINATION:

SOLDER COATED WITH SN63A PER
J-STD-006

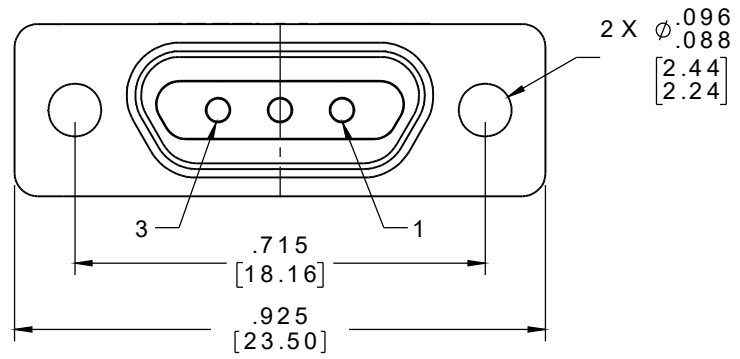
PART NO.	A99350-001	REV	ECO	DATE	APP
		A	104988	11-02-18	HV



ACTUAL SIZE



SUGGESTED HOLE PATTERN



NOTES:

1. TAIL DIMENSIONS APPLY AT PLANE A

2. DIMENSIONS IN [] ARE IN MILLIMETERS UNLESS OTHERWISE NOTED AND ARE FOR REFERENCE ONLY

MDS SMD SLDW	THIRD ANGLE	THIS DRAWING CONTAINS CONFIDENTIAL AND PROPRIETARY INFORMATION WHICH IS THE PROPERTY OF OMNETICS CONNECTOR CORPORATION. THIS DOCUMENT MAY NOT, IN WHOLE OR IN PART, BE DUPLICATED, OR DISCLOSED FOR ANY PURPOSE, WITHOUT WRITTEN PERMISSION FROM OMNETICS CONNECTOR CORPORATION.	
	TOLERANCES- UNLESS OTHERWISE NOTED	DFTM. STN	TITLE:
	DIMENSIONS IN INCHES	DATE	(3-0) CONTACT RECEPTACLE
	2 PL DEC ± .01 3 PL DEC ± .005 4 PL DEC ± .0005 ANGLES ± 1°	DATE	HYBRID POWER MICRO-D CONNECTOR
	DATE	DATE	
	DATE	DATE	

OMNETICS
CONNECTOR CORPORATION
7260 COMMERCE CIRCLE EAST
MINNEAPOLIS, MN 55432
WWW.OMNETICS.COM

CAGE CODE 61873	REV
DWG NO. A99350-001	A
SHEET 1 OF 1	SCALE: 3:1