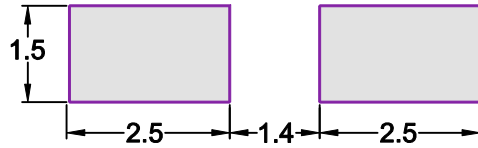
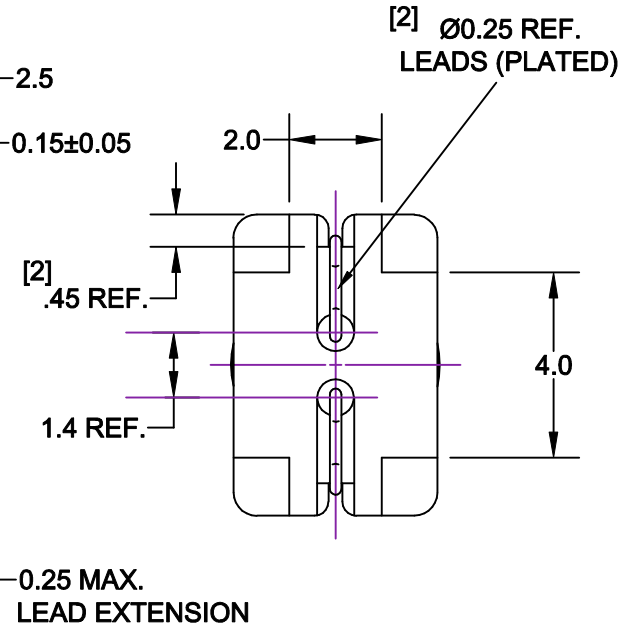
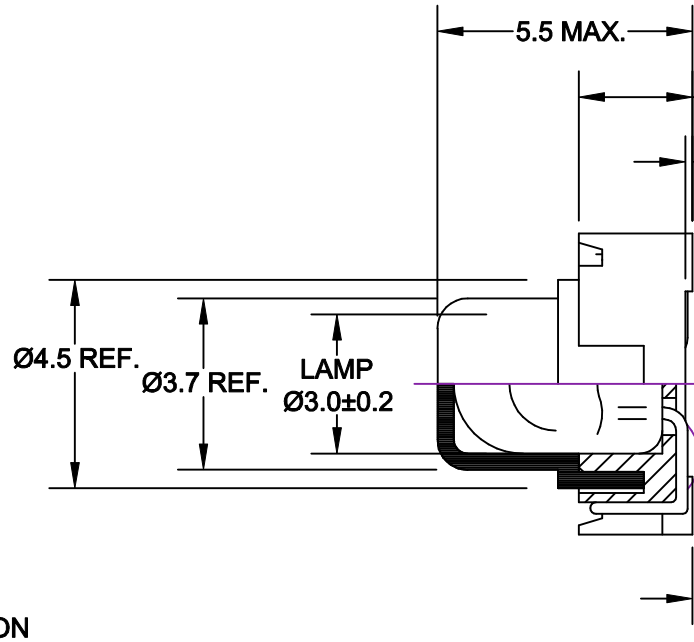
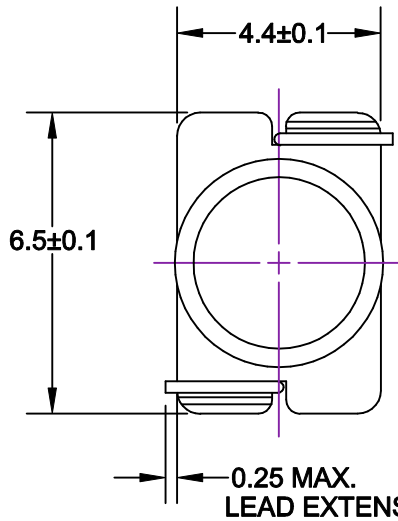
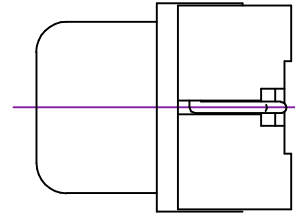


| REV. | DESCRIPTION/ECO NO. | DATE |
|------|--|----------|
| | RELEASED - was P-9911-14-5 and FILTER 39-26-525 | 11/23/99 |
| A | CHANGE LEAD CUTAWAY PROFILE | 11/29/99 |
| B | ADD NOTE & DIM CHNGS. | 1/25/00 |
| C | DELETE NOTE | 11/28/00 |
| | | |
| | | |



RECOMMENDED DIMENSIONS
FOR PC-BOARD PAD



| LAMP NUMBER: 7152 | | | | | |
|-------------------|------------|-------------|---------------|-------------------|---------------|
| VOLTS RATED | AMPS ± 10% | *MSCP ± 25% | *LUMENS ± 25% | AVERAGE LIFE HRS. | FILAMENT TYPE |
| 5.0 | .115 | .150 | 1.89 | 20,000** | C-2R |

*LAMP RATING ONLY WITHOUT BASE AND FILTER

| FILTER NUMBER: 39-26-5A | |
|-------------------------|--|
| COLOR REF. | COORDINATES |
| BLUE BUICK | x = 0.2393 ± .025 y = 0.4440 ± .025 |

**DERIVED FROM
ACCELERATED TESTING.

JKL PART NUMBER: CSD4-7152/39-26-5A

| | | | | | | |
|---|--|--|--------------------------|--------------------------------------|--|----------------------------|
| <p>METRIC THIRD ANGLE PROJECTION</p> | <p>DIMENSIONS ARE IN MILLIMETERS</p> <p>TOLERANCE UNLESS OTHERWISE SPECIFIED</p> <p>1 PL +/- 0.2 2 PL +/- 0.20 ANGLE +/- 0</p> | <p>JKL COMPONENTS CORPORATION</p> | | | | |
| | <p>TITLE</p> <p>T-1 SURFACE MOUNT LAMP WITH BASE AND FILTER (LOW PROFILE)</p> | | | | | |
| <p>DRAWN BY</p> <p>L. WENGSTROM</p> | <p>APPVD BY</p> <p>JK</p> | <p>DATE</p> <p>11/28/00</p> | <p>SIZE</p> <p>A</p> | <p>FSCM NO.</p> <p>55335</p> | <p>DRAWING NO.</p> <p>CSD4-7152/39-26-5A</p> | <p>REV.</p> <p>C</p> |
| <p>- CAD DRAWING - MANUAL REVISIONS NOT PERMITTED</p> | | | <p>SCALE</p> <p>NONE</p> | <p>RELEASED DATE</p> <p>11/29/99</p> | <p>REVISION DATE</p> <p>11/28/00</p> | <p>SHEET</p> <p>1 OF 1</p> |