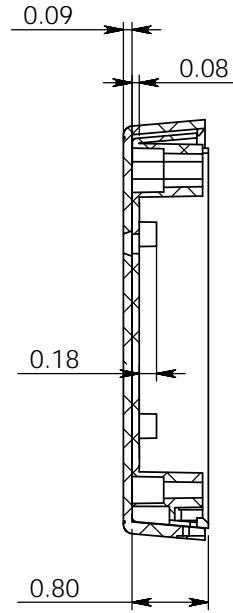
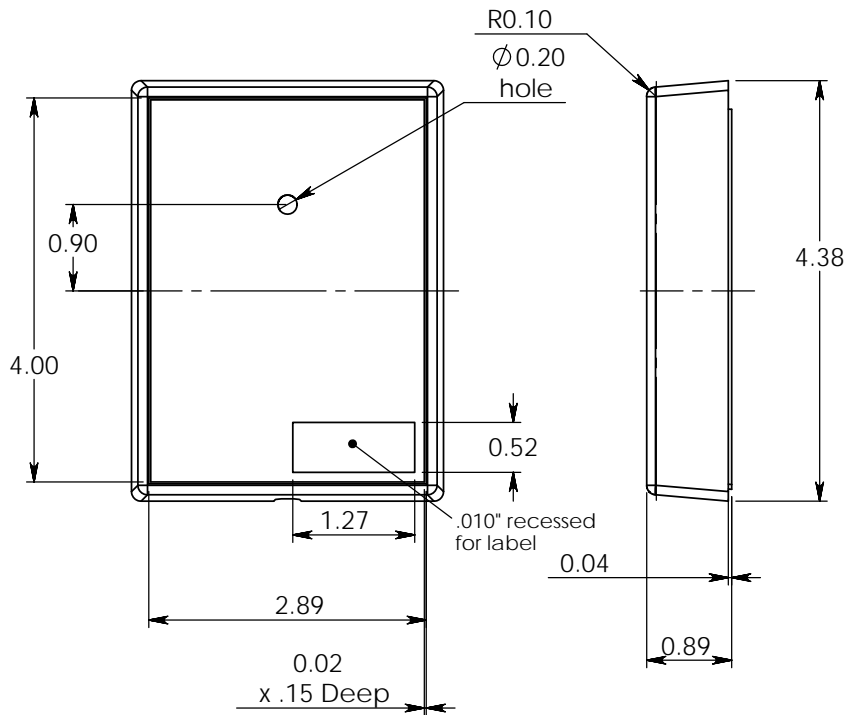
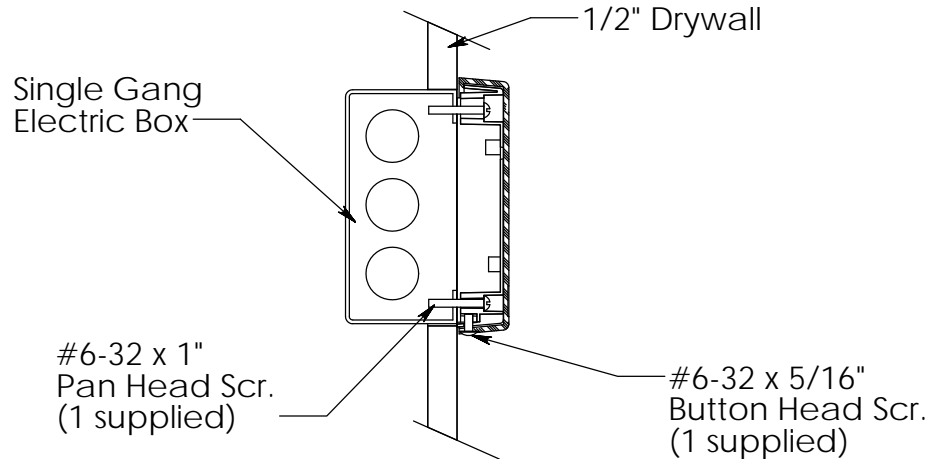
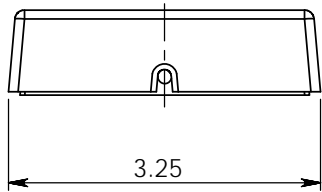
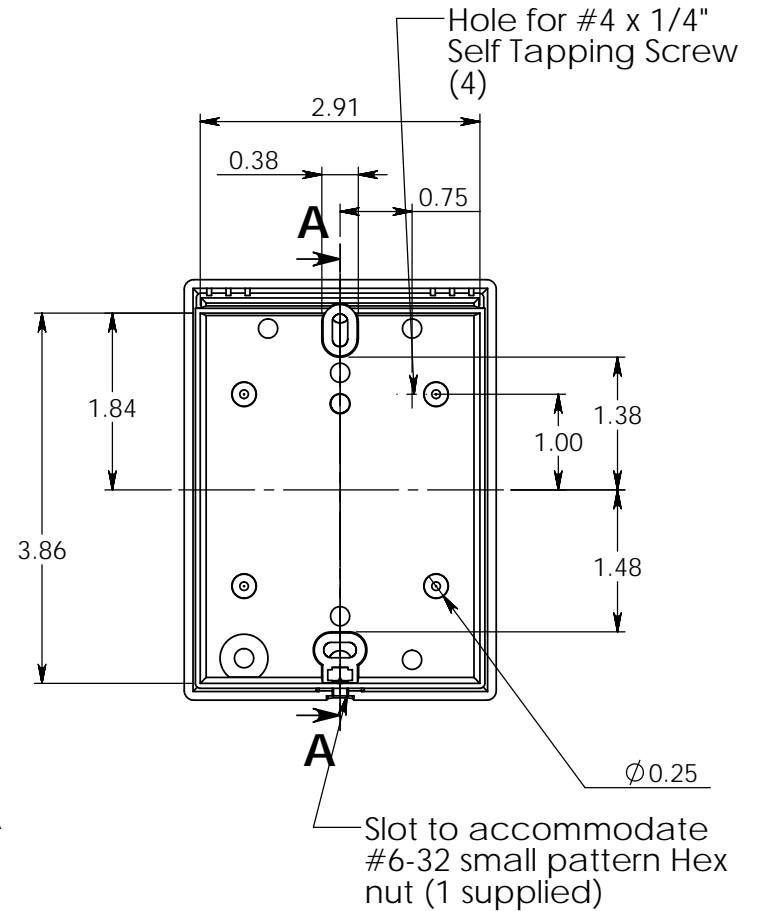


SERPAC **G10A**

Electronic Enclosures



SECTION A-A



NOTES: