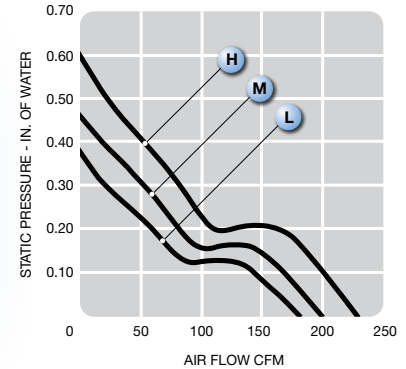
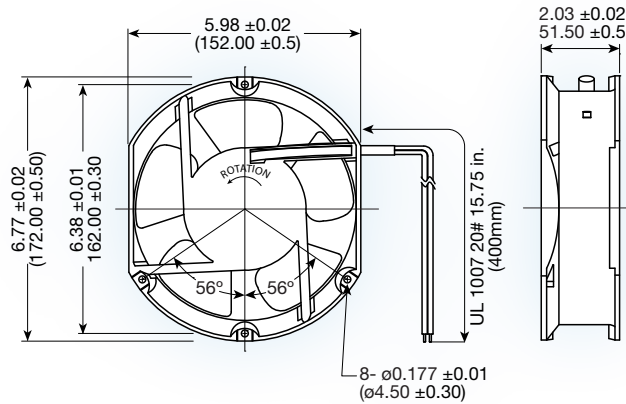




# LPH15P99 series



**(172 x 152 x 51 mm)**  
6.77 x 5.98 x 2.03 inches



Operating voltage: 85 to 265 VAC

Construction: aluminum frame; plastic impeller

Bearing option: ball bearing

Motor: electronically commutated

Air flow: exhaust over struts

Connection: lead wire UL1007 22AWG or terminal

Protection/IP Level: auto restart / IP54

Options: tachometer, PWM, environmental protection

Model No.	Rated Voltage V	Freq. HZ	Input Power W	Rated Cur. A	Speed RPM	Air Volume		Max. Static Pressure (H <sub>2</sub> O)		Sound Noise dB(A)	Weight g
						M <sup>3</sup> /Min.	CFM	MM	INCH		
LPH15P99-L	100-240	50/60	11.0	0.10	2500	5.1	181	9.7	0.38	48	720
LPH15P99-M	100-240	50/60	19.0	0.17	2800	5.6	199	11.7	0.46	51	720
LPH15P99-H	100-240	50/60	22.5	0.20	3200	6.4	228	15.2	0.60	55	720