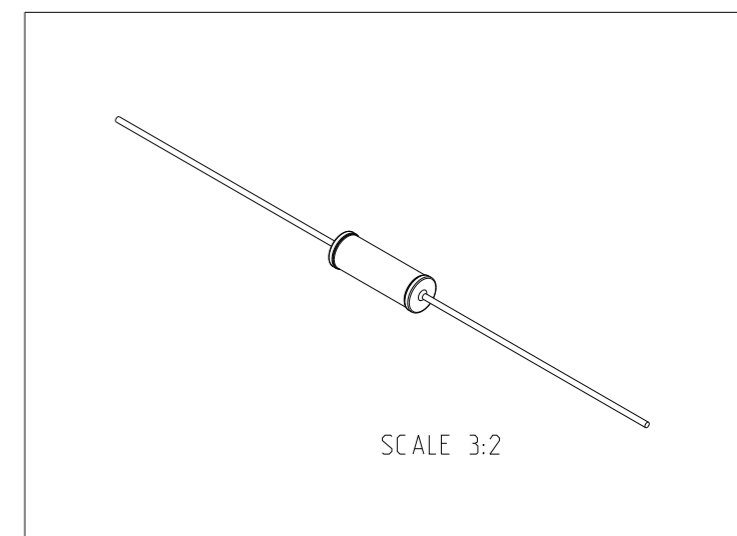
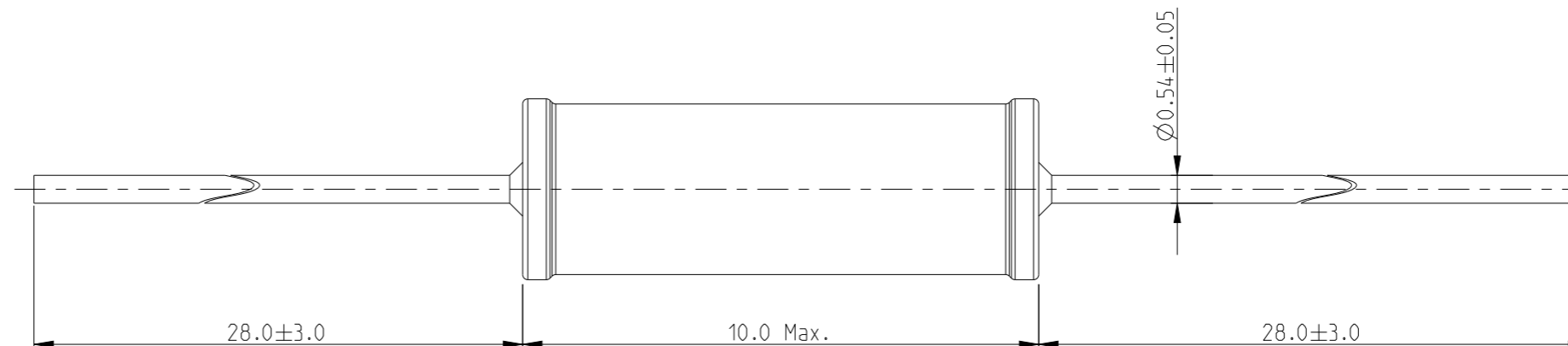
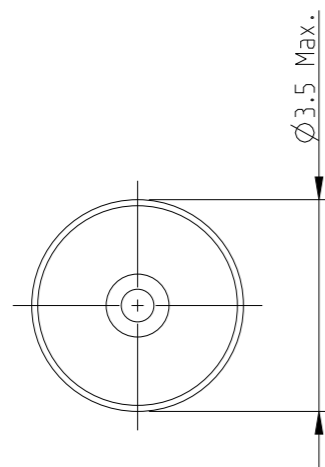


REVISIONS

P	LTR	DESCRIPTION	DATE	DWN	APVD
	BA	NEW RELEASE	23-MAR-10	MRS	St.P
	BB	CLARIFICATION OF DIMENSIONS	18JAN2023	DM	AP

FOR FURTHER INFORMATION SEE DATA SHEET FOR SERIES LR, METAL FILM FIXED RESISTORS



RoHS Compliant

THIS DRAWING IS A CONTROLLED DOCUMENT.

DWN MAHARUDRA 23-MAR-10

CHK ALLAN.P 23-MAR-10

APVD STEPHEN.P 23-MAR-10

PRODUCT SPEC -

APPLICATION SPEC -

WEIGHT -

CUSTOMER DRAWING

NAME METAL FILM FIXED RESISTORS SERIES LR2



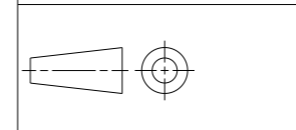
SIZE CAGE CODE DRAWING NO RESTRICTED TO

A3 00779 C=1622672 -

SCALE 8:1 SHEET 1 OF 1 REV BB

DIMENSIONS: mm

TOLERANCES UNLESS OTHERWISE SPECIFIED:



0 PLC	± 0.2
1 PLC	± 0.1
2 PLC	\pm
3 PLC	\pm
4 PLC	\pm
ANGLES	$\pm 5^\circ$

MATERIAL - material_2

FINISH - finish_spec_2