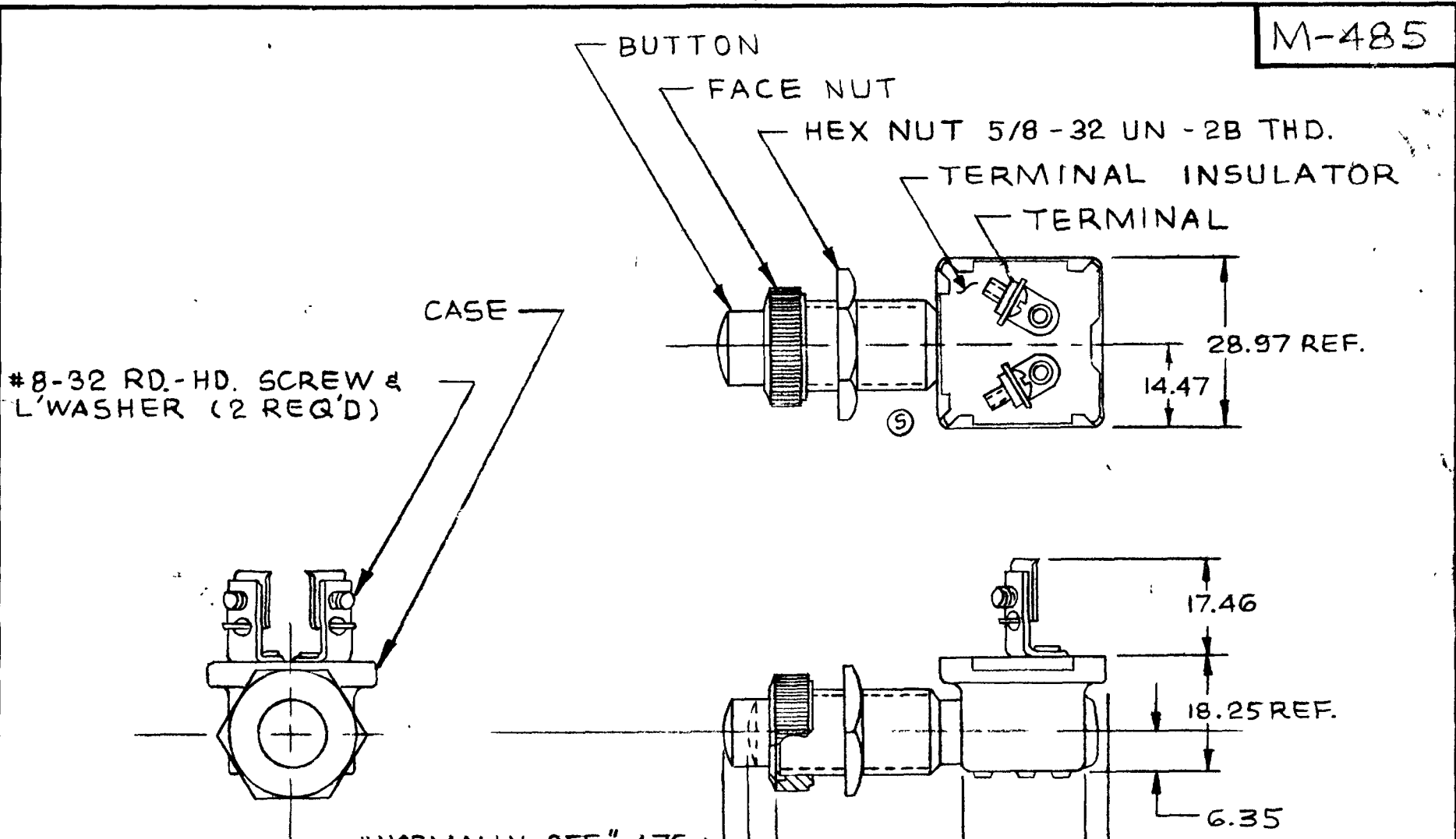


M-485

MM	IN
3.96	.156
4.76	.187
9.52	.375
14.47	.570
17.46	.687
18.25	.718
20.82	.820
21.08	.830
28.97	1.140
31.75	1.250
6.35	.250



NOTES:

- 1. ALL METAL PARTS TO BE BRASS UNLESS OTHERWISE SPECIFIED
- 2. INSERTION PRESSURE 3 1/2 # TO 5 #

METRIC

Ⓢ 3. ALL HARDWARE SHIPPED LOOSE

10 AMP5 @ 12 VDC

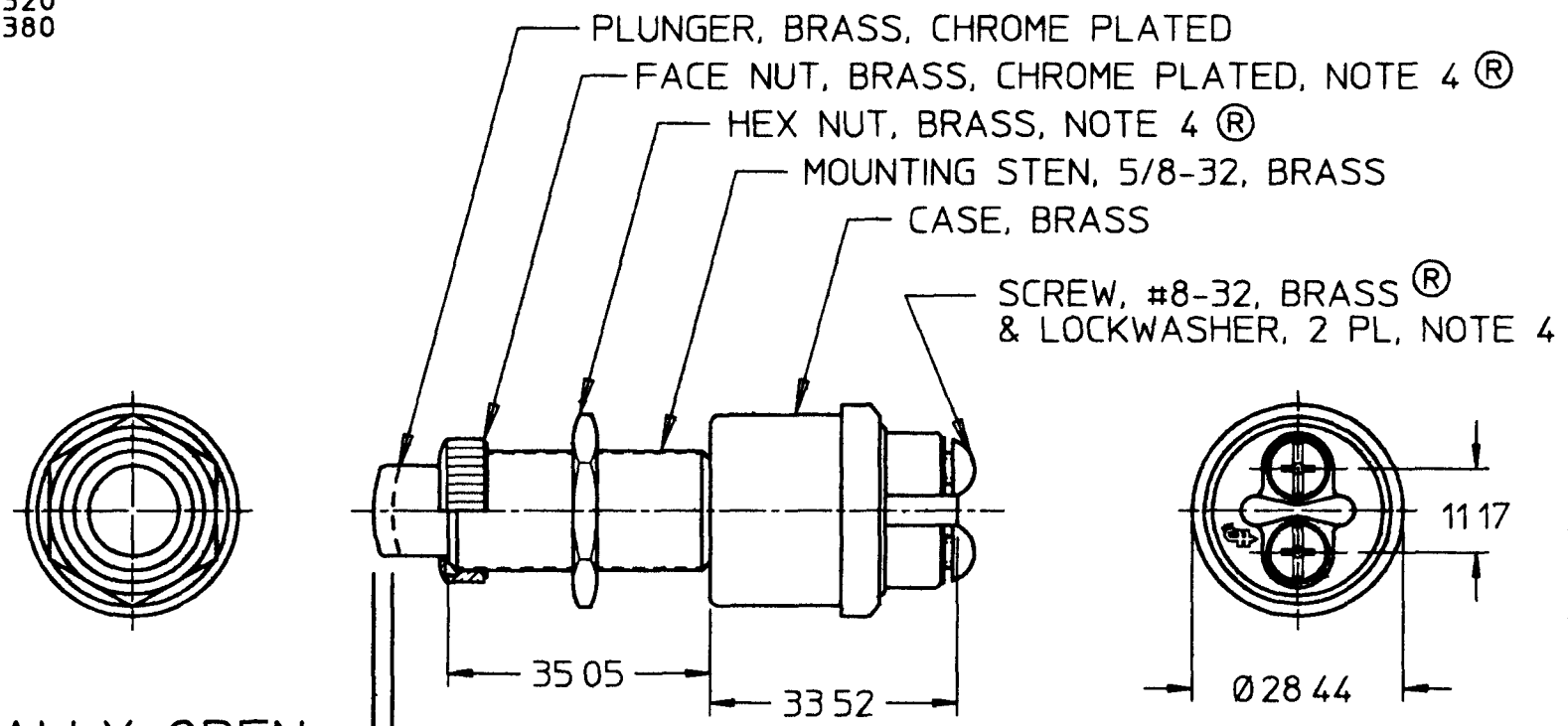
DO NOT SCALE

LET	WAS	DATE	BY	LET	WAS	DATE	BY	MATERIAL	DRAWN	CHECKED	APPRVL	SCALE	DATE DRAWN
								NOTED	JE			1:1	3-3-50
								FINISH	 20 DULL C. K. ONY AVENUE SOUTH BOSTON, MA. U.S.A. 02127				DATE BLUEPRINT
				T	ECN # 99193	5/13/99	RF	NOTED					
				S	ECN # 27164 ADDED CUTOUT	12-31-97	mp	TOLERANCES	SWITCH, MOMENTARY N.O.				M-485
				R	REDRAWN	8/6/90	BL	DECIMAL ± .015 METRIC ± .010					

CH-188(4-78)

M490

MM	IN
11 17	0 440
28 44	1 120
33 52	1 320
35 05	1 380



NORMALLY OPEN

CLOSED

SELF RETURN TO NORMALLY OPEN POSITION

- (R) NOTES
- 1 ALL DIMENSIONS ARE REFERENCE ONLY
 - 2 SILVERED CONTACT SURFACES
 - 3 RATING
12V DC 35 AMPS
24V DC 20 AMPS
 - 4 PARTS MAYBE ASSEMBLED OR SUPPLIED IN A BAG

METRIC

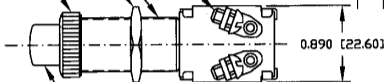
DO NOT SCALE

LET	WAS	DATE	BY	LET	WAS	DATE	BY	MATERIAL	DRAWN	CHK	APVD	SCALE	DATE DRAWN
									RD	JMP		11	12/14/53
								FINISH	Cole Hersee Co. 20 OLD COLONY AVENUE, BOSTON, MA., U.S.A., 02127				DATE BLUEPRINTED
				R	ECN #26936	7/24/97	AJS	TOLERANCES	SW, P-P, MOM				M490
				P	PUT ON CAD	7/26/96	DPS	DECIMAL ± ANGLE ±					

Revision Control Record

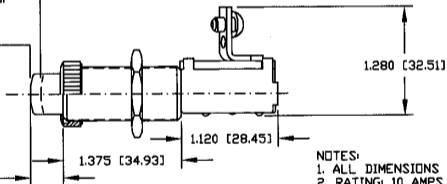
Rev.	Description of Change	ECN No.	Date
L	NOTE 3	00796	10/24/00

FACE NUT, BRASS, CHROME PLATED, NOTE 3
 HEX NUT, BRASS, NOTE 3
 MOUNTING STEM, 5/8-32, BRASS
 SCREW, #8-32, BRASS,
 2 PL, NOTE 3



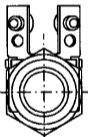
ON
 WHEN DEPRESSED
 0.080[2.03]/0.160[4.07] &
 THRU REMAINDER OF
 TRAVEL

OFF



NOTES:

1. ALL DIMENSIONS ARE REFERENCE ONLY
2. RATING: 10 AMPS @ 12V DC
3. ALL HARDWARE SHIPPED LOOSE



TOLERANCES Unless otherwise specifically noted, the following are default tolerances:
 • 2-place Decimal Dimensions $\pm .02"$
 • 3-place Decimal Dimensions $\pm .005"$
 • Angular Dimensions ± 1.0 Deg.
 • Metric: Refer to equivalent English Dimension Tolerance
 *** NOTE: All tolerances are Non-Cumulative. ***

Dimensional Units All dimensions are expressed in inches except those shown in brackets (xxx) are expressed in millimeters

"REF." or an Asterisk (*) = Non-Tolerance of Reference Dimension, shown for classification purposes only

PROPRIETARY INFORMATION This Engineering Drawing, and the information contained herein, is proprietary to Cole Hersee Company and may not be disclosed, reproduced, or in any other way transferred or communicated to any other party without the express written consent of an authorized representative of Cole Hersee Company.

DESIGN CONTROL It is the responsibility of the individual using / referencing this drawing to ensure that the noted design revision level agrees with the revision level of the Controlled Document (Master Drawing). This is a NON-CONTROLLED DOCUMENT unless otherwise specifically noted.

DO NOT SCALE - Dimensional variation may occur during printing / reproduction.

Key for Special Characteristics:

- ⊕ Critical Characteristic, relating to Safety and/or Regulatory Compliance
- ⊗ Significant Characteristic relating to Process Control (SPC)
- ⊕ Control Dimension relating to Form - Fit - Function as defined by Cole Hersee Company and/or the Customer

(Note that the identification of any Characteristics as being "Special" does not alter the requirement that ALL specified dimensions & tolerances must be met.)

Cole Hersee Co.



20 Old Colony Ave., South Boston, MA, 02127
 PHN: 617-269-2100 Web: www.colehersee.com

Description: SWITCH, PUSH-PULL

Drawing / Part No.:

M492

Current Rev.

L

Used On or Ref.: Scale: **1:1**

Drawn By: **S**

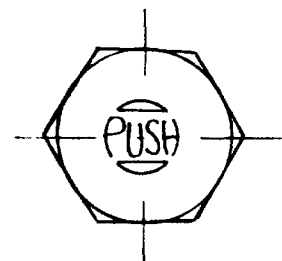
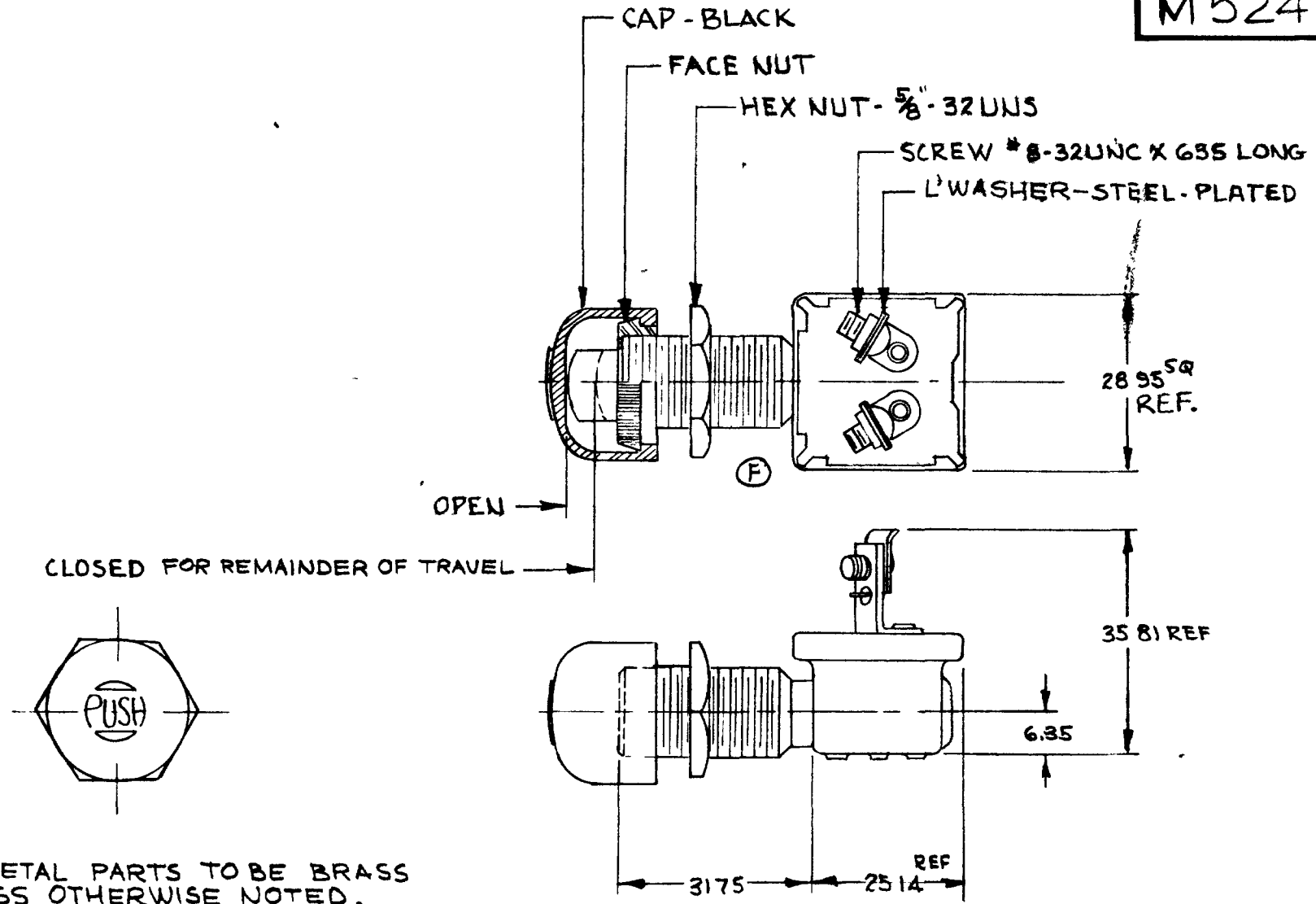
Date Drawn: **9/30/54**

Responsible Engineer: **N/A**

Pg. 1 of 1

MM IN
 0.25 010
 6.35 250
 25.4 990
 28.95 1140
 31.75 1250
 35.81 1410

M524



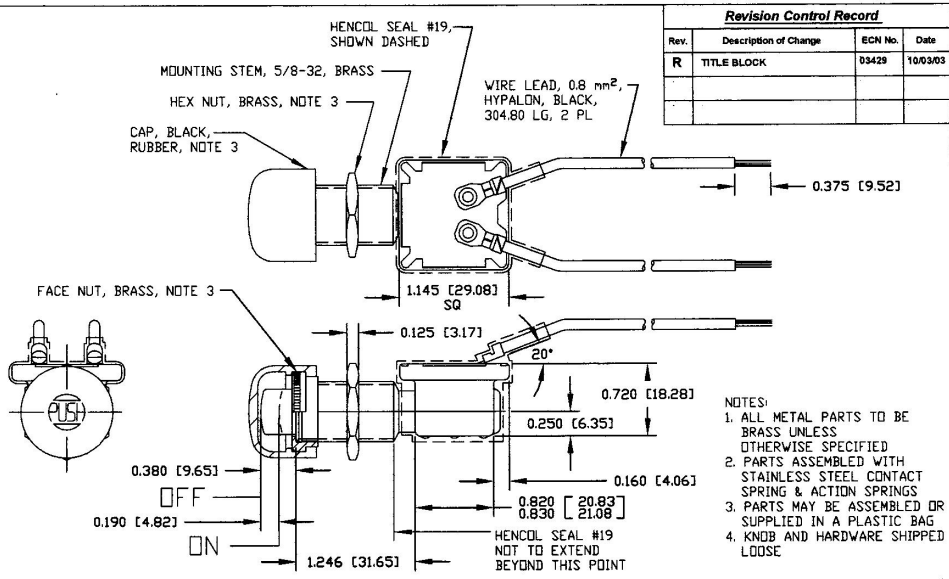
NOTES:
 1. ALL METAL PARTS TO BE BRASS UNLESS OTHERWISE NOTED.
 2. CAP AND HARDWARE SHIPPED LOOSE

METRIC

DO NOT SCALE

LET	WAS	DATE	BY	LET	WAS	DATE	BY	MATERIAL	DRAWN	CHECKED	APPRV D	SCALE	DATE DRAWN
									EA	RJA		1:1	2-6-64
								FINISH	 20 OLD COLON ENNE SOU BOS OR US 02 2				DATE BLUEPRINT
				G	ECN #19173	5/13/61	JRF						
				F	ECN 27164 ADDED CUTOUT	12-31-62	Jap	TOLERANCES	MOM. SWITCH NO				M524
				E	REDRAWN	3-24-67	ZU	DECIMAL ± METRIC ±0.25					

CH 188(4 78)



Revision Control Record			
Rev.	Description of Change	ECN No.	Date
R	TITLE BLOCK	03429	10/03/03

- NOTES:
1. ALL METAL PARTS TO BE BRASS UNLESS OTHERWISE SPECIFIED
 2. PARTS ASSEMBLED WITH STAINLESS STEEL CONTACT SPRING & ACTION SPRINGS
 3. PARTS MAY BE ASSEMBLED OR SUPPLIED IN A PLASTIC BAG
 4. KNOB AND HARDWARE SHIPPED LOOSE

Tolerances: Unless otherwise specifically noted, the following are default tolerances:
 * 3-place Decimal Dimensions +/- .01"
 * 5-place Decimal Dimensions +/- .001"
 * Angular Dimensions +/- 1.0 Deg.
 * Holes: Refer to equivalent English Dimensional Tolerance
 *** NOTE: All tolerances are Non-Convulsive. ***

Dimensional Units: All dimensions are expressed in inches except those shown in brackets (xx) are expressed in millimeters

"REF." or an Arrow to M: Non-Tolerance Reference Dimension, shown for identification purposes only.

PROPRIETARY INFORMATION: This Engineering Drawing, and the information contained herein, is proprietary to Cole Horse Company and may not be disclosed, reproduced, or in any other way transferred or communicated to any other party without the express written consent of an authorized representative of Cole Horse Company.

DESIGN CONTROL: It is the responsibility of the individual using/referencing this drawing to ensure that the noted design revision level agrees with the revision level of the Dimensional Document (shop Drawing). This is a non-conformance condition unless otherwise specifically noted.

DO NOT SCALE: Dimensional variation may occur during printing/ reproduction.

- Special Characteristics:**
- Critical Characteristics, relating to Safety and/or Regulatory Compliance
 - Key Characteristics relating to Process Control (SPC)
 - Key Characteristics relating to Form - Fit - Function as defined by Cole Horse Company and/or the Customer
- Note that the identification of any Characteristics as being "Key" does not alter the requirement that ALL specified dimensions & tolerances must be met.*

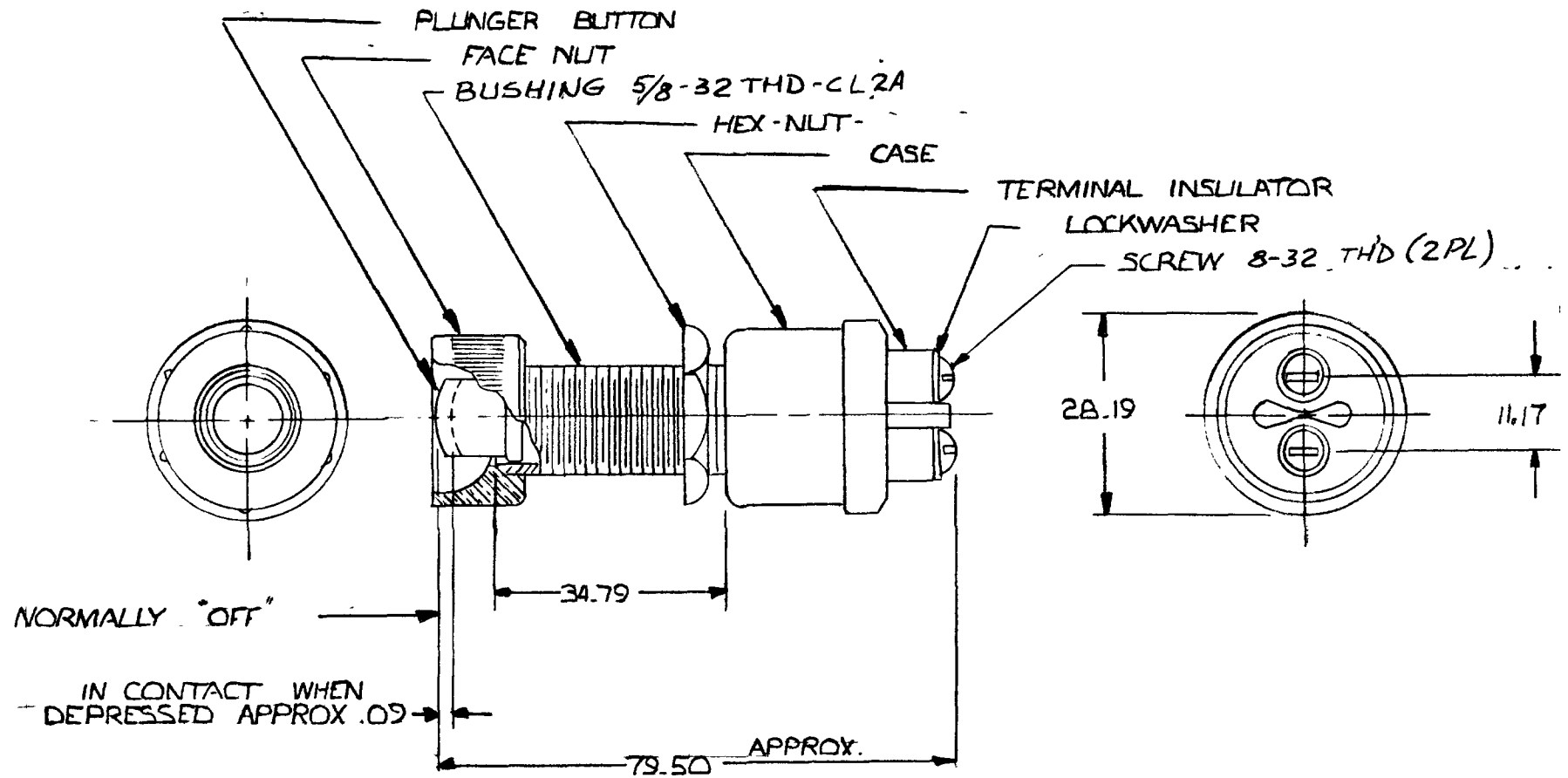
Cole Horse Co.
 20 Old Colony Ave., South Boston, MA, 02127
 Phone: 617-388-2100 Web: www.colehorse.com

Description: **SWITCH, MOM** ®

Used On or Ref.:	Scale: 1:1	Drawn By: EA	Date Drawn: 10/2/09	Responsible Engineer:	Pg. 1 of 1	Drawing/Part No.: M-608	Current Rev.: R
------------------	-------------------	---------------------	----------------------------	-----------------------	------------	--------------------------------	------------------------

M612

mm IN
 .09 .004
 11.17 .44
 28.19 1.11
 34.79 1.37
 79.50 3.13



NOTE:
 SILVER LAMINATED CONTACT SURFACES

35 AMPS @ 12V DC

METRIC

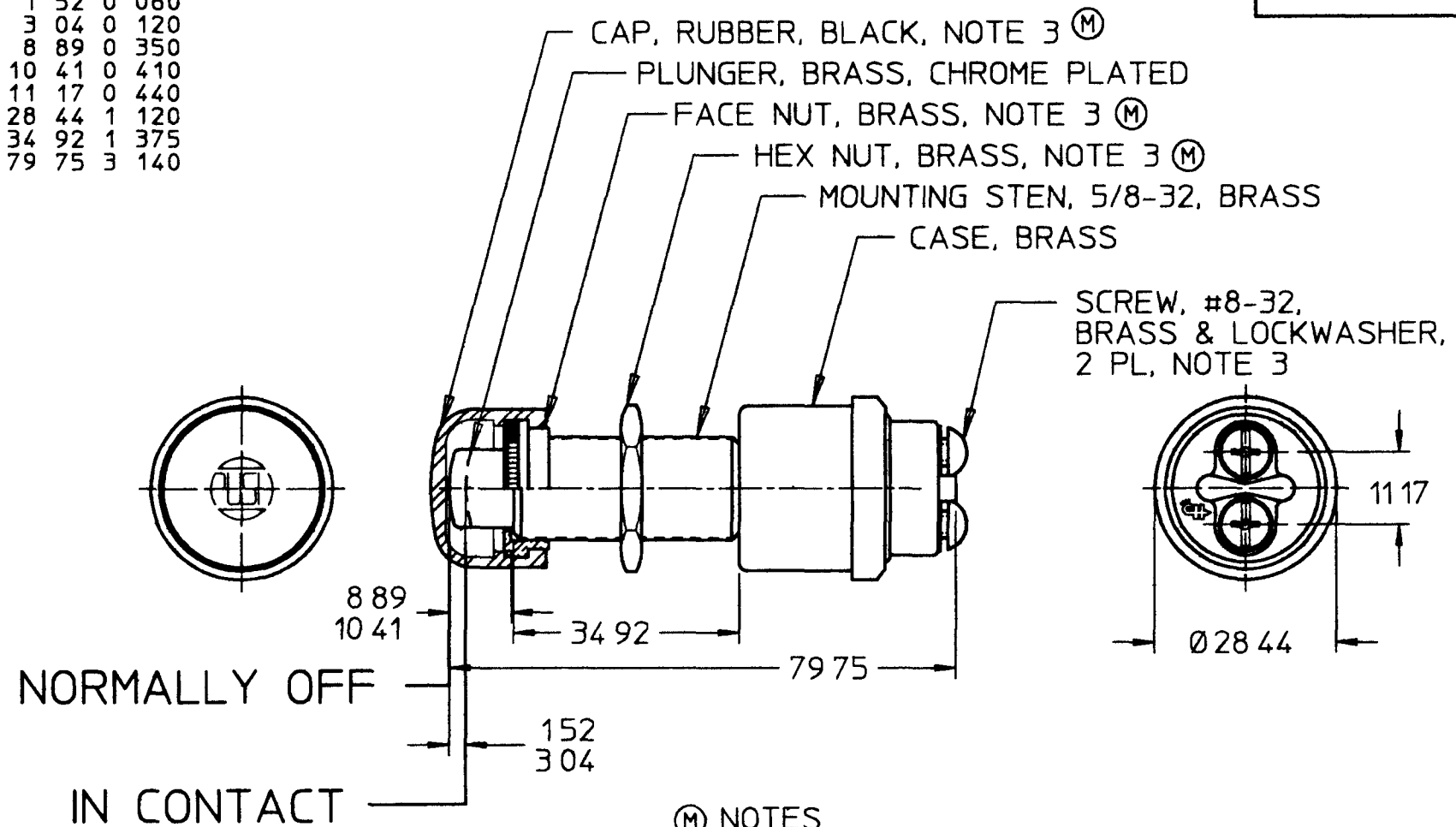
DO NOT SCALE

LET	WAS	DATE	BY	LET	WAS	DATE	BY	MATERIAL	DRAWN	CHECKED	APPRV D	SCALE	DATE DRAWN
								NOTED	J	K	HF	1:1	12-18-87
								FINISH NOTED	 Cole Hersee Co. <small>20 OLD COLONY AVENUE SOUTH BOSTON MA. U.S.A. 02127</small>				DATE BLUEPRINT
								TOLERANCES DECIMAL ± METRIC ±.010					HEAVY DUTY STARTER SWITCH
					REDRAWN	12-21-87	J						

CH-188(4-78)

M626

MM	IN
1 52 0 060	
3 04 0 120	
8 89 0 350	
10 41 0 410	
11 17 0 440	
28 44 1 120	
34 92 1 375	
79 75 3 140	



- (M) NOTES
- 1 ALL DIMENSIONS ARE REFERENCE ONLY
 - 2 RATING
12V DC 35 AMPS
24V DC 20 AMPS
 - 3 PARTS MAY BE ASSEMBLED OR SUPPLIED IN A PLASTIC BAG

METRIC

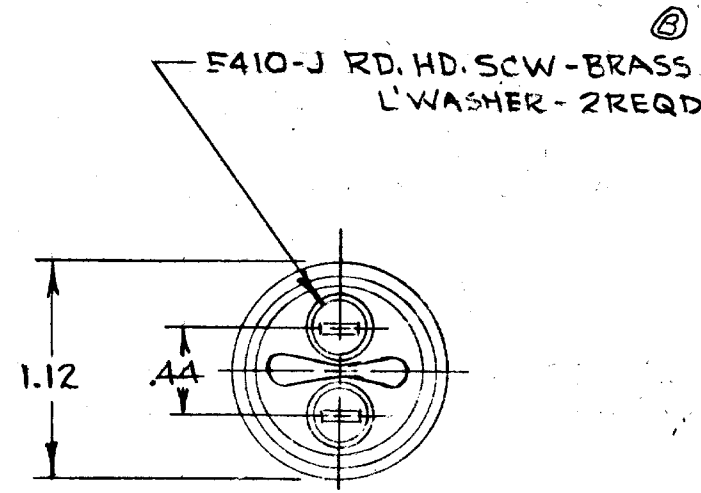
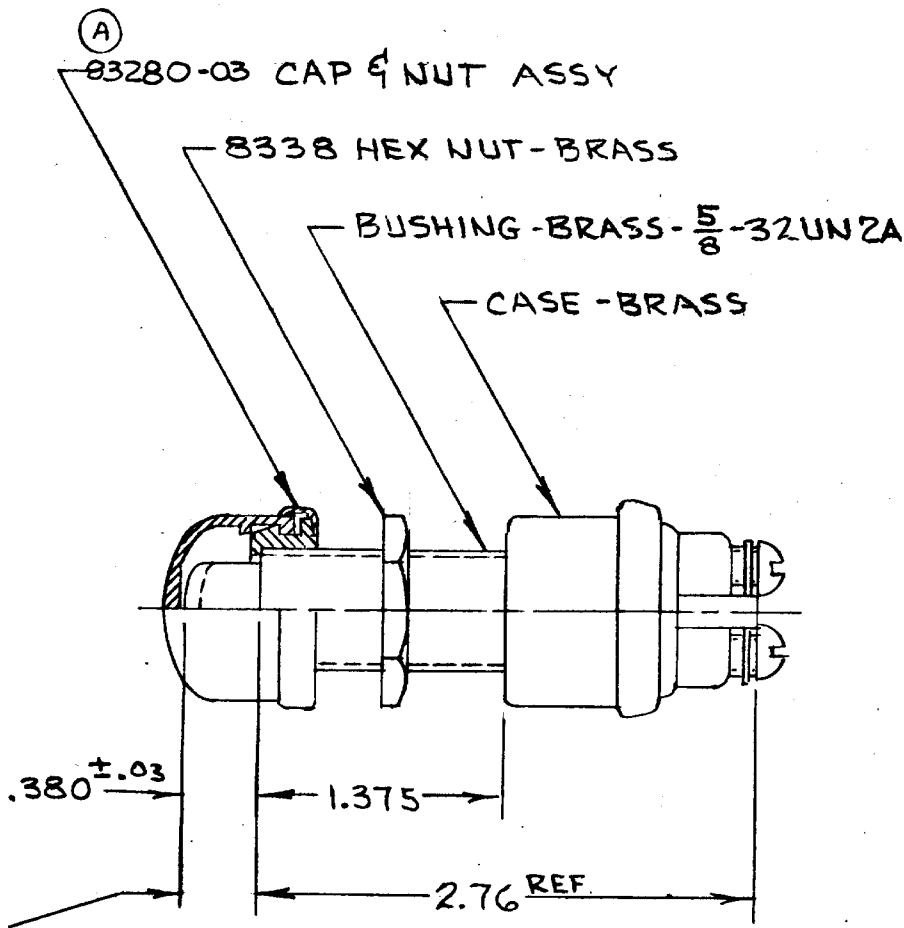
DO NOT SCALE

LET	WAS	DATE	BY	LET	WAS	DATE	BY	MATERIAL	DRAWN	CHK	APVD	SCALE	DATE DRAWN
									PLB	JMP		11	12/27/56
								FINISH	Cole Hersee Co. 20 OLD COLONY AVENUE, BOSTON, MA, U.S.A. 02127				DATE BLUEPRINTED
				M	ECN #26836 BAGGED PARTS	7/25/97	AJS	TOLERANCES	SW, P-P, MOM				M626
				L	PUT ON CAD	7/26/96	DPS	DECIMAL ± ANGLE ±					

COLE-HERSEE CO.

MFM

M626-02



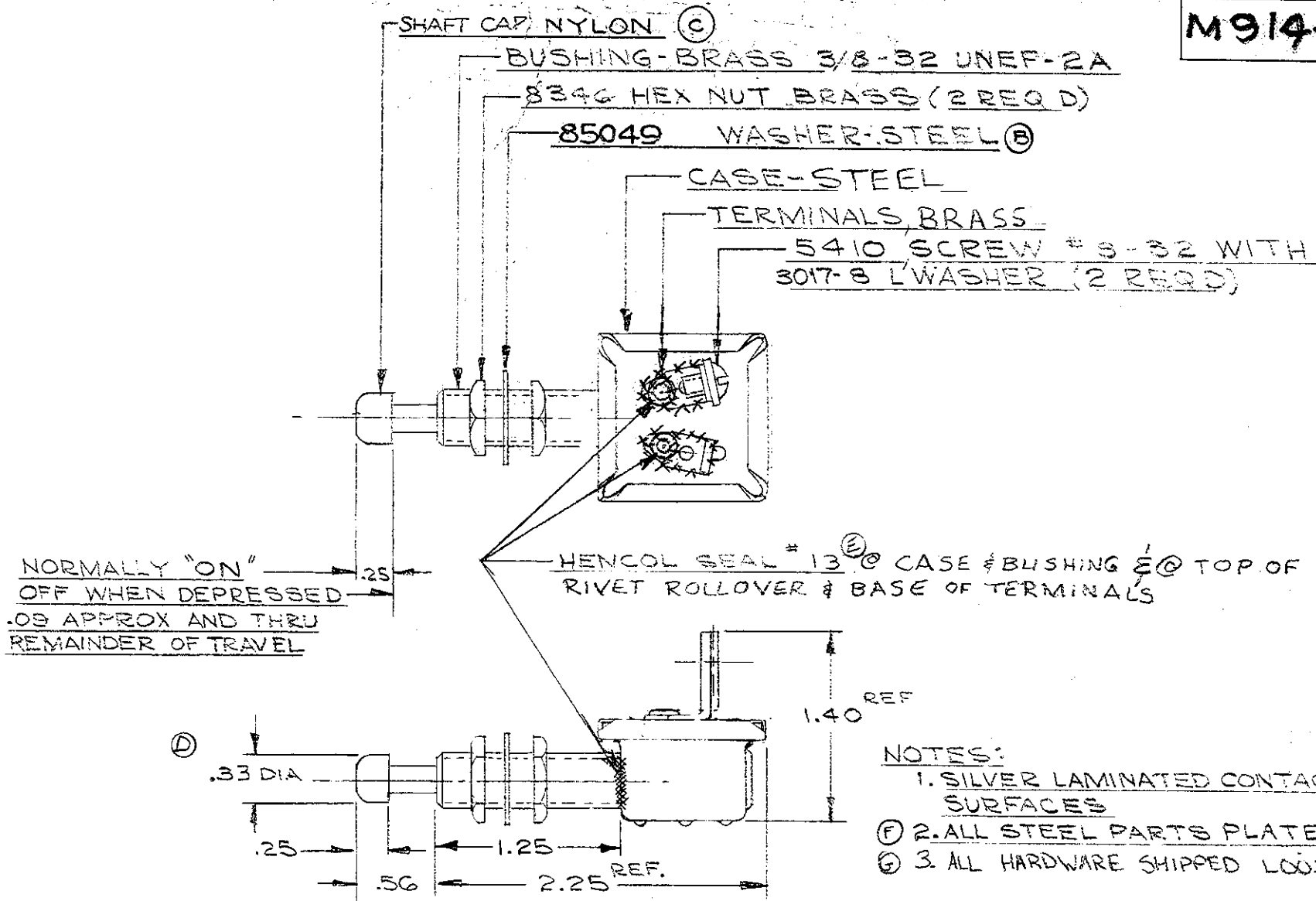
CONTACTS NORMALLY OPEN.
CLOSE WITH PLUNGER DEPRESSED
.060 - .120 & THRU REMAINDER
OF TRAVEL.

CURRENT RATINGS	
35 AMPS	12V. DC
20 AMPS	24V DC

DO NOT SCALE

PEEBODY GALLION

LET	WAS	DATE	BY	LET	WAS	DATE	BY	MATERIAL	DRAWN	CHECKED	APPR'D	SCALE	USED ON	DATE DRAWN
									RJF	CB			M626 w/ 83280 CAP	3-1-71
				B	ECN 23741	5-19-88	JK		COLE-HERSEE COMPANY BOSTON, MASS. 02127, U.S.A.					DATE BLUEPRINT
				A	83280 / 20662	8-2-79	JV							
				T	RELEASE	8-25-71	JF	TOLERANCE UNLESS SPECIFIED 2 DECIMAL + .010 3 DECIMAL + .005 ANGULAR + 2°	STARTER SW.					PART NO. M626-02



- NOTES:
- 1. SILVER LAMINATED CONTACT SURFACES
 - (F) 2. ALL STEEL PARTS PLATED
 - (G) 3. ALL HARDWARE SHIPPED LOOSE

CONFIDENTIAL PROPERTY OF COLE HERSEE

DO NOT SCALE

LET	WAS	DATE	BY	LET	WAS	DATE	BY	MATERIAL	DRAWN	CHECKED	APPRVD	SCALE	USED ON M914 LESS PVC, WITH EPOXY SEAL, & L WASHER	DATE DRAWN
				D	.32 DIA / 21629	2-16-82	(B)	#	CF	LPG		FULL		3-12-69
H	ECN # 09002	1-16-69	S	C	BUTTON / 18761	9-6-74	BY	FINISH	COLE-HERSEE COMPANY BOSTON, MASS. 02127, U.S.A.					DATE BLUEPRINT
G	ECN # 991193	5/13/69	K	B	1220 / 12978	8-3-70	JH	#						
F	2AD OR 2INC / 25234	12/23/62	JH	A	ADDED / 16910	2-18-70	JH	TOLERANCE UNLESS SPECIFIED 2 DECIMAL + .010 3 DECIMAL + .005 ANGULAR + .2	NAME NORMALLY ON PLUNGER SWITCH					PART NO. M914-01
E	REVISED HENCOL SEAL	3/27/84	PS		ISSUED	3-17-64	7							