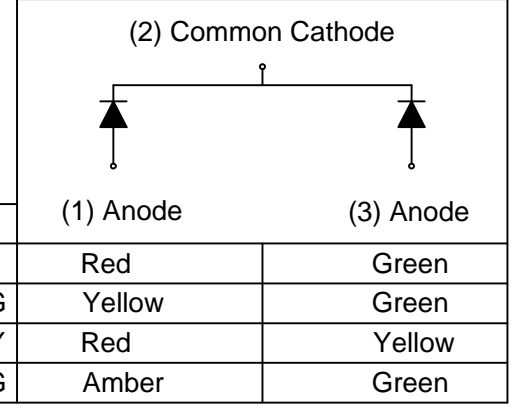
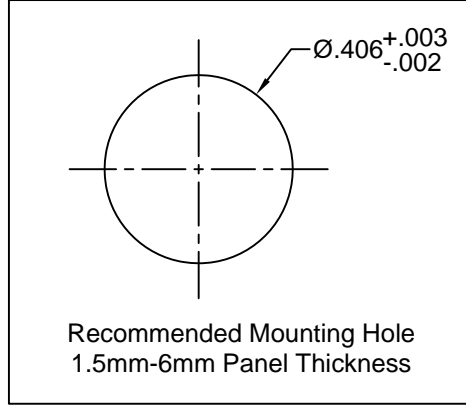
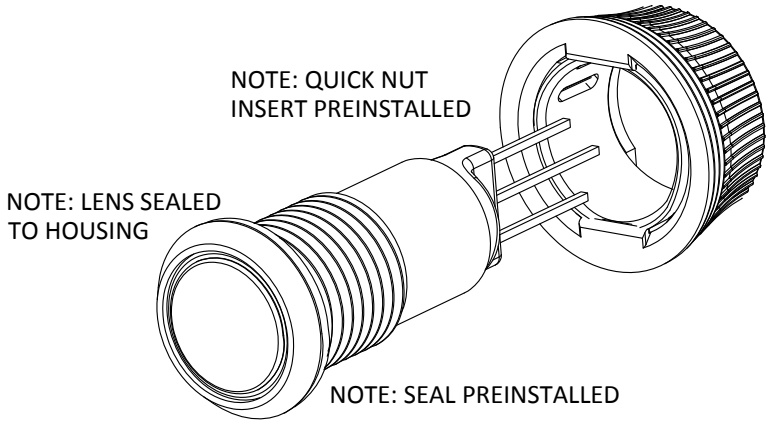
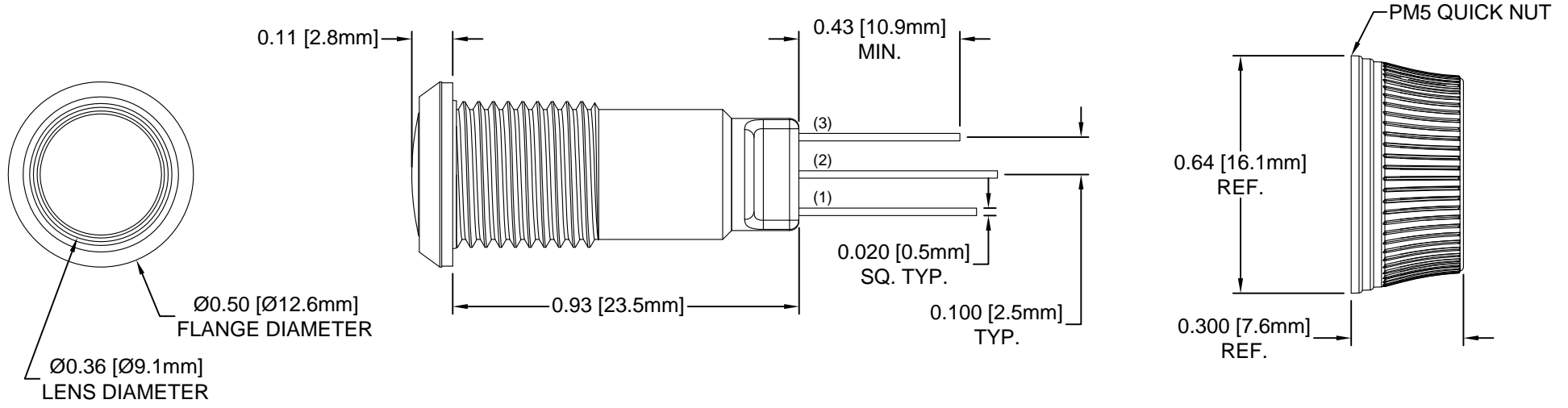


| REV. | DESCRIPTION                    | DATE     | APPROVED |
|------|--------------------------------|----------|----------|
| A    | Engineering Release            | 04/29/14 | J. C.    |
| B    | Added 5BC-3-A/G Spec on Page 2 | 08/22/16 | J. C.    |
|      |                                |          |          |
|      |                                |          |          |



EXAMPLE:  
**PM53-KNBC**  
 LED Colors  
 Series

NOTES:  
 1. ROHS COMPLIANT  
 2. MOUNTING HARDWARE SHIPPED NON-ASSEMBLED


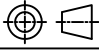
|  |                          |  |                       |
|--|--------------------------|--|-----------------------|
| STANDARD TOLERANCE<br>(UNLESS OTHERWISE SPECIFIED) |                          | <br>4 THOMAS, IRVINE, CA. 92618<br>TEL: (949) 951-8808 FAX: (949) 951-3974 |                       |
| DECIMALS   | ANGULAR                  |  |                       |
| .X ± .1  | X° ± 1°                  | <br><b>TITLE:</b> Quick-Mount Panel Mount Indicator, 3-Lead Bi-Color       | <b>REVISION:</b><br>B |
| .XX ± .02  |                          |  |                       |
| .XXX ± .010  |                          | <b>PART NO:</b> PM53-KNXX  | <b>SHEET # 1 OF 2</b> |
| DESIGNED:<br><b>M. Doan</b>                        | DATE:<br><b>04/21/14</b> | <b>CAGE CODE :</b> 32559   |                       |
| CHECKED:<br><b>B. Oliver</b>                       | DATE:<br><b>04/21/14</b> | <b>SHEET # 1 OF 2</b>  |                       |
| CAD GENERATED DOCUMENT. DO NOT MEASURE DRAWING.    |                          |  |                       |

|      |              |      |          |
|------|--------------|------|----------|
| REV. | DESCRIPTION  | DATE | APPROVED |
|      | SEE SHEET #1 |      |          |
|      |              |      |          |

| Assembly Part Number | LED P/N   | Peak Wave Length $\lambda_p$ (nm) | Emitted Color | Electro-Optical Data @ 20mA |                   | Viewing Angle |
|----------------------|-----------|-----------------------------------|---------------|-----------------------------|-------------------|---------------|
|                      |           |                                   |               | Typ Vf (VDC)                | Assembly Iv (mcd) |               |
|                      |           |                                   |               | TYP                         | TYP               |               |
| PM53-KNBC            | 5BC-3     | 625                               | RED           | 2.0                         | 12                | 120           |
|                      |           | 568                               | GREEN         | 2.1                         | 12                |               |
| PM53-KNYG            | 5BC-3-Y/G | 590                               | YELLOW        | 2.0                         | 11                | 120           |
|                      |           | 568                               | GREEN         | 2.1                         | 12                |               |
| PM53-KNRY            | 5BC-3-R/Y | 625                               | RED           | 2.0                         | 12                | 120           |
|                      |           | 590                               | YELLOW        | 2.0                         | 11                |               |
| PM53-KNAG            | 5BC-3-A/G | 605                               | AMBER         | 2.0                         | 11                | 120           |
|                      |           | 568                               | GREEN         | 2.1                         | 11                |               |

### ABSOLUTE MAXIMUM RATINGS (Ta = 25°C)

MAXIMUM REVERSE VOLTAGE \_\_\_\_\_ 5V  
 MAXIMUM POWER DISSIPATION \_\_\_\_\_ 150 mW  
 OPERATING TEMPERATURE RANGE \_\_\_\_\_ -30°C ~ 85°C  
 STORAGE TEMPERATURE \_\_\_\_\_ -40°C ~ 85°C

|   |  |  |  |
|---|--|--|--|
| STANDARD TOLERANCE<br>(UNLESS OTHERWISE SPECIFIED)<br>DECIMALS                      ANGULAR |  | <br>4 THOMAS, IRVINE, CA. 92618<br>TEL: (949) 951-8808    FAX: (949) 951-3974 |  |
|        |  | <b>TITLE:</b> Quick-Mount Panel Mount Indicator, 3-Lead Bi-Color   |  |
|   |  | <b>DESIGNED:</b><br><b>M. Doan</b>   | <b>DATE:</b><br><b>04/21/14</b>  |
| <b>CHECKED:</b><br><b>B. Oliver</b>   |  | <b>DATE:</b><br><b>04/21/14</b>  | <b>CAGE CODE :</b> 32559 <b>SHEET #</b> 2 OF 2<br><small>CAD GENERATED DOCUMENT. DO NOT MEASURE DRAWING.</small> |