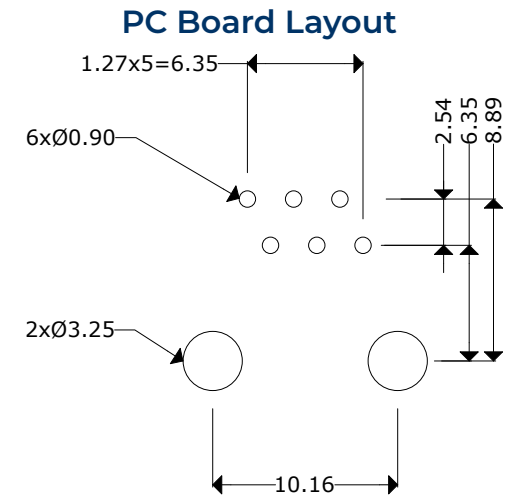
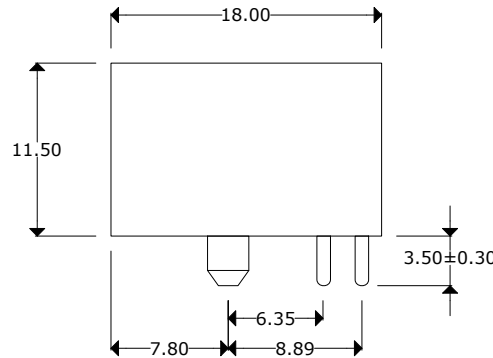
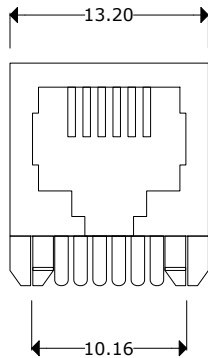
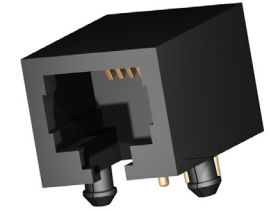


SCNRJ - 66SGNNNN - 471F SO RTH

SUNTSU	RJ45	CONTACTS 6 : 6	MAGENETIC N : None	EMI Finger N : None	OPERATING TEMP 47 : -40~70°C	CONTACT TERMINATION SO : SOLDER
CONNECTOR	POSITIONS 6 : 6	CONTACT PLATING SG : Selective Gold Plating	SHIELD N : None	LED COLOR N : None	HEIGHT 1F : 11.5mm	MOUNTING STYLE RTH : Right Angle Through Hole



Electrical Parameters

Voltage Rating: 125V
 Current Rating: 1.5A
 Contact Resistance: 30mΩ Max
 Insulation Resistance: 500MΩ/min.
 Dielectric Withstanding Voltage: 1000V

Materials

Housing: Glass Fiber, PBT, UL94V-0, Black
 Contact: 0.35 thickness phosphor bronze
 Plating: 6" Gold plated over Nickel on contact area,
 Tin plated over Nickel on solder area.

Remarks:
 Operating Life: 750 Cycles MIN.



RJ45 JACK SIDE ENTRY

Document History				Part No.	Drawn
Edits Made	Date	Edited By	Approved By	SCNRJ-66SGNNNN-471FSORTH	B. Gibbons 10/21/2021
Initial Release	10/21/2021	B. Gibbons	KH Mun	Scale	Tolerance
				Not drawn to scale	.x±0.25 Unless otherwise stated, tolerances are .xx±0.20
				Unit	Pages
				mm	1/1