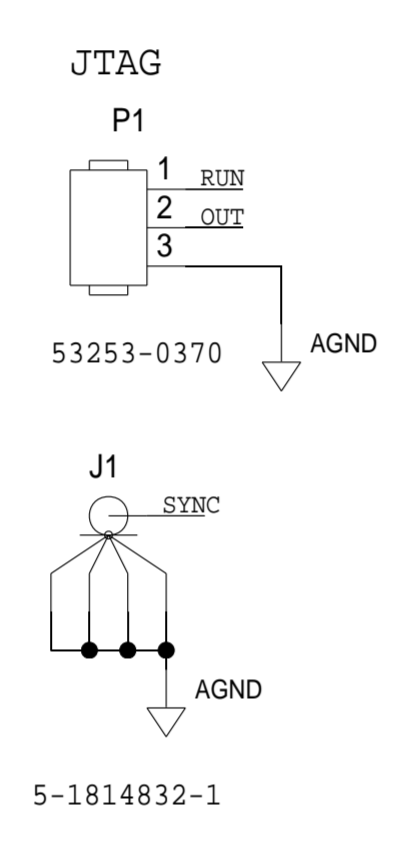
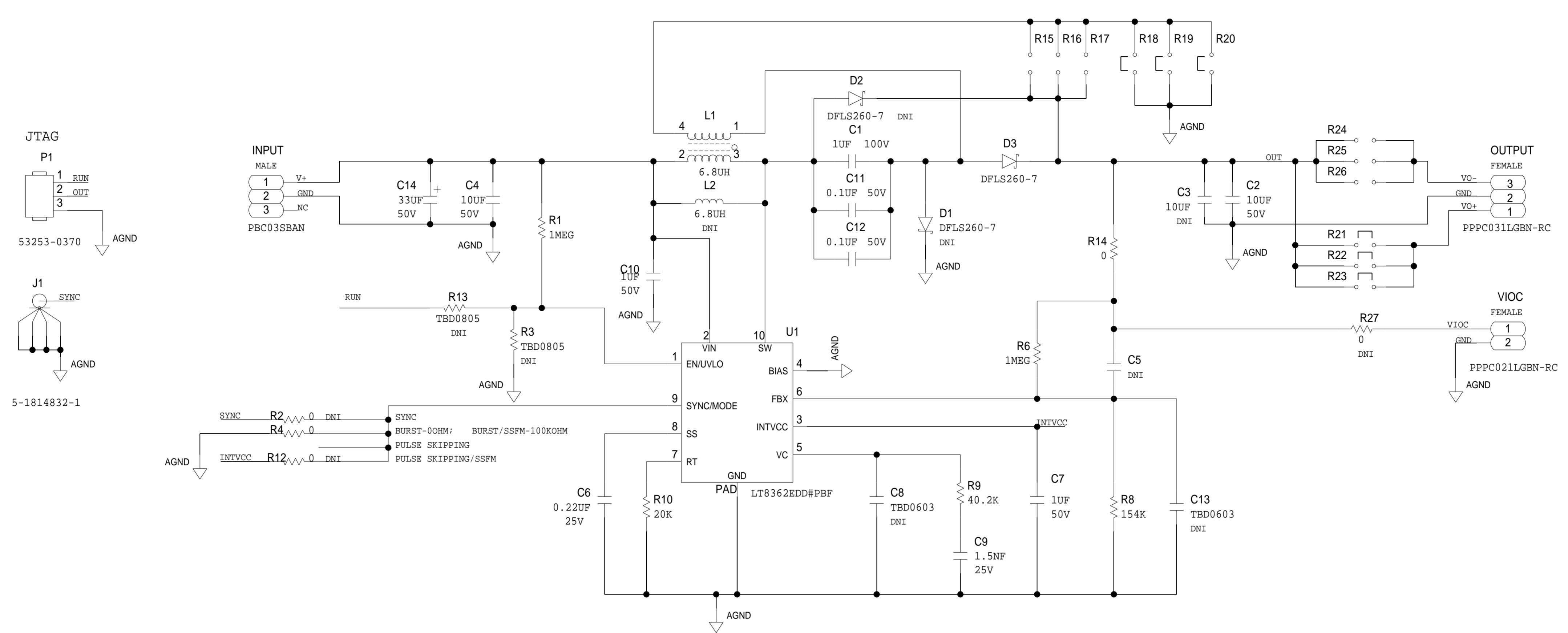


REVISIONS			
REV	DESCRIPTION	DATE	APPROVED

LT8362 SEPIC



	SCHEMATIC		
	HW TYPE : SCP EVAL-Z Product(s) : LT8362 : LT8362		
	DESIGN VIEW <DESIGN_VIEW>	DRAWING NO. 02_051143	REV B
	PTD ENGINEER J VIERNES	SIZE D	SCALE 1:1
		SHEET 3 OF 4	