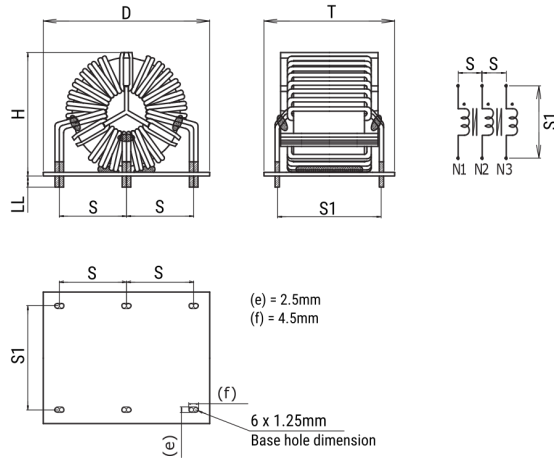


SCR47B-350-S2ROB010J

Aliases (UALIG2ROB010J0)

KEMET, SCR Three Phase, AC Line Filters, Common Mode, 1mH



Click [here](#) for the 3D model.

Dimensions

D	80mm MAX
T	62mm MAX
H	65mm MAX
LL	5mm +/-2mm
S	31mm NOM
S1	48mm NOM
Wire Size	2mm x 2P

Packaging Specifications

Packaging	Tray
Packaging Quantity	18
Component Weight	340 g

General Information

Series	SCR Three Phase
Style	Through-Hole
Features	High Impedance, Space Saving
RoHS	Yes
Miscellaneous	70 (K) Temperature Rise Max.
Core	Mn-Zn Ferrite

Specifications

Voltage AC	500 VAC
Voltage DC	500 VDC
Inductance	1mH (10 kHz)
Current	35 A
Temperature Range	-25/+120°C
DC Resistance	2.5 mOhms

Statements of suitability for certain applications are based on our knowledge of typical operating conditions for such applications, but are not intended to constitute - and we specifically disclaim - any warranty concerning suitability for a specific customer application or use. This information is intended for use only by customers who have the requisite experience and capability to determine the correct products for their application. Any technical advice inferred from this information or otherwise provided by us with reference to the use of our products is given gratis, and we assume no obligation or liability for the advice given or results obtained.