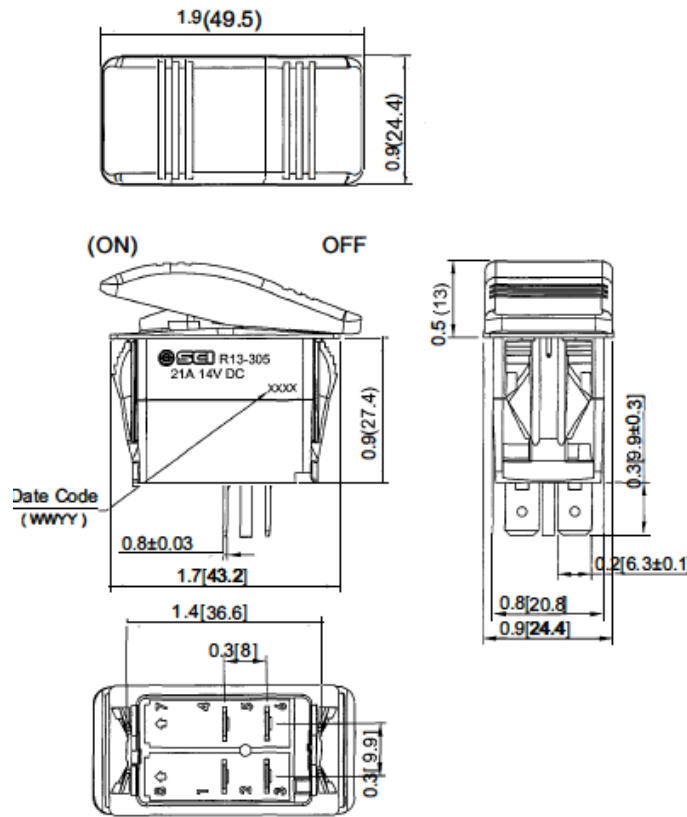
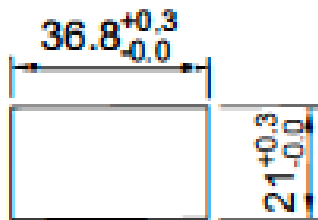


Mechanical Dimensions: Inches [mm]

Tolerances ± 0.012 [0.3] Unless Otherwise Specified



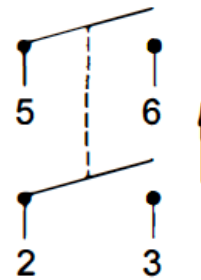
Mounting Hole



Thickness: [1.0-5.0] max

Circuit Diagram

4P DPST OFF-(ON)



Electrical Specifications

Rating	21A 14V DC
Contact Resistance	50m ohm Max.
Insulation Resistance	DC 500V 100M ohm Min.
Dielectric Strength	AC 1500V 1 minute
Operation Temperature	-25°C~85°C

Material Specifications

Frame Actuator	Black Nylon 66 (94V-2)
Terminals	Silver plated copper
Waterproof	IP56

Rev	Date of issue	Revision Notes	Designed	Approved
A	06-07-2019	Initial Drawing	RC	OH