

150HV Series Heavy Duty In-line Holder for 3AB/AG



Product Characteristics

Compatible Fuses	3AB/AG Fuses
Electrical	Intended for use at 600 VAC/DC max rated up to 20 amperes.*
Molded Parts	Body and knob are Black Thermoset (UL94 V-0). Both body and knob have a 0.20" diameter hole for insulated wire.
Knob	Bayonet-lock type metal insert.
Ambient Temperature	Maximum temperature up to 125 °C
Contact Rivet	Brass. Tin plated
Assembled	Supplied with 19" loop of #14 AWG red XLP UL Style 3321 Rated for 600 V/150 °C

Notes:

* Refer to [Fuseology](#) for information on proper fuseholder re-rating.

Agency Approval

Agency	Agency File Number
	E14721*

Notes:

* cURus for 150603 only

Additional Information



Datasheet

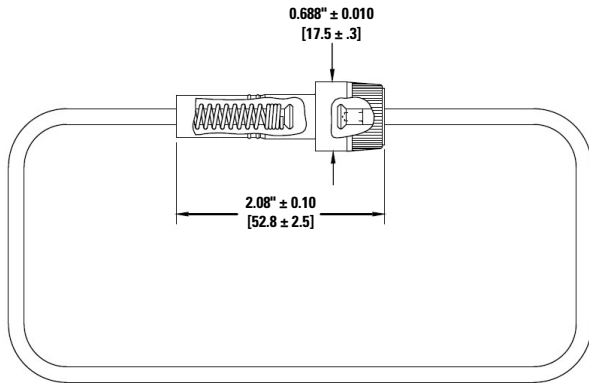


Resources



Samples

19" Loop of 14 AWG Stretched Cu Wire



Warning: Electrical Shock. Power must be disconnected prior to handling fuse.

Ordering Information

Ordering Number	Catalog Number	Cable Color	Fuse Size	Packaging
01500603Z	150603	Red	¼" x 1 ¼"	Bulk 100 Pieces
01500604Z	150604	Black	¼" x 1 ¼"	Bulk 100 Pieces

Notes:

For different wire insulation color and length contact LF team.