

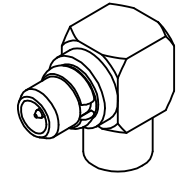
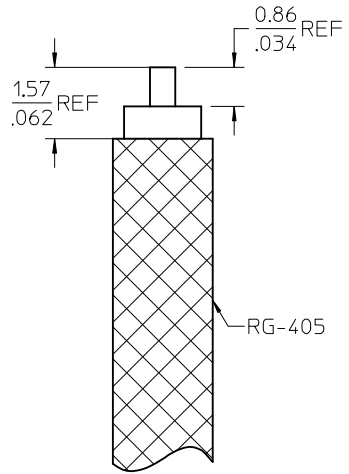
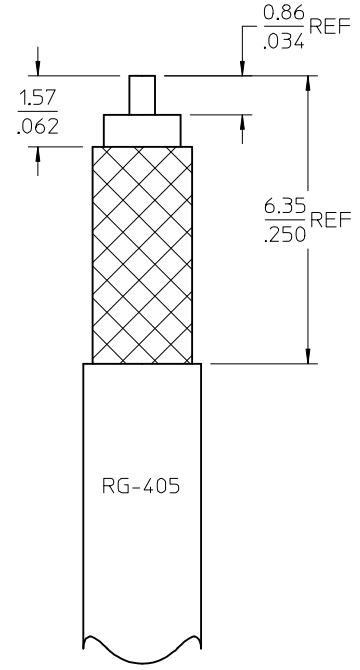
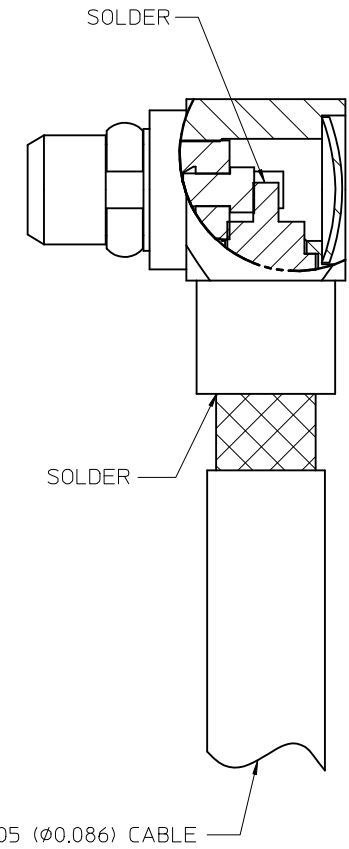
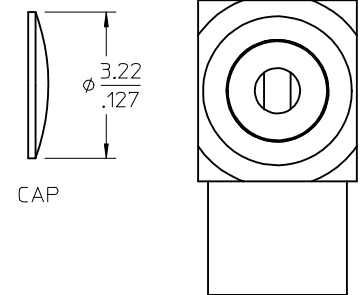
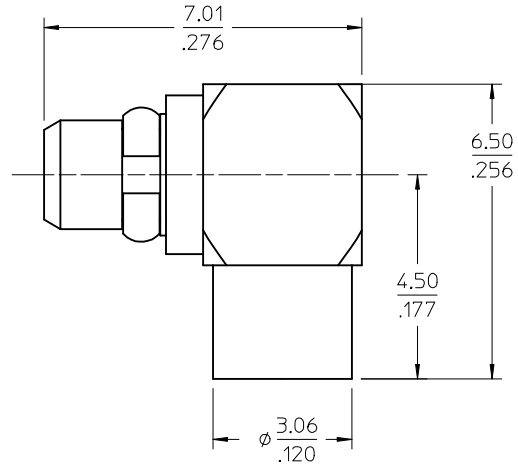
MATERIALS AND FINISHES:

BODY, CAP: BRASS
PLATED: GOLD (SEE TABLE)

CENTER CONTACT: BRASS
PLATED: GOLD (SEE TABLE)

SNAP RING: BERYLLIUM COPPER
PLATED: GOLD (SEE TABLE)

INSULATOR: PTFE



RG-405 (φ0.086) CABLE

CABLE STRIP DIMENSIONS FOR JACKETED CABLES

CABLE STRIP DIMENSIONS FOR NON JACKETED CABLES

73415-2162	SINGLE BAG	FLASH	30u"
73415-2161	BULK	FLASH	30u"
73415-2160	BULK	30u"	50u"
PART NO.	PACKAGING	BODY/CAP/RING	CONTACT
		GOLD	GOLD

PS-89675-1920	ELECTRO/MECH PERFORM.
SPECIFICATION	DESCRIPTION

CHG: PTFE WAS TEFLON, ADDED GEN TOL VALUES, JACKET & NON JACKET CABLE DETAILS.
 IEC NO: URF2016-0187
 DRW:APRASHO1 2015/08/28
 CHK:DLLM 2015/08/28
 APPR:AROBERTSON 2015/09/11

REV	DESCRIPTION
A3	

QUALITY SYMBOLS																
GENERAL TOLERANCES (UNLESS SPECIFIED)	<table border="1"> <tr> <th></th> <th>mm</th> <th>INCH</th> </tr> <tr> <td>4 PLACES</td> <td>± .10</td> <td>± .004</td> </tr> <tr> <td>3 PLACES</td> <td>± .15</td> <td>± 0.010</td> </tr> <tr> <td>2 PLACES</td> <td>± 0.25</td> <td>± .010</td> </tr> <tr> <td>1 PLACE</td> <td>± .50</td> <td>± .020</td> </tr> </table>		mm	INCH	4 PLACES	± .10	± .004	3 PLACES	± .15	± 0.010	2 PLACES	± 0.25	± .010	1 PLACE	± .50	± .020
	mm	INCH														
4 PLACES	± .10	± .004														
3 PLACES	± .15	± 0.010														
2 PLACES	± 0.25	± .010														
1 PLACE	± .50	± .020														
	ANGULAR ± 2°															
	DRAFT WHERE APPLICABLE MUST REMAIN WITHIN DIMENSIONS															

DIMENSION STYLE		SCALE	DESIGN UNITS	THIRD ANGLE PROJECTION
MM/IN			METRIC	
DRAWN BY	DATE	TITLE		
TEF	2000/06/15	MMCX PLUG R/A RG405 50 OHMS MMCX-PC/RA		
CHECKED BY	DATE			
SSS	2000/06/15			
APPROVED BY	DATE			
JWIENER	2010/04/08			
MATERIAL NO.	DOCUMENT NO.			
SEE TABLE	SD-73415-216			

MOLEX INCORPORATED		SHEET NO.
		1 OF 1
THIS DRAWING CONTAINS INFORMATION THAT IS PROPRIETARY TO MOLEX INCORPORATED AND SHOULD NOT BE USED WITHOUT WRITTEN PERMISSION		