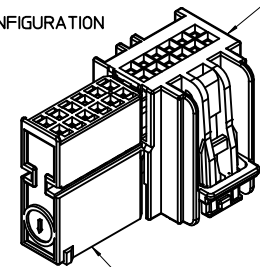


DELIVERY CONFIGURATION



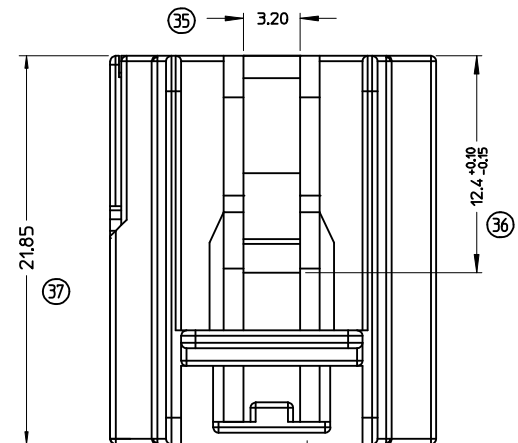
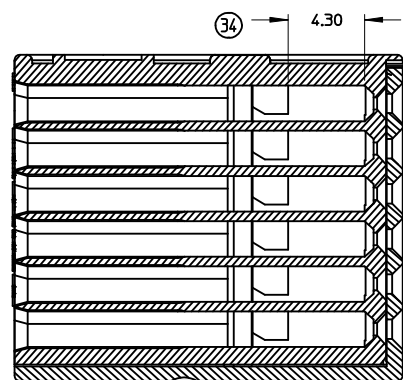
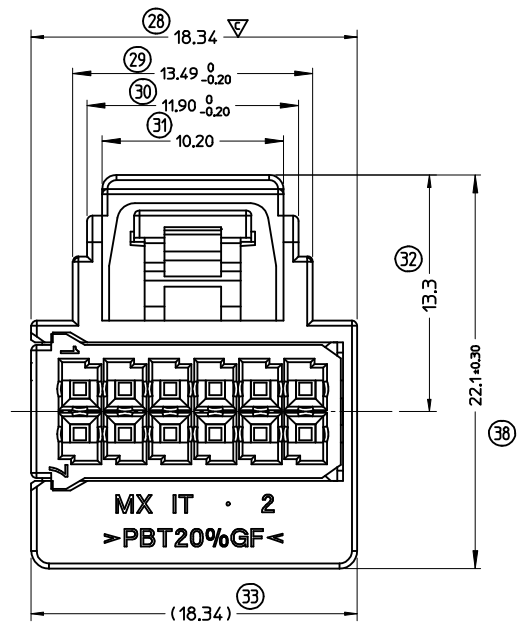
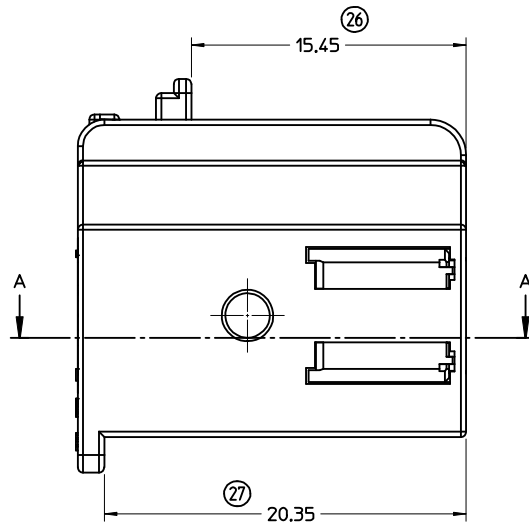
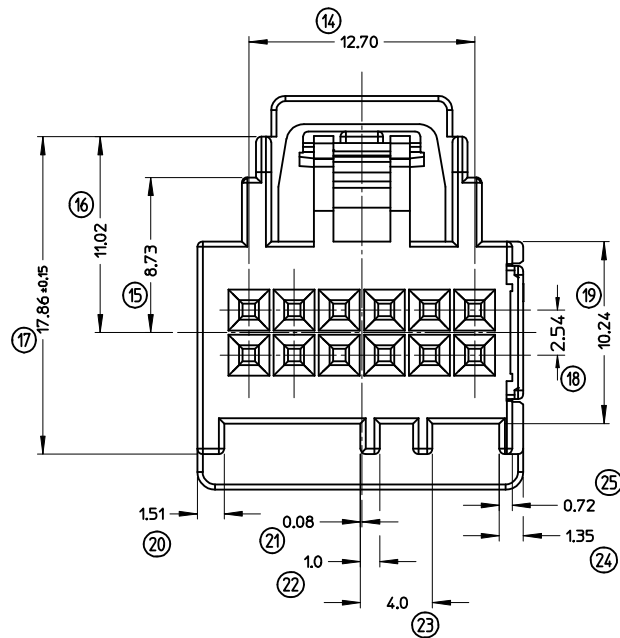
HOUSING

TERMINAL RECEPTACLE MODULE

- 1) MATERIAL: GLASS FILLED PBT, BLACK COLOR
- 2) USED WITH 98658 SERIES TERMINALS
- 3) MATES WITH 31341-2641 SERIES USCAR HEADERS
- 4) PACKAGING: IN CARTON BOXES (SEE DRAWING PK-94552-001 FOR DETAILS)
- 5) SPQ: 15840 pcs
- 6) IN THE EVENT OF PARTIAL OR TOTAL SEPARATION, PARTS DO NOT LOOSE THEIR FUNCTIONALITY

STD. DESCR: RECEPTACLE FOR MOX TERM, 12 CKT

EC NO: Z2014-0081 DRWN: SBARBIER 2014/01/09 CHKD: LSANTESSO 2014/01/10 APPR: FBISELLO 2014/01/10	QUALITY SYMBOLS ▽ - 0 ▽ C - 0	GENERAL TOLERANCES (UNLESS SPECIFIED)		SCALE 5:1	DESIGN UNITS METRIC	FIRST ANGLE PROJECTION	REVISE ON CAD ONLY														
		<table border="1"> <thead> <tr> <th></th> <th>mm</th> <th>INCH</th> </tr> </thead> <tbody> <tr> <td>4 PLACES</td> <td>± 0.10</td> <td>± 0.004</td> </tr> <tr> <td>3 PLACES</td> <td>± 0.15</td> <td>± 0.006</td> </tr> <tr> <td>2 PLACES</td> <td>± 0.20</td> <td>± 0.008</td> </tr> <tr> <td>1 PLACE</td> <td>± 0.25</td> <td>± 0.010</td> </tr> </tbody> </table>			mm	INCH	4 PLACES	± 0.10	± 0.004	3 PLACES	± 0.15	± 0.006	2 PLACES	± 0.20	± 0.008	1 PLACE	± 0.25	± 0.010	DIMENSION STYLE MM ONLY		TITLE 12 CKT POL. A USCAR 0.64MM RECEPTACLE FOR 98658 SERIES TERMINAL
	mm	INCH																			
4 PLACES	± 0.10	± 0.004																			
3 PLACES	± 0.15	± 0.006																			
2 PLACES	± 0.20	± 0.008																			
1 PLACE	± 0.25	± 0.010																			
REV B	DESCRIPTION	DRAFT WHERE APPLICABLE MUST REMAIN WITHIN DIMENSIONS		APPROVED BY FBISELLO 2007/04/11	DATE 2007/04/11	MATERIAL NO. 94552-9012															
				CHECKED BY LSANTESSO 2007/04/11	DATE 2007/04/11	DOCUMENT NO. SD-94552-002															
				THIS DRAWING CONTAINS INFORMATION THAT IS PROPRIETARY TO MOLEX INCORPORATED AND SHOULD NOT BE USED WITHOUT WRITTEN PERMISSION		SHEET NO. 1 OF 2															



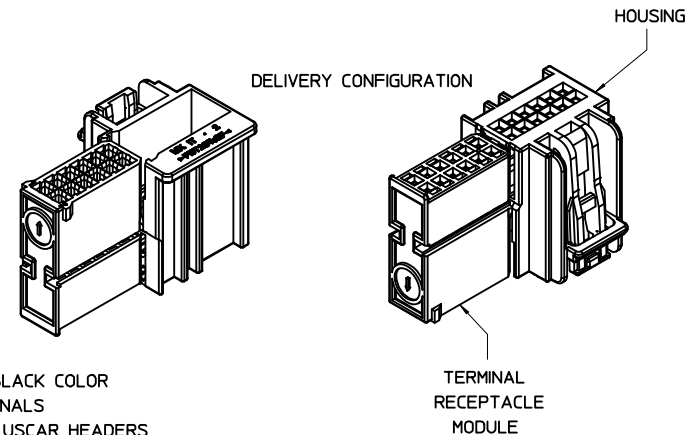
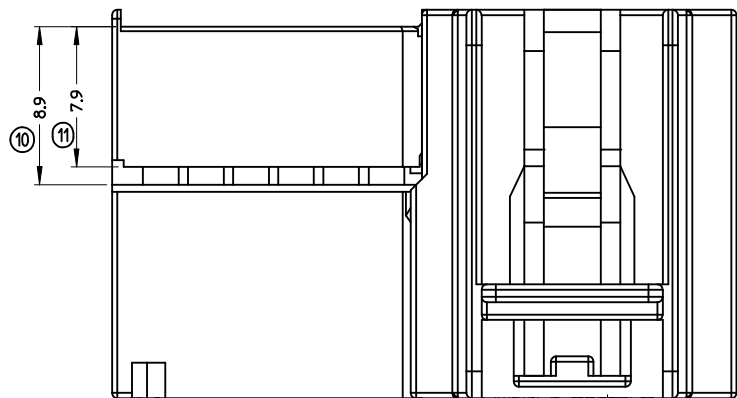
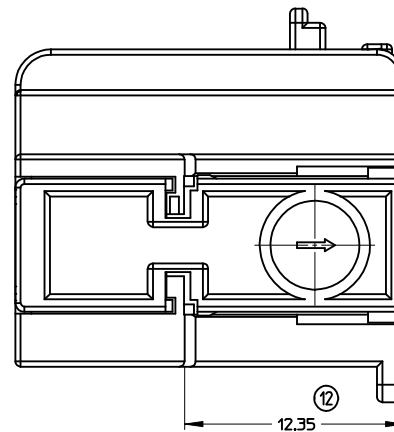
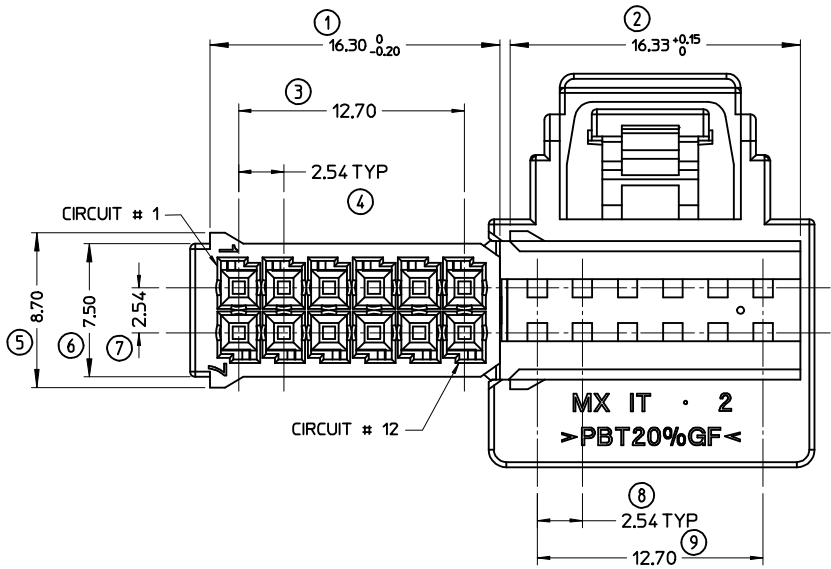
CIRCUIT # MARKING
0.1mm ABOVE SURFACE

THE PRESENCE OF A
DOT DENOTES PARTS
OFF MOLD # 2

MOLEX LOGO,
CAVITY NUMBER,
MATERIAL DESIGNATION
0.1mm ABOVE SURFACE

DATE INDICATOR

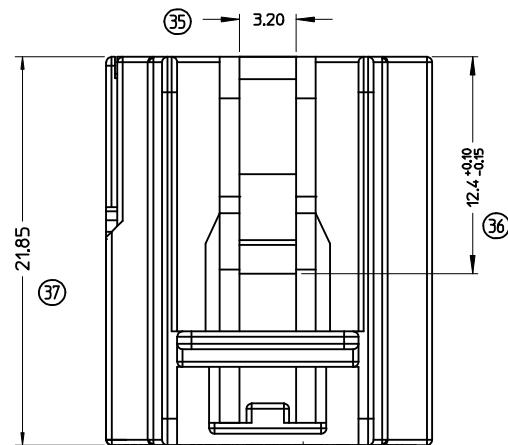
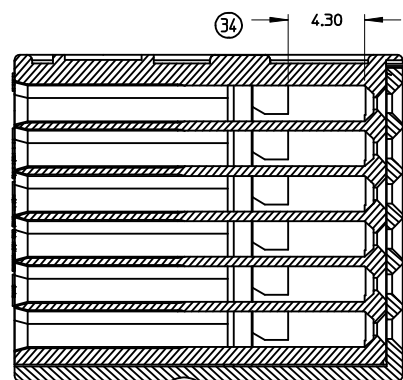
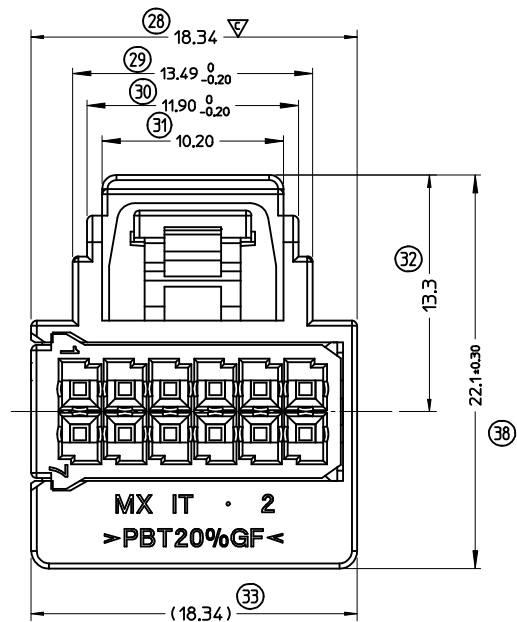
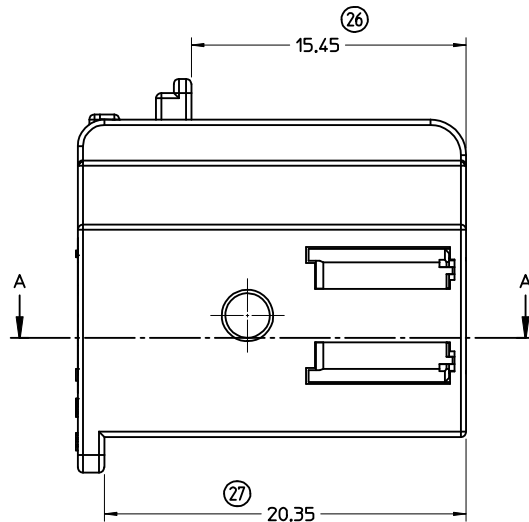
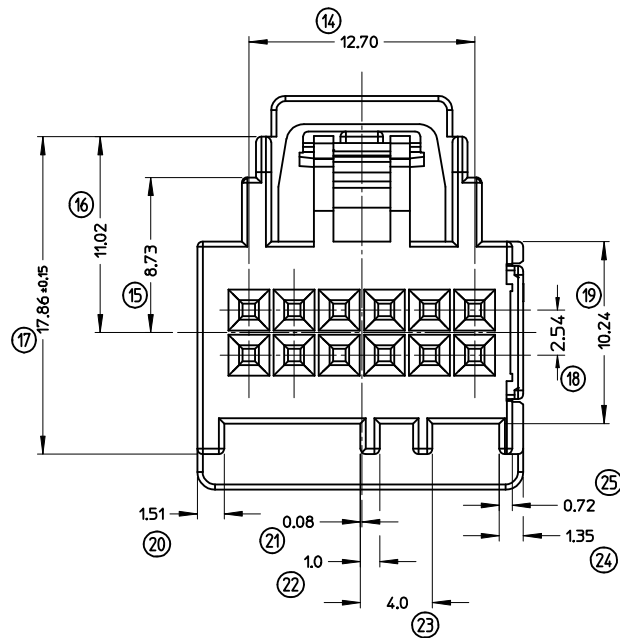
EC NO: Z2014-0081 DRWN: SBARBIER 2014/01/09 CHKD: LSANTESSO 2014/01/10 APPR: FBISELLO 2014/01/10	QUALITY SYMBOLS	GENERAL TOLERANCES (UNLESS SPECIFIED)	SCALE 5:1	DESIGN UNITS METRIC	FIRST ANGLE PROJECTION	REVISE ON CAD ONLY
	▽ 0	4 PLACES ± --- ± ---	mm INCH	DIMENSION STYLE MM ONLY	TITLE	
	▽ 1	3 PLACES ± --- ± ---		DRAWN BY SBARBIER DATE 2007/04/11	12 CKT POL. A USCAR 0.64MM RECEPTACLE FOR 98658 SERIES TERMINAL	
		2 PLACES ± 0.13 ± ---		CHECKED BY LSANTESSO DATE 2007/04/11	MATERIAL NO. MOLEX INCORPORATED	
	1 PLACE ± 0.25 ± ---	ANGULAR ± 3°	APPROVED BY FBISELLO DATE 2007/04/11	SEE SHT 1	DOCUMENT NO. SD-94552-002	SHEET NO. 2 OF 2
		DRAFT WHERE APPLICABLE MUST REMAIN WITHIN DIMENSIONS	THIS DRAWING CONTAINS INFORMATION THAT IS PROPRIETARY TO MOLEX INCORPORATED AND SHOULD NOT BE USED WITHOUT WRITTEN PERMISSION			



- 1) MATERIAL: GLASS FILLED PBT, BLACK COLOR
- 2) USED WITH 98658 SERIES TERMINALS
- 3) MATES WITH 31341-2641 SERIES USCAR HEADERS
- 4) PACKAGING: IN CARTON BOXES (SEE DRAWING PK-94552-001 FOR DETAILS)
- 5) SPQ: 15840 pcs
- 6) IN THE EVENT OF PARTIAL OR TOTAL SEPARATION, PARTS DO NOT LOOSE THEIR FUNCTIONALITY

STD. DESCR: RECEPTACLE FOR MOX TERM, 12 CKT

EC NO: Z2014-0081 DRWN: SBARBIER 2014/01/09 CHKD: LSANTESSO 2014/01/10 APPR: FBISELLO 2014/01/10	QUALITY SYMBOLS ▽ - 0 ▽ C - 0	GENERAL TOLERANCES (UNLESS SPECIFIED)		SCALE 5:1	DESIGN UNITS METRIC	FIRST ANGLE PROJECTION	REVISE ON CAD ONLY
				DIMENSION STYLE MM ONLY		TITLE 12 CKT POL. A USCAR 0.64MM RECEPTACLE FOR 98658 SERIES TERMINAL	
REV	DESCRIPTION	4 PLACES ± 0.13	± 0.13	DRAWN BY SBARBIER	DATE 2007/04/11	MATERIAL NO. DOCUMENT NO. 94552-9012 SD-94552-002	
		3 PLACES ± 0.25	± 0.25	CHECKED BY LSANTESSO	DATE 2007/04/11	SHEET NO. 1 OF 2	
		1 PLACE ± 0.25	± 0.25	APPROVED BY DATE FBISELLO 2007/04/11		MOLEX INCORPORATED	
		ANGULAR ± 3°		THIS DRAWING CONTAINS INFORMATION THAT IS PROPRIETARY TO MOLEX INCORPORATED AND SHOULD NOT BE USED WITHOUT WRITTEN PERMISSION			
		DRAFT WHERE APPLICABLE					
		MUST REMAIN WITHIN DIMENSIONS					



CIRCUIT # MARKING
0.1mm ABOVE SURFACE

THE PRESENCE OF A
DOT DENOTES PARTS
OFF MOLD # 2

MOLEX LOGO,
CAVITY NUMBER,
MATERIAL DESIGNATION
0.1mm ABOVE SURFACE

DATE INDICATOR

EC NO: Z2014-0081 DRWN: SBARBIER 2014/01/09 CHKD: LSANTESSO 2014/01/10 APPR: FBISELLO 2014/01/10	QUALITY SYMBOLS	GENERAL TOLERANCES (UNLESS SPECIFIED)	SCALE 5:1	DESIGN UNITS METRIC	FIRST ANGLE PROJECTION	REVISE ON CAD ONLY
	▽ 0	4 PLACES ± --- ± ---	mm INCH	DIMENSION STYLE MM ONLY	TITLE	
	▽ 1	3 PLACES ± --- ± ---		DRAWN BY SBARBIER DATE 2007/04/11	12 CKT POL. A USCAR 0.64MM RECEPTACLE FOR 98658 SERIES TERMINAL	
		2 PLACES ± 0.13 ± ---		CHECKED BY LSANTESSO DATE 2007/04/11	MATERIAL NO. MOLEX INCORPORATED	
	1 PLACE ± 0.25 ± ---	ANGULAR ± 3°	APPROVED BY FBISELLO DATE 2007/04/11	DOCUMENT NO. SD-94552-002	SHEET NO. 2 OF 2	
		DRAFT WHERE APPLICABLE MUST REMAIN WITHIN DIMENSIONS	THIS DRAWING CONTAINS INFORMATION THAT IS PROPRIETARY TO MOLEX INCORPORATED AND SHOULD NOT BE USED WITHOUT WRITTEN PERMISSION			