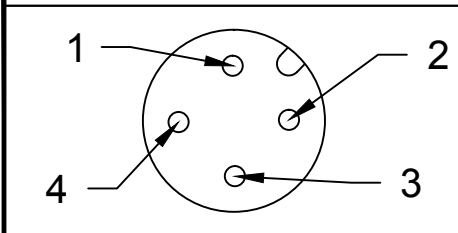
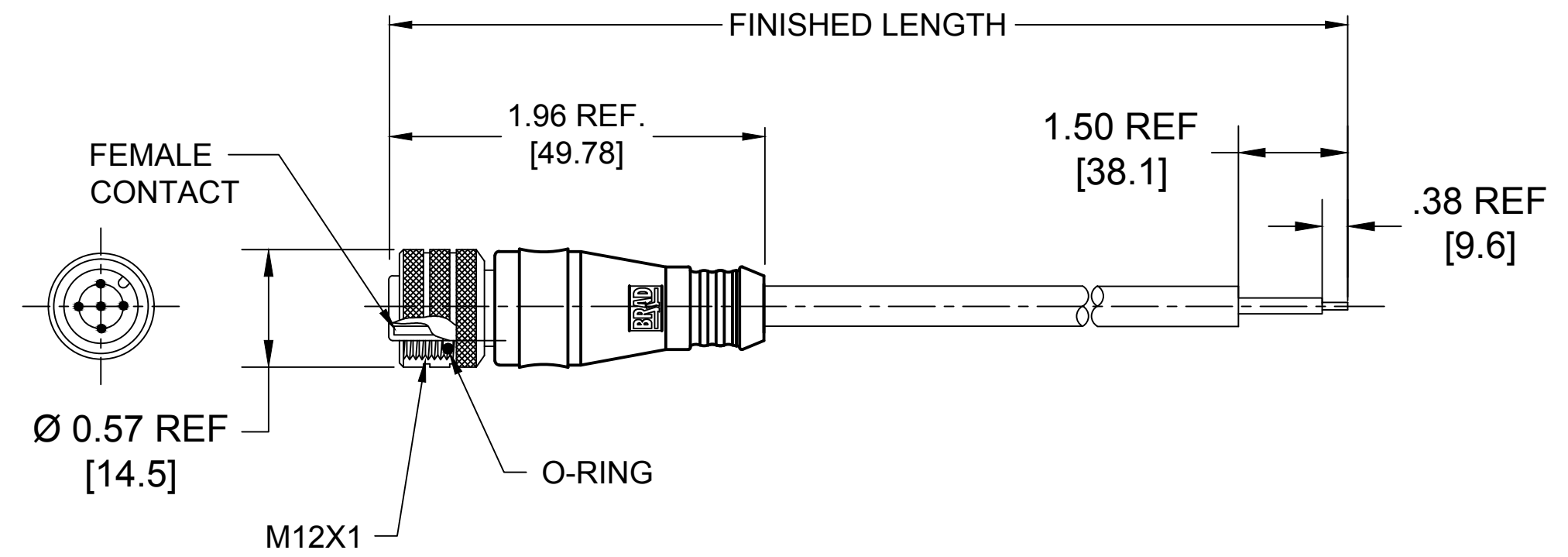


FACE VIEW-MALE INSERT



- 1 BROWN
- 2 WHITE
- 3 BLUE
- 4 BLACK

SAP P/N #	MATERIAL NUMBER	FINISHED LENGTH
1200651511	804000C02M020	78.74" +3.50"/-0.0 (2000 mm +88.9/-0.0)



SPECIFICATIONS

MATERIALS:

- COUPLING NUT: BRASS WITH NICKEL PLATING AND TEFLON COAT
- OVERMOLD: YELLOW TPE
- CABLE: 18/4 SJOOW CPE YELLOW
- O-RING: FPM COLOR RED
- CONTACT: COPPER ALLOY, GOLD PLATED

ELECTRICAL:

- CURRENT RATING: 4A
- VOLTAGE: 250V

MECHANICAL:

- TEMPERATURE RATING: -20°C TO 80°C
- PROTECTION: IP67 (IN FULLY MATED POSITION)

ASSEMBLY IS ROHS COMPLIANT BY EXEMPTION

CUSTOMER PRODUCTION APPROVAL
 APPROVED BY: _____
 DATE: _____
 MUST BE SIGNED AND RETURNED BEFORE
 PRODUCTION WILL BEGIN.

RESTRICTED SALES DRAWING

NEW RELEASE EC NO: JFMURPHY DRWN: CAAVILES 2014/11/11 CHKD: EBRAMBIL APPR: JFMURPHY 2015/01/22	DESCRIPTION REV	QUALITY SYMBOLS	GENERAL TOLERANCES (UNLESS SPECIFIED)		DIMENSION STYLE INCH / MM		SCALE NTS	DESIGN UNITS INCH	THIRD ANGLE PROJECTION	
		▽=0	mm	INCH	DRAWN BY	DATE	TITLE	MOLEX	DOCUMENT NO.	SHEET NO.
		∇=0	4 PLACES ±---	±---	CAAVILES	2014/11/11				
			3 PLACES ±---	±---	CHECKED BY	DATE				
		2 PLACES ±---	±.01	EBRAMBIL	---					
		1 PLACE ±0.3	±---	APPROVED BY	DATE					
		ANGULAR ±---°		JFMURPHY	2015/01/22					
		DRAFT WHERE APPLICABLE MUST REMAIN WITHIN DIMENSIONS		MATERIAL NO.		SEE CHART		SD-120065-098		1 OF 1
				SIZE B	THIS DRAWING CONTAINS INFORMATION THAT IS PROPRIETARY TO MOLEX INCORPORATED AND SHOULD NOT BE USED WITHOUT WRITTEN PERMISSION					