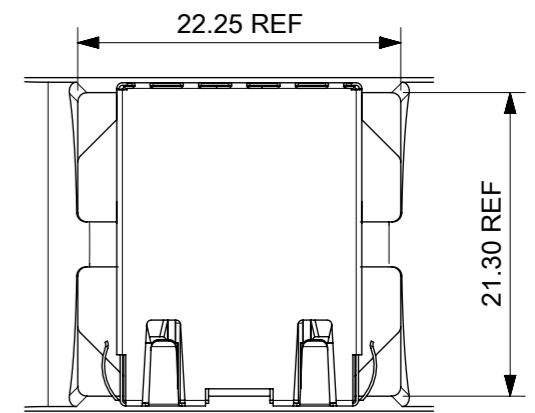
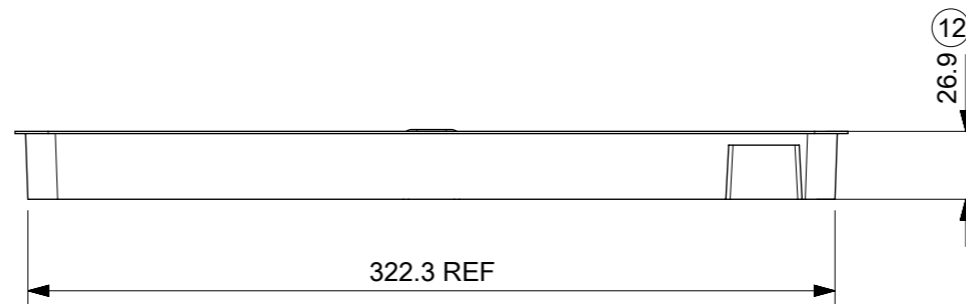
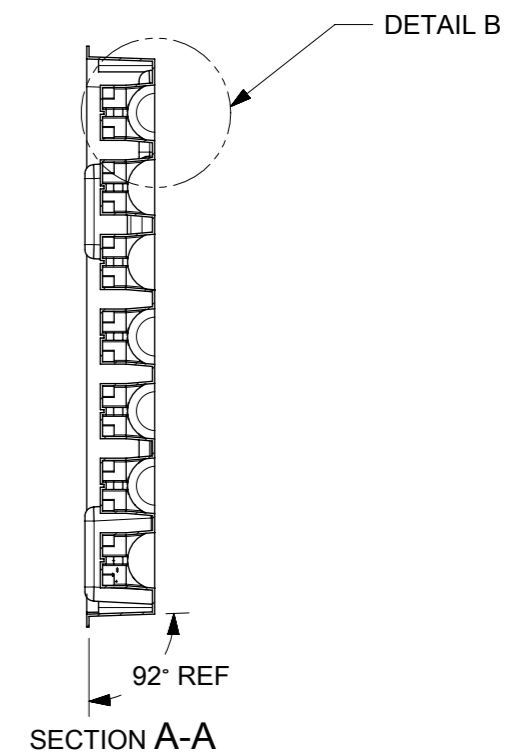
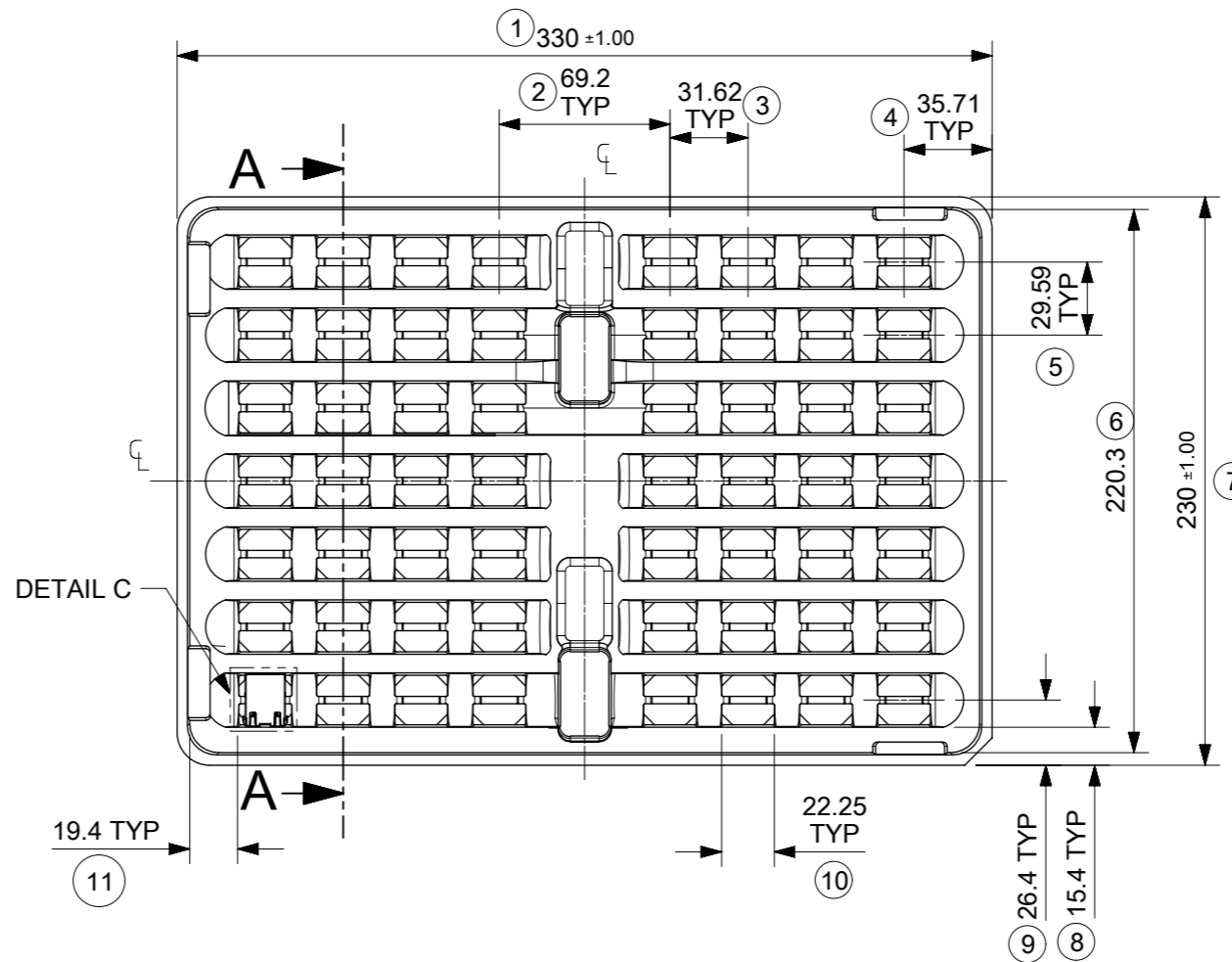


DETAIL B



DETAIL C
SCALE 2:1

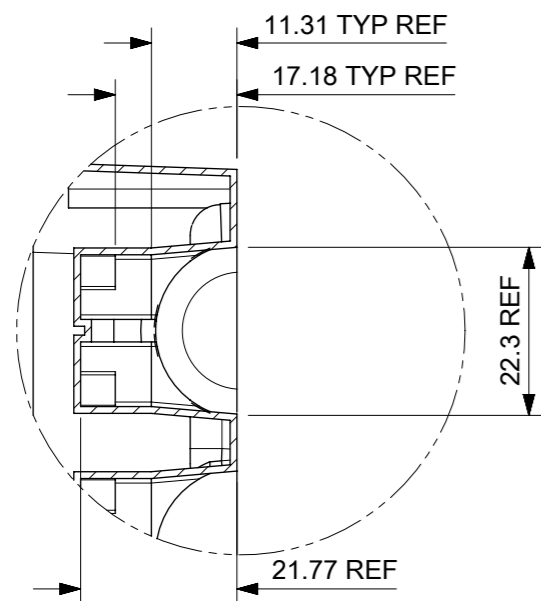


NOTES:

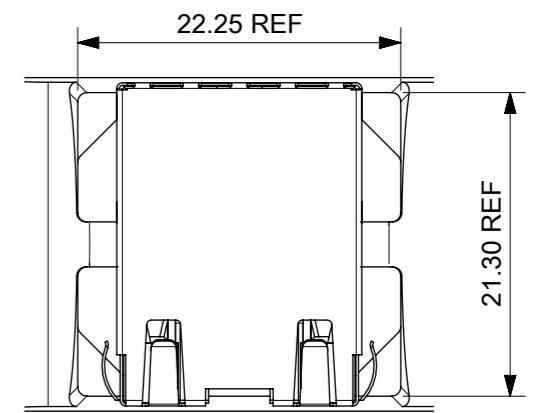
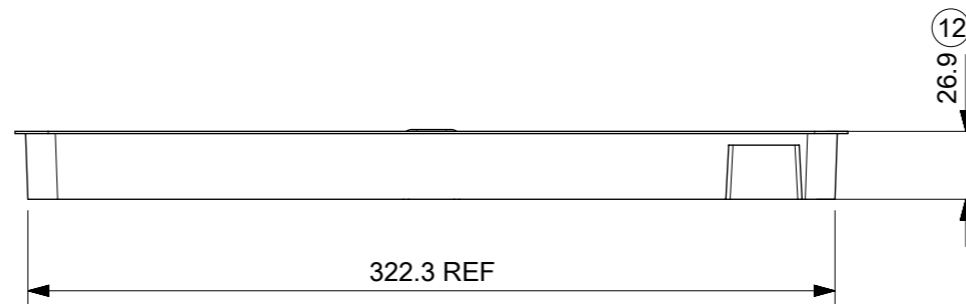
1. MATERIAL: PETA ANTISTATIC
2. THICKNESS: 0.9 mm ± 0.05 mm
3. COLOUR: CLEAR
4. BOW 2 mm MAXIMUM PER 330 mm
5. TWIST 2 mm MAXIMUM PER 330 mm
6. TRAY PART NO. AND RECYCLE LOGO TO BE CLEARLY MARKED ON TRAY
RECYCLE LOGO SHOULD BE APPROPRIATE TO MATERIAL USED
7. WHERE RELEVANT, DIMENSIONS SHOULD BE SYMMETRICAL ABOUT THE CENTRELINE
8. GENERAL PROFILE TOLERANCE $\overline{\cup}$ 0.40 ON NON DIMENSIONED FEATURES

LAST INSPECTION NUMBER USED: 12

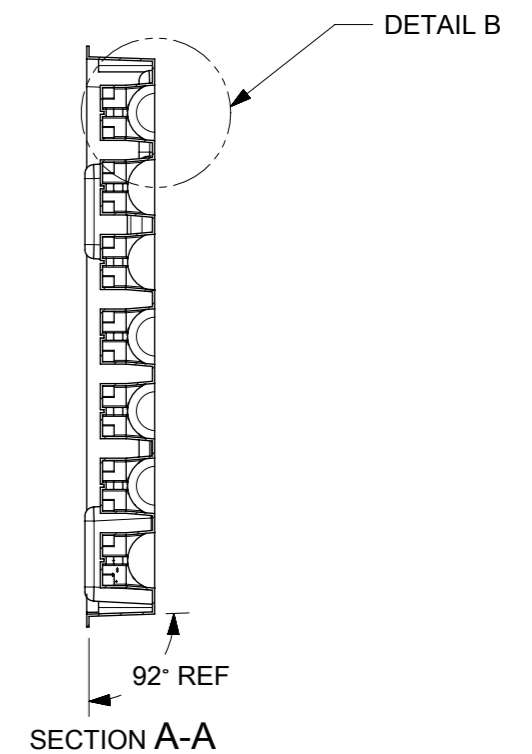
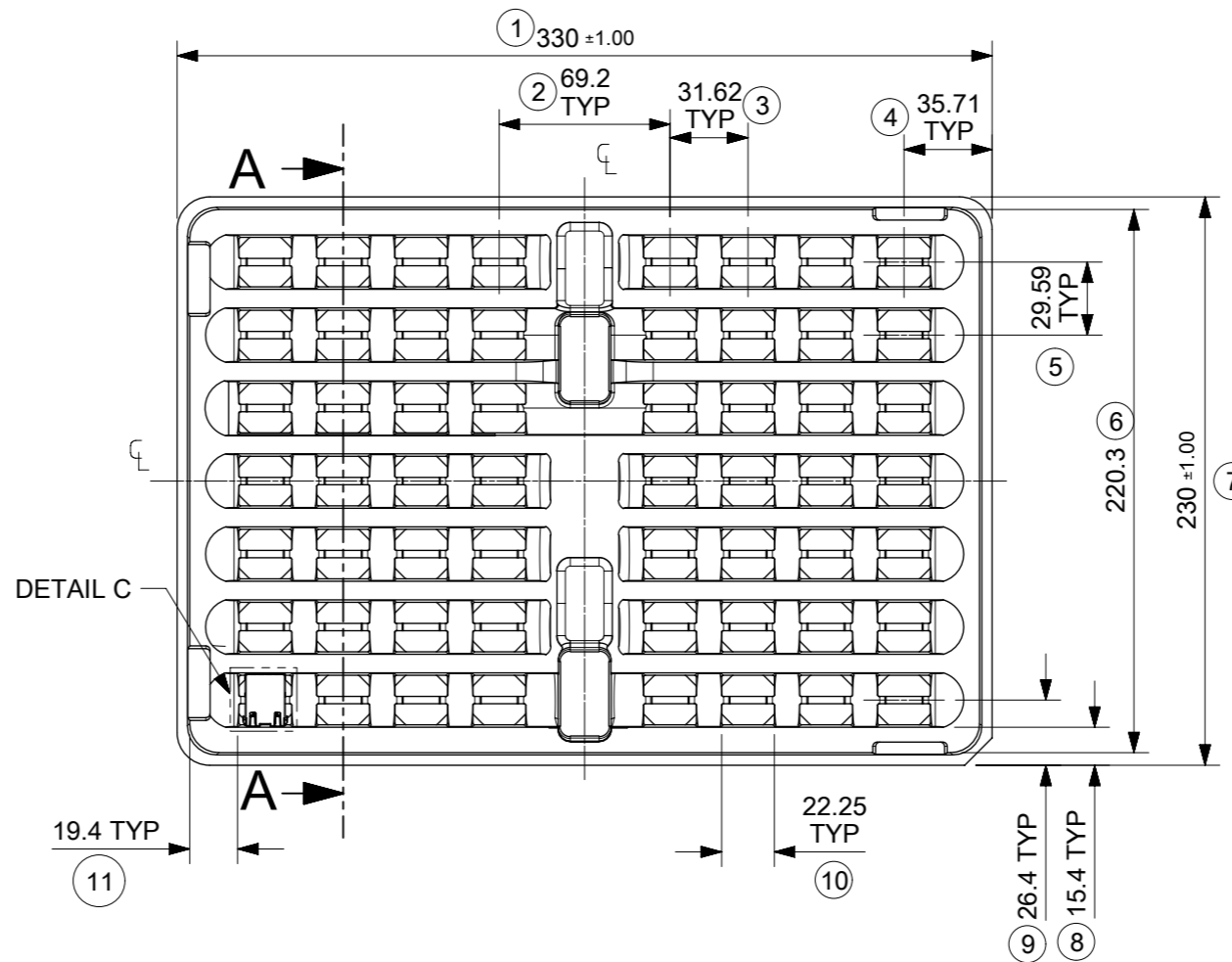
THIS DRAWING CONTAINS INFORMATION THAT IS PROPRIETARY TO MOLEX ELECTRONIC TECHNOLOGIES, LLC AND SHOULD NOT BE USED WITHOUT WRITTEN PERMISSION									
DIMENSION UNITS		SCALE		CURRENT REV DESC: REMOVED REFERENCE TO QUANTITY OF TRAYS PER STACK				molex	
mm		1:3							
GENERAL TOLERANCES (UNLESS SPECIFIED)				EC NO: 602124				MXMAG STANDARD AND INVERTED TRAY	
ANGULAR TOL ± 1.0°				DRWN: DSHEA		2018/09/07			
4 PLACES ±				CHK'D: DBYRNES		2019/01/25			
3 PLACES ±				APPR: DBYRNES		2019/01/25			
2 PLACES ± 0.2				INITIAL REVISION:				PRODUCT CUSTOMER DRAWING	
1 PLACE ± 0.5				DRWN: KREILLY		2016/05/06		DOCUMENT NUMBER	
0 PLACES ±				APPR: STGRIFFIN		2016/12/07		934620003	
DRAFT WHERE APPLICABLE MUST REMAIN WITHIN DIMENSIONS		THIRD ANGLE PROJECTION		DRAWING		SERIES		MATERIAL NUMBER	
				A3-SIZE		93462		990250150	
				CUSTOMER		GENERAL MARKET		SHEET NUMBER	
								1 OF 1	



DETAIL B



DETAIL C
SCALE 2:1



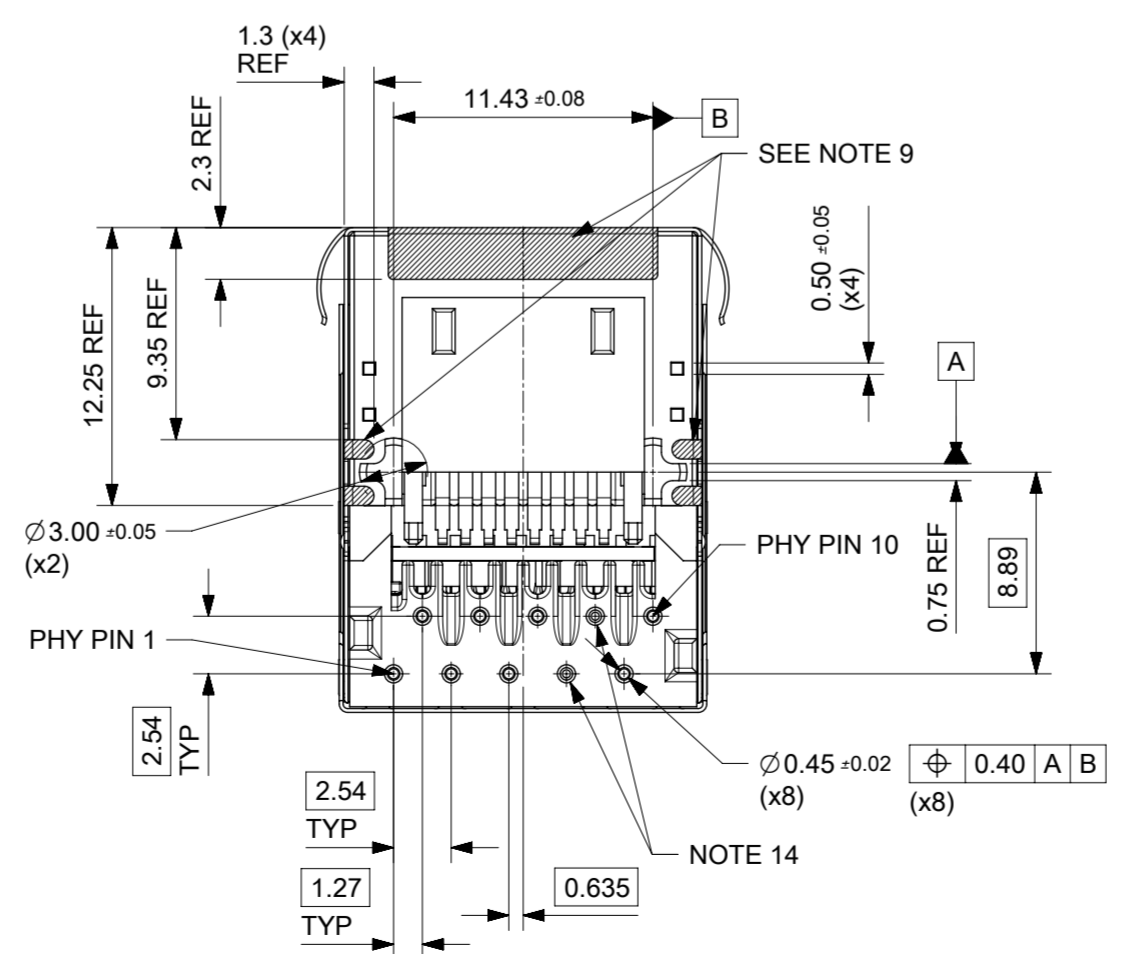
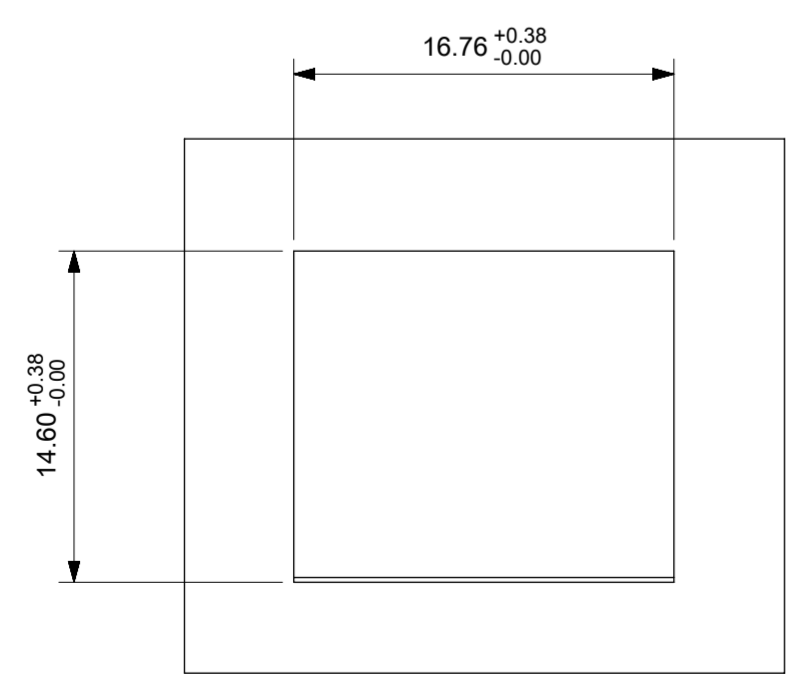
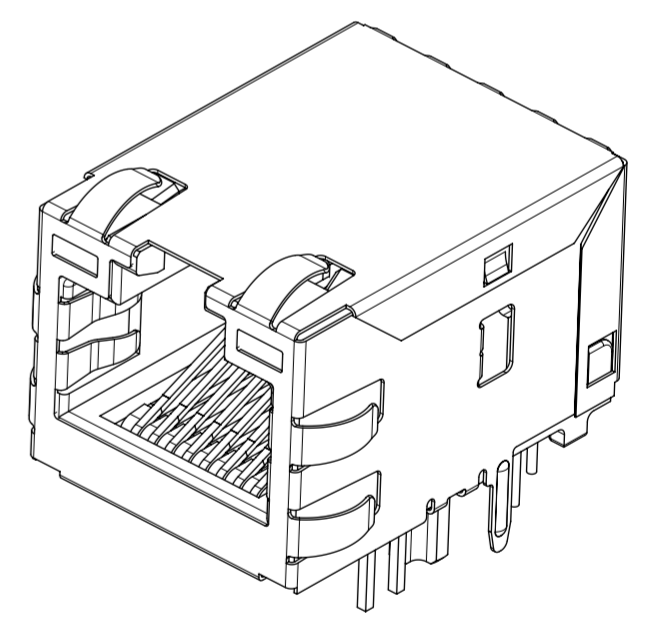
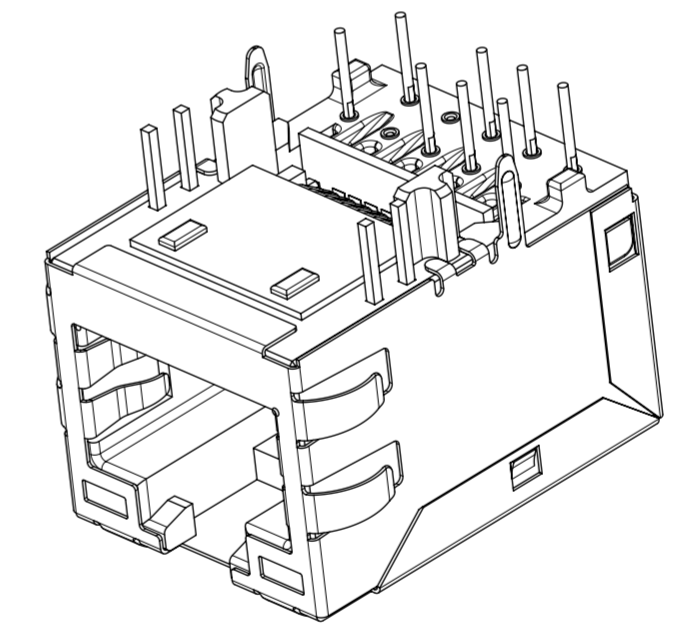
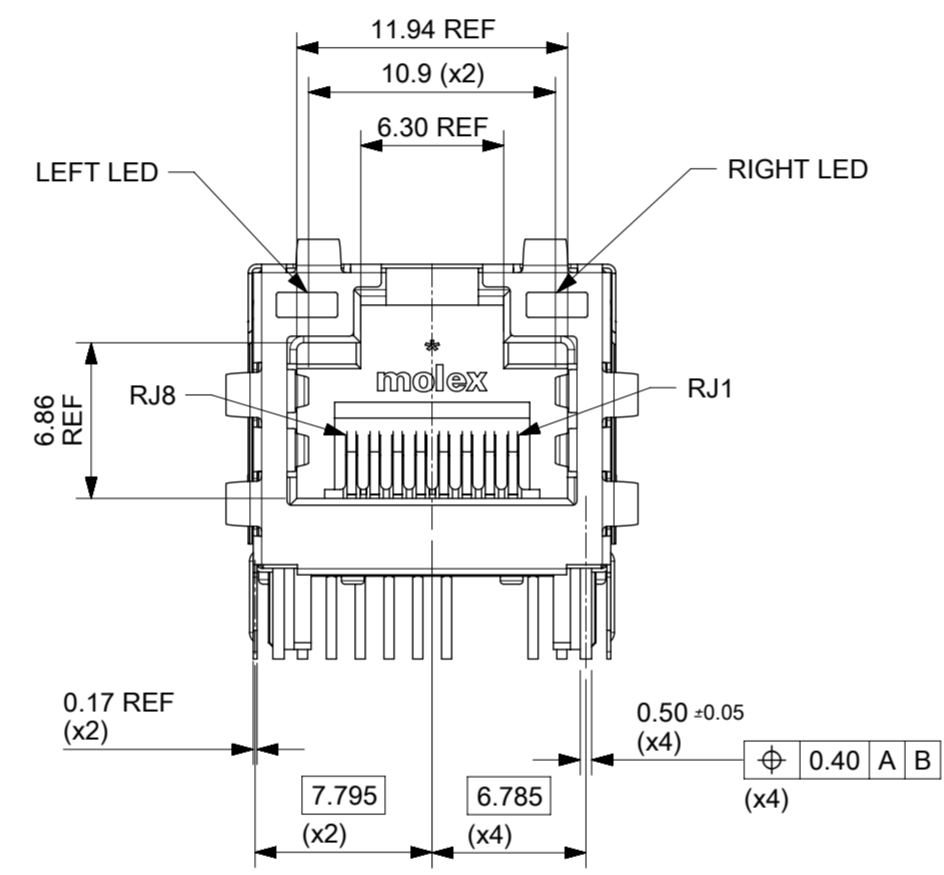
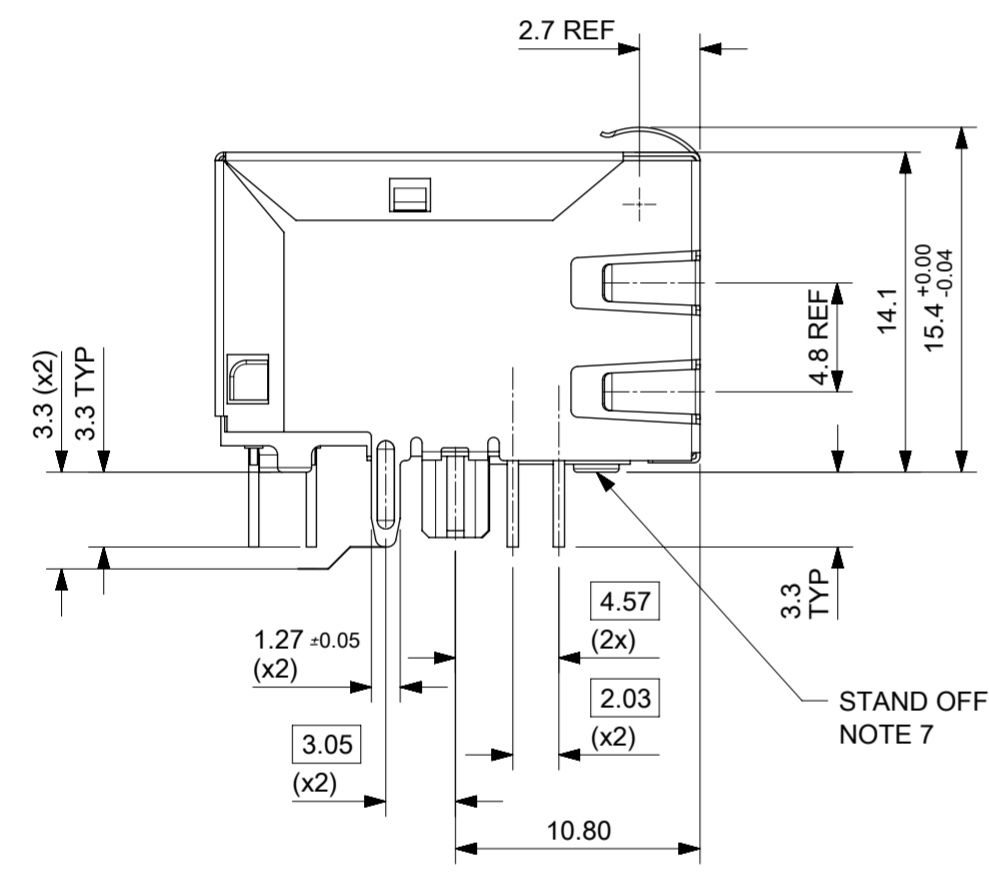
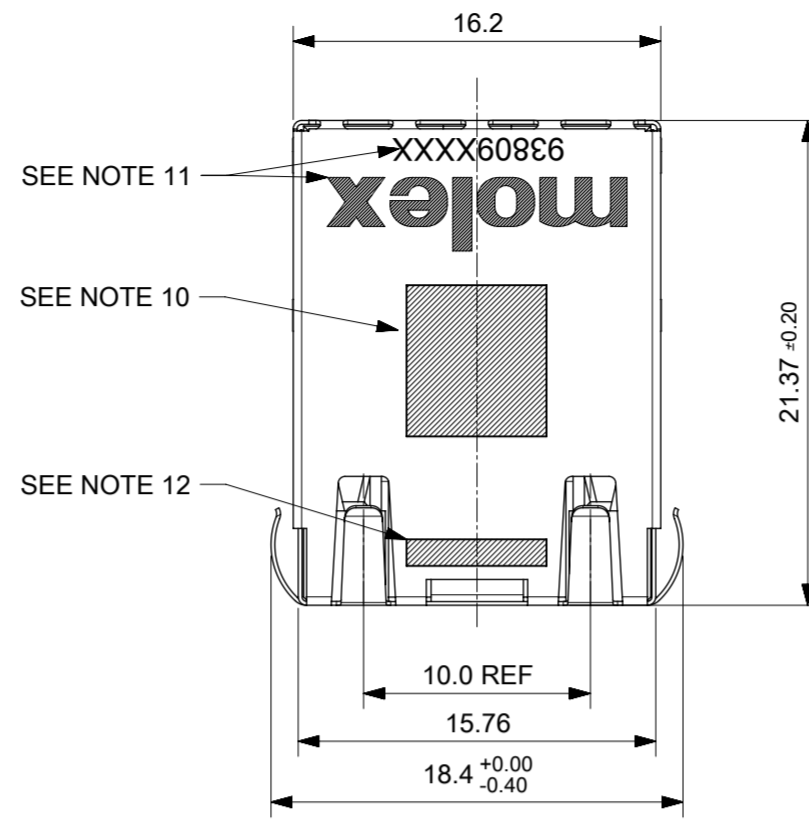
NOTES:

1. MATERIAL: PETA ANTISTATIC
2. THICKNESS: 0.9 mm ± 0.05 mm
3. COLOUR: CLEAR
4. BOW 2 mm MAXIMUM PER 330 mm
5. TWIST 2 mm MAXIMUM PER 330 mm
6. TRAY PART NO. AND RECYCLE LOGO TO BE CLEARLY MARKED ON TRAY
RECYCLE LOGO SHOULD BE APPROPRIATE TO MATERIAL USED
7. WHERE RELEVANT, DIMENSIONS SHOULD BE SYMMETRICAL ABOUT THE CENTRELINE
8. GENERAL PROFILE TOLERANCE $\overline{\cup}$ 0.40 ON NON DIMENSIONED FEATURES

LAST INSPECTION NUMBER USED: 12

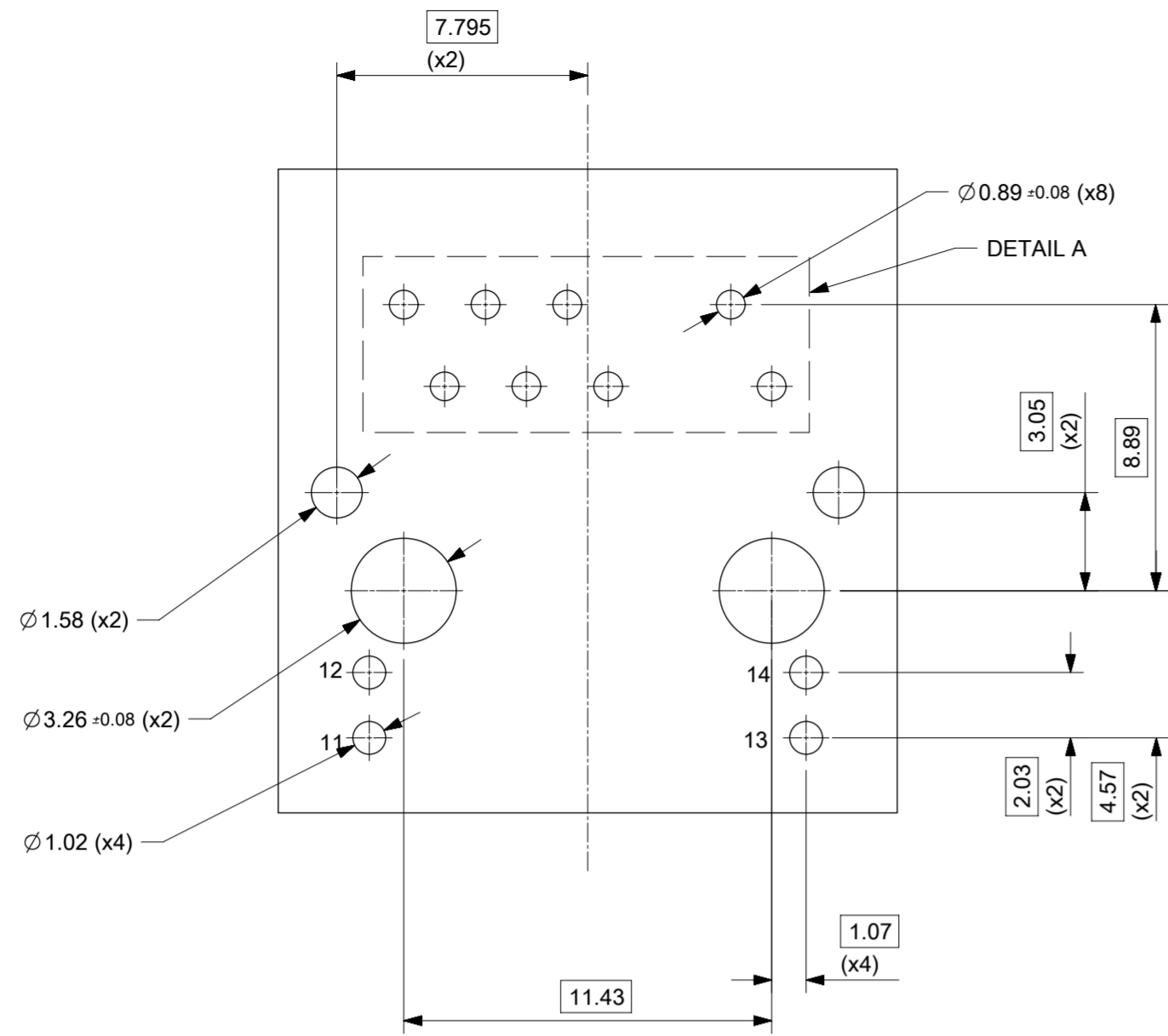
THIS DRAWING CONTAINS INFORMATION THAT IS PROPRIETARY TO MOLEX ELECTRONIC TECHNOLOGIES, LLC AND SHOULD NOT BE USED WITHOUT WRITTEN PERMISSION									
DIMENSION UNITS		SCALE		CURRENT REV DESC: REMOVED REFERENCE TO QUANTITY OF TRAYS PER STACK				molex	
mm		1:3							
GENERAL TOLERANCES (UNLESS SPECIFIED)				EC NO: 602124				MXMAG STANDARD AND INVERTED TRAY	
ANGULAR TOL ± 1.0°				DRWN: DSHEA		2018/09/07			
4 PLACES ±				CHK'D: DBYRNES		2019/01/25			
3 PLACES ±				APPR: DBYRNES		2019/01/25			
2 PLACES ± 0.2				INITIAL REVISION:				PRODUCT CUSTOMER DRAWING	
1 PLACE ± 0.5				DRWN: KREILLY		2016/05/06		DOCUMENT NUMBER	
0 PLACES ±				APPR: STGRIFFIN		2016/12/07		934620003	
DRAFT WHERE APPLICABLE MUST REMAIN WITHIN DIMENSIONS		THIRD ANGLE PROJECTION		DRAWING		SERIES		MATERIAL NUMBER	
				A3-SIZE		93462		990250150	
				CUSTOMER		GENERAL MARKET		SHEET NUMBER	
								1 OF 1	

INVERTED PROFILE MAGNETIC JACK
FAST ETHERNET W/LED, W/POE
& W/SHIELD TABS

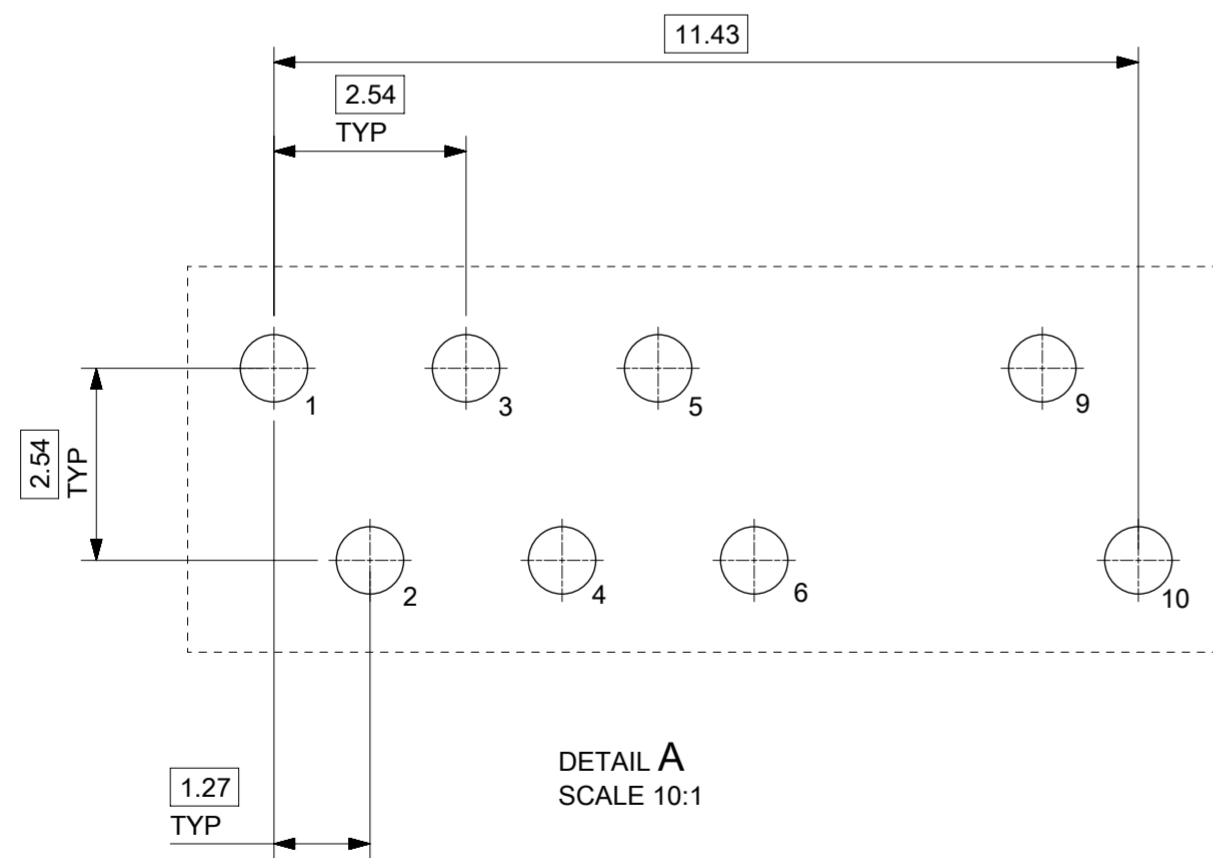


- NOTES:
- 1 - SHIELD MATERIAL: 0.17MM THICK BRASS PRE-PLATED WITH NICKEL
SOLDER TABS POST DIPPED WITH MIN 1.27µm TIN.
 - 2 - HOUSING MATERIAL: LCP, BLACK, UL 94V-0
 - 3 - TERMINALS MATERIAL: PHOSPHOR BRONZE
RJ45 CONTACTS PLATING: BASE NICKEL PLATED WITH GOLD
FLASH OVER PALLADIUM NICKEL. REFER TO 938090001 PSP
PHY SOLDER TAILS: COPPER ALLOY
 - 4 - MATING INTERFACE ACCORDING TO IEC 60603-7 & TIA-1096-A
 - 5 - PRODUCT SPECIFICATION: 938090001 PSP
 - 6 - PACKAGING SPECIFICATION: 934620001 PSK TRAY
 - 7 - STAND OFF TO SYSTEM BOARD 0.30MM MIN
 - 8 - RECOMMENDED PCB THICKNESS: 1.57MM
 - 9 - SHIELD: AVOID ROUTING TRACES OR PLACING
ANY VIAS BELOW THESE AREAS.
 - 10 - AREA FOR PICK AND PLACE: 5.0mm x 8.0mm
 - 11 - INSCRIPTION MARKED BY LASER:
1st : MOLEX
2st : P/N (SEE BOM)
 - 12 - INSCRIPTION MARKED BY LASER:
DATE CODE (DAY/WEEK/YEAR)
 - 13 - MATERIAL COMPLIANT TO RoHS DIRECTIVE 2002/95/EC
 - 14 - PIN7 & PIN8 NOT ASSEMBLED

QUALITY SYMBOLS	THIS DRAWING CONTAINS INFORMATION THAT IS PROPRIETARY TO MOLEX ELECTRONIC TECHNOLOGIES, LLC AND SHOULD NOT BE USED WITHOUT WRITTEN PERMISSION		DIMENSION UNITS	SCALE	
▽ = 0 ▽ = 0 ▽ = 0 ▽ = 0 ▽ = 0 ▽ = 0 ▽ = 0 ▽ = 0 ▽ = 0	ORIGINAL RELEASE EC NO: 116204 DRWN: DBYRNES CHKD: DBYRNES APPR: STGRIFFIN REV: A	2017/03/14 2017/05/05 2017/05/15	GENERAL TOLERANCES (UNLESS SPECIFIED) ANGULAR TOL ± 2.0 ° 4 PLACES ± 3 PLACES ± 2 PLACES ± 0.1 1 PLACE ± 0.2 0 PLACES ± DRAFT WHERE APPLICABLE MUST REMAIN WITHIN DIMENSIONS	MM 3:1 DRWN BY: DBYRNES DATE: 2017/03/14 CHK'D BY: DBYRNES DATE: 2017/05/05 APPR BY: STGRIFFIN DATE: 2017/05/15 DRAWING SIZE: A2 THIRD ANGLE PROJECTION	
RELEASE STATUS: P1 RELEASE DATE: 15.05.2017 07:47:20	DOCUMENT NUMBER: 938093046 DOC TYPE: PSD DOC PART: 000 SHEET NUMBER: 1 OF 3				



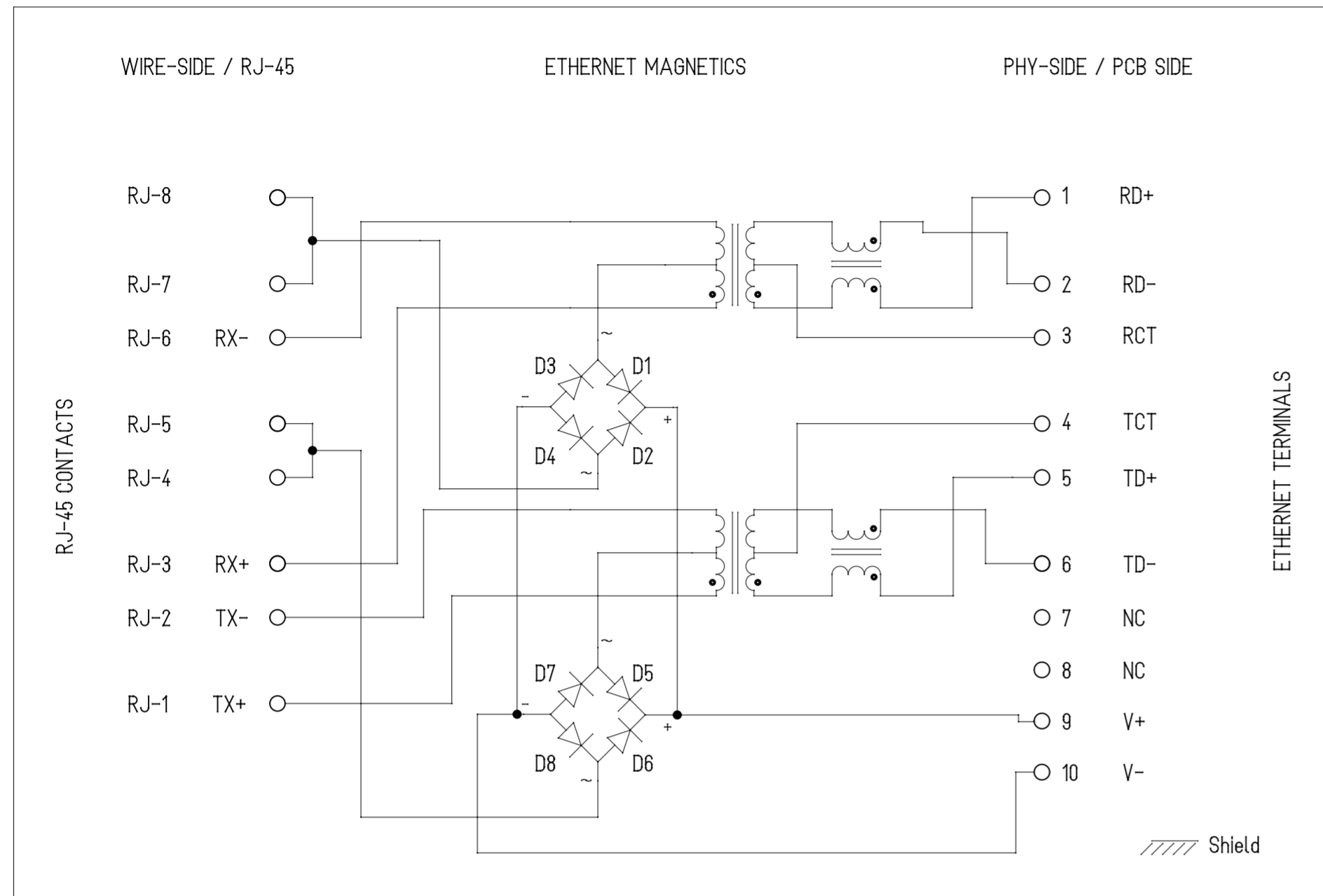
SUGGESTED PCB LAYOUT
FAST ETHERNET VERSION
COMPONENT SIDE
ALL DIMS REFERENCE DIMS



DETAIL A
SCALE 10:1
PIN CONFIGURATION FOR
FAST ETHERNET VERSION

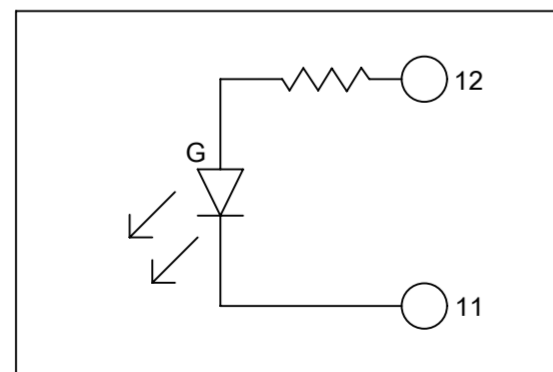
PART NUMBER	LEFT LED	RIGHT LED
938093046	GREEN 250 Ohm	YELLOW 250 Ohm

QUALITY SYMBOLS	THIS DRAWING CONTAINS INFORMATION THAT IS PROPRIETARY TO MOLEX ELECTRONIC TECHNOLOGIES, LLC AND SHOULD NOT BE USED WITHOUT WRITTEN PERMISSION		DIMENSION UNITS		SCALE			
▽ = 0	ORIGINAL RELEASE EC NO: 116204 DRWN: DBYRNES CHKD: DBYRNES APPR: STGRIFFIN	2017/03/14 2017/05/05 2017/05/15	GENERAL TOLERANCES (UNLESS SPECIFIED)		MM		5:1	
▽ = 0			ANGULAR TOL ± 2.0 °		DRWN BY DATE		DBYRNES 2017/03/14	
▽ = 0			4 PLACES ±		CHK'D BY DATE		DBYRNES 2017/05/05	
▽ = 0			3 PLACES ±		APPR BY DATE		STGRIFFIN 2017/05/15	
▽ = 0	2 PLACES ± 0.1		DRAWING SIZE		A2	THIRD ANGLE PROJECTION		
▽ = 0	1 PLACE ± 0.2		DRAFT WHERE APPLICABLE MUST REMAIN WITHIN DIMENSIONS					
▽ = 0	0 PLACES ±		DRAWING SIZE		A2			
☒ = 0	PRODUCT CUSTOMER DRAWING		SERIES		MATERIAL NUMBER			
■ = 0	93809		SEE TABLE		CUSTOMER			
▽ = 0	DOCUMENT NUMBER		DOC TYPE		DOC PART SHEET NUMBER			
	938093046		PSD		000 2 OF 3			

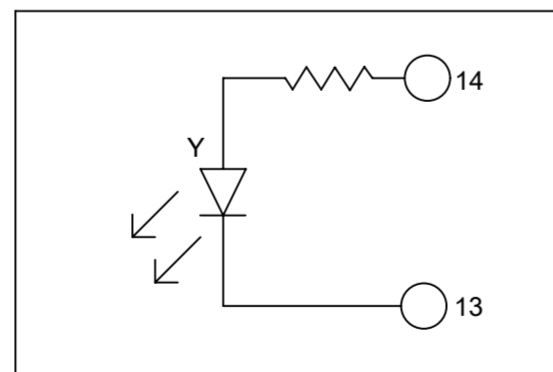


Description	Value	
OCL @ 100kHz, 0.1V 8mA DC bias (0°C to +70°C)	350µH min.	
Turns ratio	1CT:1CT	
PoE Current	350mA DC max	
Transmission characteristics @ 25°C, all four pairs		
Insertion Loss		
Frequency (MHz)	Limits (dB max.)	Typical Values (dB max.)
1.0-9.9 MHz	0.4+0.1*log(F)	0.5 @ 10MHz
10-49.9 MHz	0.5+0.3*log(F/10)	0.7 @ 50MHz
50-79.9 MHz	1+1.4*log(F/80)	1.0 @ 80MHz
80-100 MHz	1.3+3*log(F/100)	1.3 @ 100Mhz
Return Loss		
Frequency (MHz)	Limits (dB min.)	Typical Values (dB min.)
1.0-39.9 MHz	18	18 @ 40MHz
40-100 MHz	12-20*log(F/80)	10 @ 100MHz
CMR		
Frequency (MHz)	Limits (dB min.)	Typical Values (dB min.)
1.0-100MHz	30	30 @ 100MHz
Next		
Frequency (MHz)	Limits (dB min.)	Typical Values (dB min.)
1.0-39.9MHz	35	35 @ 40MHz
40-100MHz	33-20*log(F/50)	27 @ 100MHz
Isolation PHY to wire side		
2.25kVDC/60sec		

LEFT LED



RIGHT LED



QUALITY SYMBOLS	THIS DRAWING CONTAINS INFORMATION THAT IS PROPRIETARY TO MOLEX ELECTRONIC TECHNOLOGIES, LLC AND SHOULD NOT BE USED WITHOUT WRITTEN PERMISSION			
▽ = 0	ORIGINAL RELEASE EC NO: 116204 DRWN: DBYRNES CHKD: DBYRNES APPR: STGRIFFIN 2017/03/14 2017/05/05 2017/05/15	GENERAL TOLERANCES (UNLESS SPECIFIED)	DIMENSION UNITS	SCALE
▽ = 0		MM	1:1	
▽ = 0		ANGULAR TOL ± 2.0 °	DRWN BY	DATE
▽ = 0		4 PLACES ±	DBYRNES	2017/03/14
▽ = 0		3 PLACES ±	CHK'D BY	DATE
▽ = 0		2 PLACES ± 0.1	DBYRNES	2017/05/05
▽ = 0	1 PLACE ± 0.2	APPR BY	DATE	
▽ = 0	0 PLACES ±	STGRIFFIN	2017/05/15	
☒ = 0	DRAFT WHERE APPLICABLE MUST REMAIN WITHIN DIMENSIONS	DRAWING SIZE	THIRD ANGLE PROJECTION	
■ = 0		A2		
▽ = 0				
		molex		
		MXMAG POE 10/100 INV PRO COMMERCIAL		
		PRODUCT CUSTOMER DRAWING		
RELEASE STATUS	P1	RELEASE DATE	15.05.2017 07:47:20	
SERIES	MATERIAL NUMBER	CUSTOMER		
93809	SEE SHEET 2			
DOCUMENT NUMBER	DOC TYPE	DOC PART	SHEET NUMBER	
938093046	PSD	000	3 OF 3	