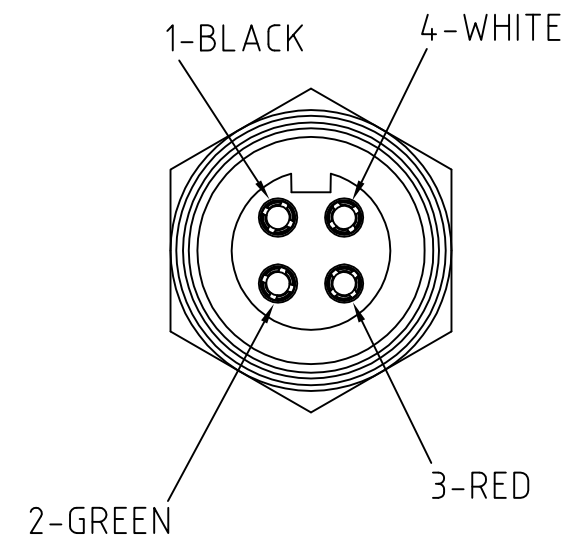
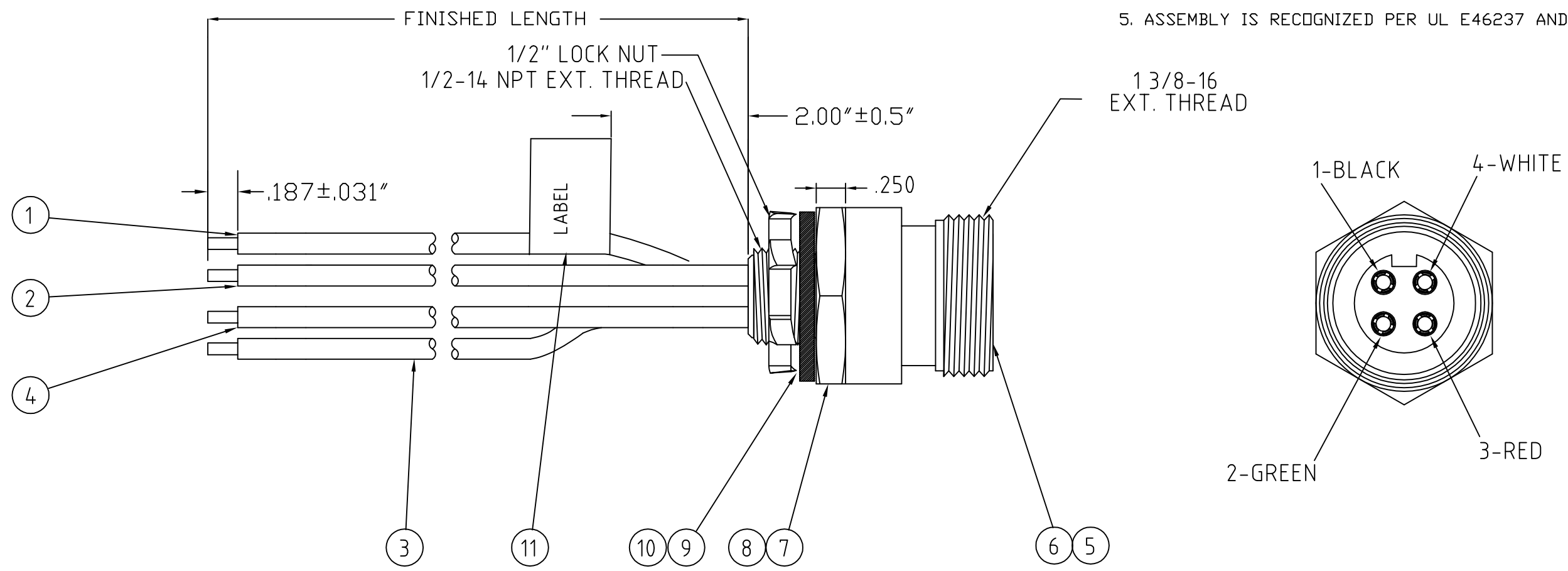


10	9	8	7	6	5	4	3	2	1
MATERIAL NUMBER	ENGINEERING NUMBER	LENGTH							
1300030128	6R4004A29F060	6 FT							

- NOTES:
1. MATERIAL: SEE TABLE
 2. FINISHES: SEE TABLE
 3. ELECTRICAL SPECIFICATIONS: 600 VOLTS 20 AMPS
 4. ASSEMBLY IS ROHS COMPLIANT
 5. ASSEMBLY IS RECOGNIZED PER UL E46237 AND CERTIFIED PER CSA LR6837



11	1	FLAG LABEL	VINYL	YELLOW
10	1	LOCKNUT	STEEL	ZINC PLATE
9	1	GASKET	NEOPRENE	BLACK
8	A/R	EPOXY RESIN AND HARDENER		BLACK
7	1	RECEPTACLE SHELL	NYLON	BLACK
6	1	FEMALE INSERT	NITRILE PVC RUBBER	YELLOW
5	4	SOCKET CONTACT	COPPER	GOLD PLATED
4	SEE TABLE	#10-1 WIRE THHN	PVC JACKET	GREEN
3	SEE TABLE	#10-1 WIRE THHN	PVC JACKET	RED
2	SEE TABLE	#10-1 WIRE THHN	PVC JACKET	BLACK
1	SEE TABLE	#10-1 WIRE THHN	PVC JACKET	WHITE
ITEM	QTY	DESCRIPTION	MATERIAL	FINISH

EC NO: WNA2009-0083 DRWN: MODELL 2008/08/05 CHKD: --- APPR: RDEROSS 2008/08/07	DESCRIPTION REV	QUALITY SYMBOLS ▽=0 ▽=0	GENERAL TOLERANCES (UNLESS SPECIFIED) mm INCH 4 PLACES ±--- ±--- 3 PLACES ±--- ±--- 2 PLACES ±--- ±--- 1 PLACE ±--- ±--- ANGULAR ±---°	DIMENSION STYLE ---- DRAWN BY DATE MODELL 2008/08/05 CHECKED BY DATE RDEROSS 2008/08/05 APPROVED BY DATE RDEROSS 2008/08/05	SCALE ---- DESIGN UNITS ----	THIRD ANGLE PROJECTION	
		DRAFT WHERE APPLICABLE MUST REMAIN WITHIN DIMENSIONS			MATERIAL NO. SEE TABLE	TITLE QC FEM 1/2" NPT RECPT 4 POLE 12 AWG NYLON SHELL	
		SIZE B		THIS DRAWING CONTAINS INFORMATION THAT IS PROPRIETARY TO MOLEX INCORPORATED AND SHOULD NOT BE USED WITHOUT WRITTEN PERMISSION		DOCUMENT NO. SD-130003-002	SHEET NO. 1 OF 1
		MOLEX INCORPORATED					

10	9	8	7	6	5	4	3	2	1
----	---	---	---	---	---	---	---	---	---