

# Flush-type connector - SACC-CI-M12FST-4P SMD R32 - 1411981

Please be informed that the data shown in this PDF Document is generated from our Online Catalog. Please find the complete data in the user's documentation. Our General Terms of Use for Downloads are valid (<http://phoenixcontact.com/download>)




Flush-type connector, Power, 4-position, Socket, straight, M12, T power, PCB mounting, SMD

## Your advantages

- ✔ For compact devices: transmit high power in a confined space
- ✔ Reduced mounting costs thanks to two-piece device connector
- ✔ Packaging available for automated pick and place assembly
- ✔ All common pin assignments and codings available
- ✔ Easy device integration thanks to mechanical port screw connections with threaded attachment, press-in contour or direct integration in the front plate



## Key Commercial Data

Packing unit	100 pc
Minimum order quantity	100 pc
GTIN	 4 046356 991728
GTIN	4046356991728

## Technical data

### Ambient conditions

Ambient temperature (operation)	-25 °C ... 105 °C (Plug / socket)
	-55 °C ... 105 °C (without mechanical actuation)
Degree of protection	IP67, when plugged in

### General

Note	The electrical and mechanical data specified assume that the connector pair is correctly locked and mounted. If the connector is unlocked and if there is a danger of contamination, the connector must be sealed using a protective cap > IP54. Influences arising from litz wires, cables or PCB assembly must also be taken into consideration.
Rated current at 40°C	12 A
Rated voltage	63 V

# Flush-type connector - SACC-CI-M12FST-4P SMD R32 - 1411981

## Technical data

### General

Rated surge voltage	1.5 kV
Number of positions	4
Insulation resistance	≥ 100 MΩ
Coding	T power
Standards/regulations	M12 connector IEC 61076-2-111 In line with
Signal type/category	Power
Overvoltage category	III
Degree of pollution	3
Connection method	SMD
Insertion/withdrawal cycles	> 100
Mounting type	PCB mounting
Type of packaging	Belt

### Material

Flammability rating according to UL 94	V0
Contact material	CuZn
Contact surface material	Au
Contact carrier material	PA

### Cable

Standards/specifications	M12 connector IEC 61076-2-111 In line with
--------------------------	--

### Standards and Regulations

Standard designation	M12 connector
Standards/regulations	IEC 61076-2-111
Flammability rating according to UL 94	V0

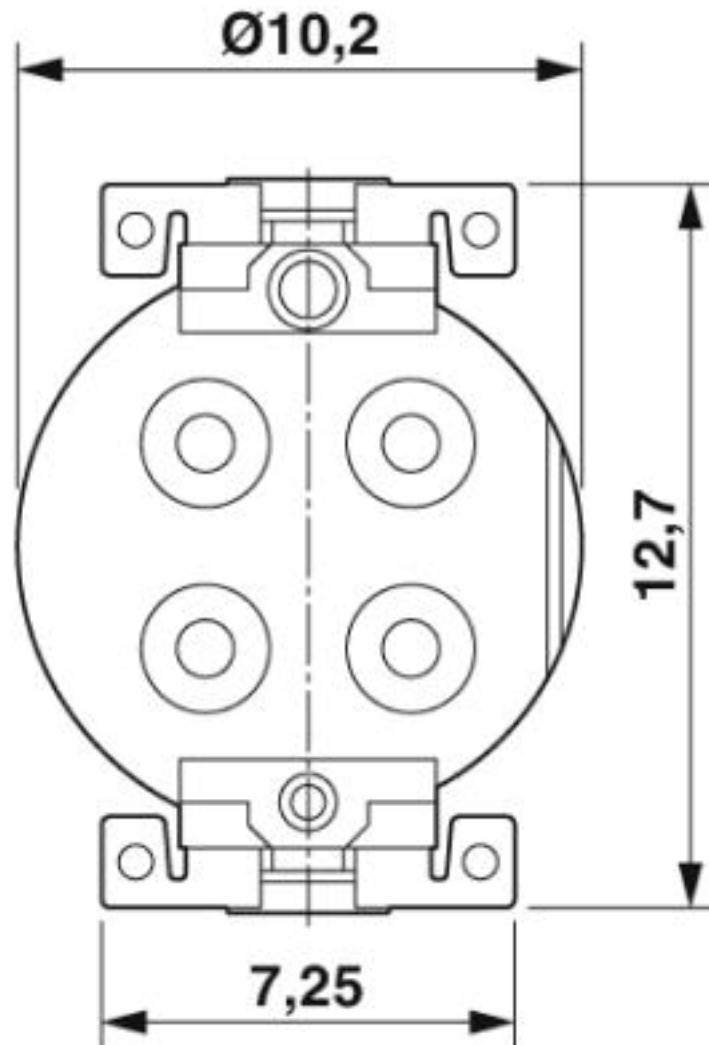
### Environmental Product Compliance

	Lead 7439-92-1
China RoHS	Environmentally Friendly Use Period = 50
	For details about hazardous substances go to tab "Downloads", Category "Manufacturer's declaration"

## Drawings

# Flush-type connector - SACC-CI-M12FST-4P SMD R32 - 1411981

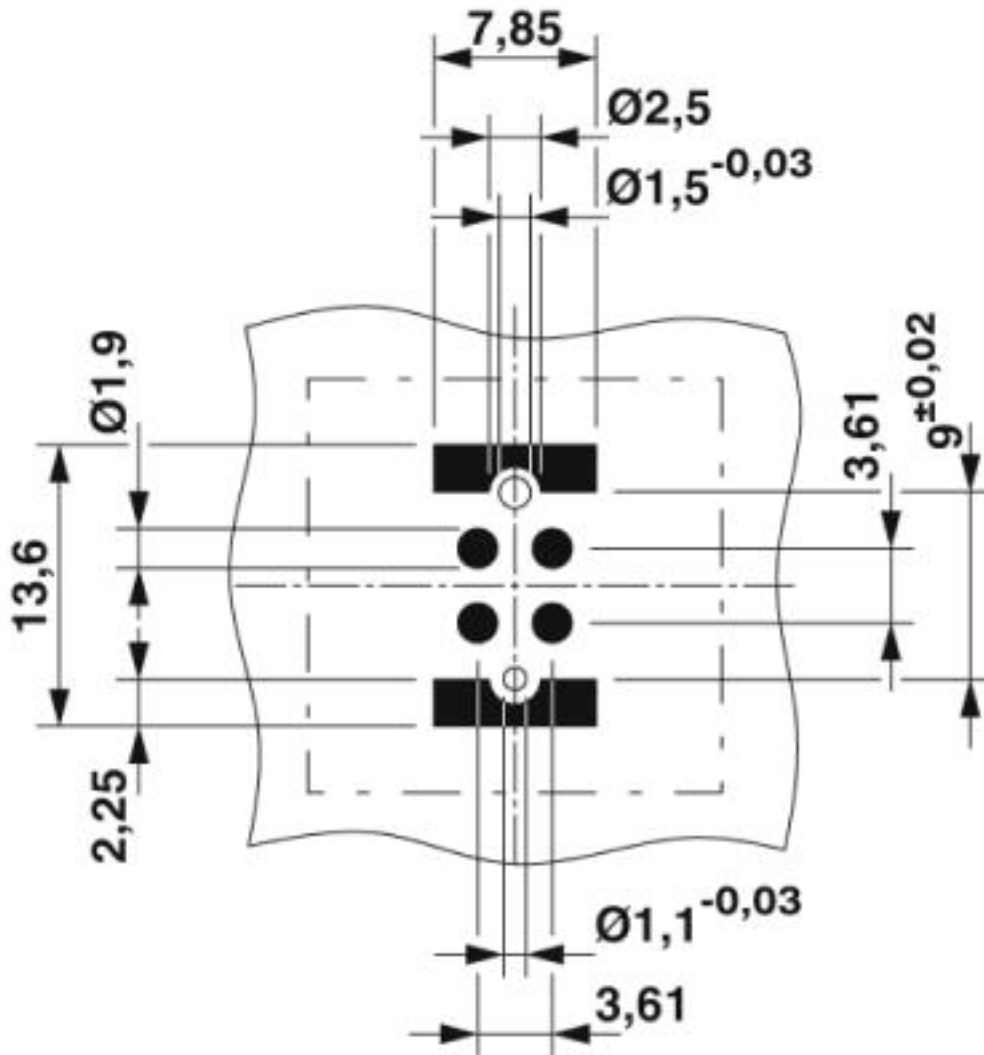
Dimensional drawing



View of solder side

# Flush-type connector - SACC-CI-M12FST-4P SMD R32 - 1411981

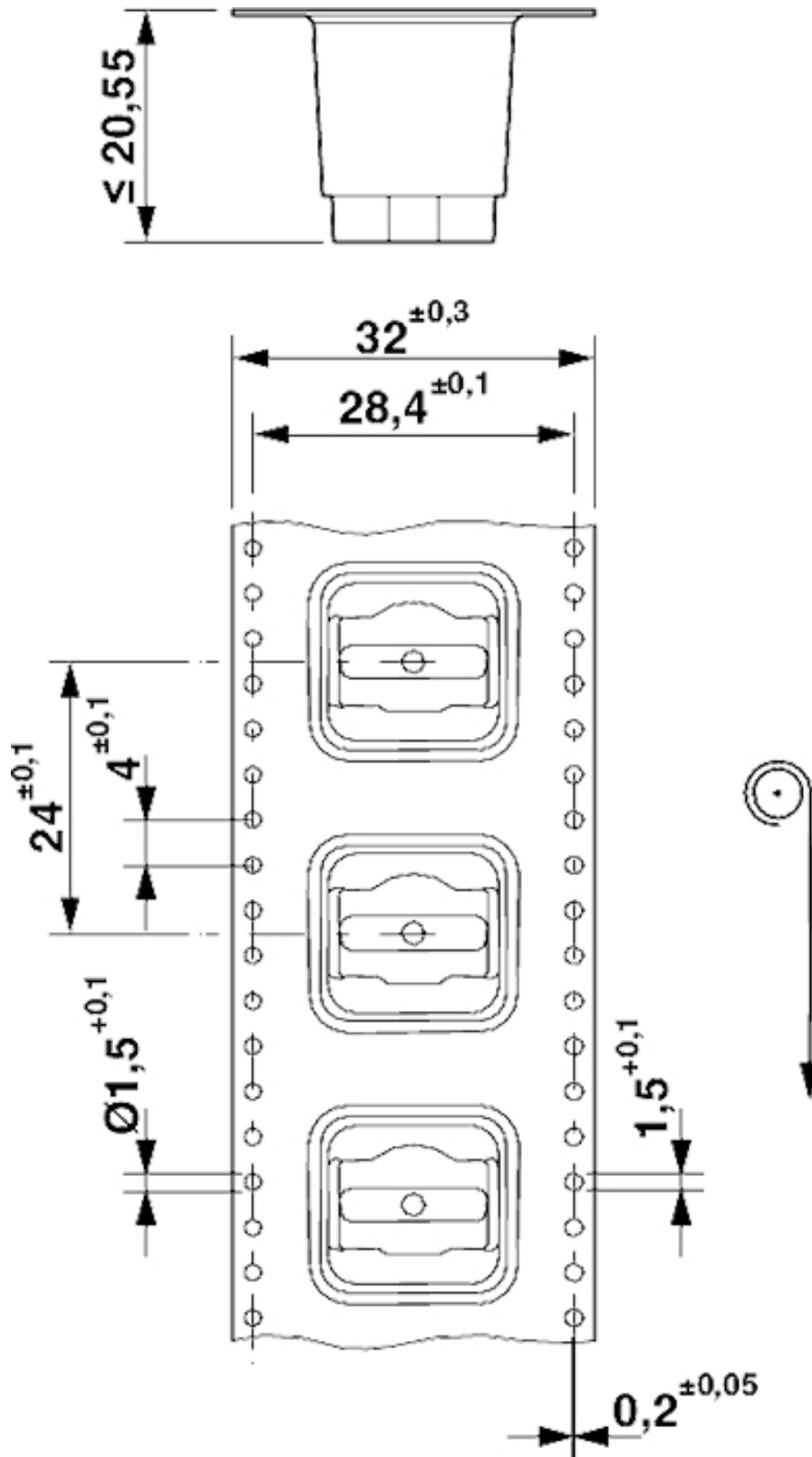
Drilling diagram



Soldering pad geometry

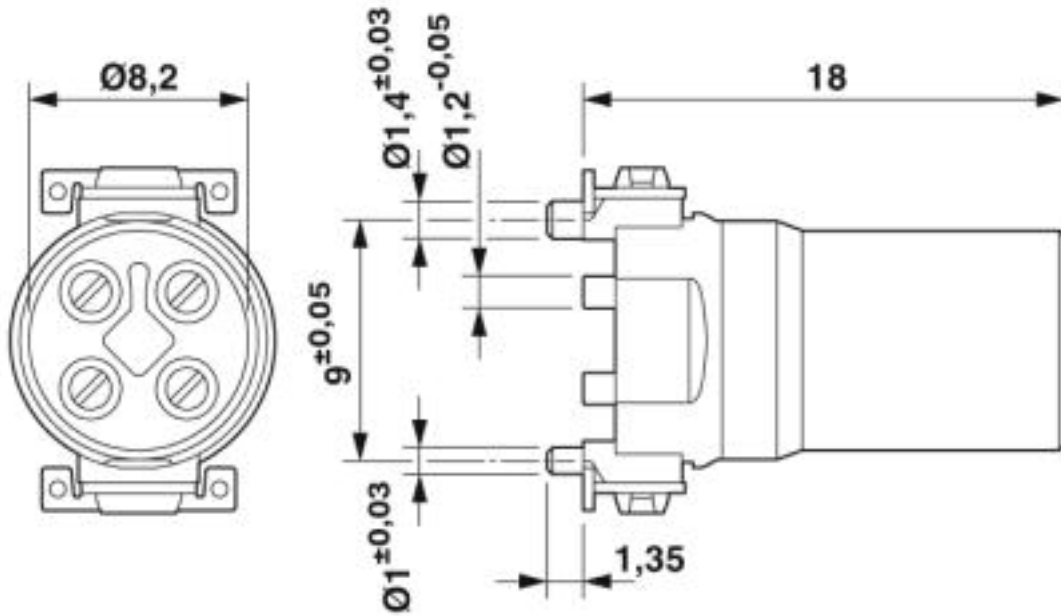
# Flush-type connector - SACC-CI-M12FST-4P SMD R32 - 1411981

Dimensional drawing



# Flush-type connector - SACC-CI-M12FST-4P SMD R32 - 1411981

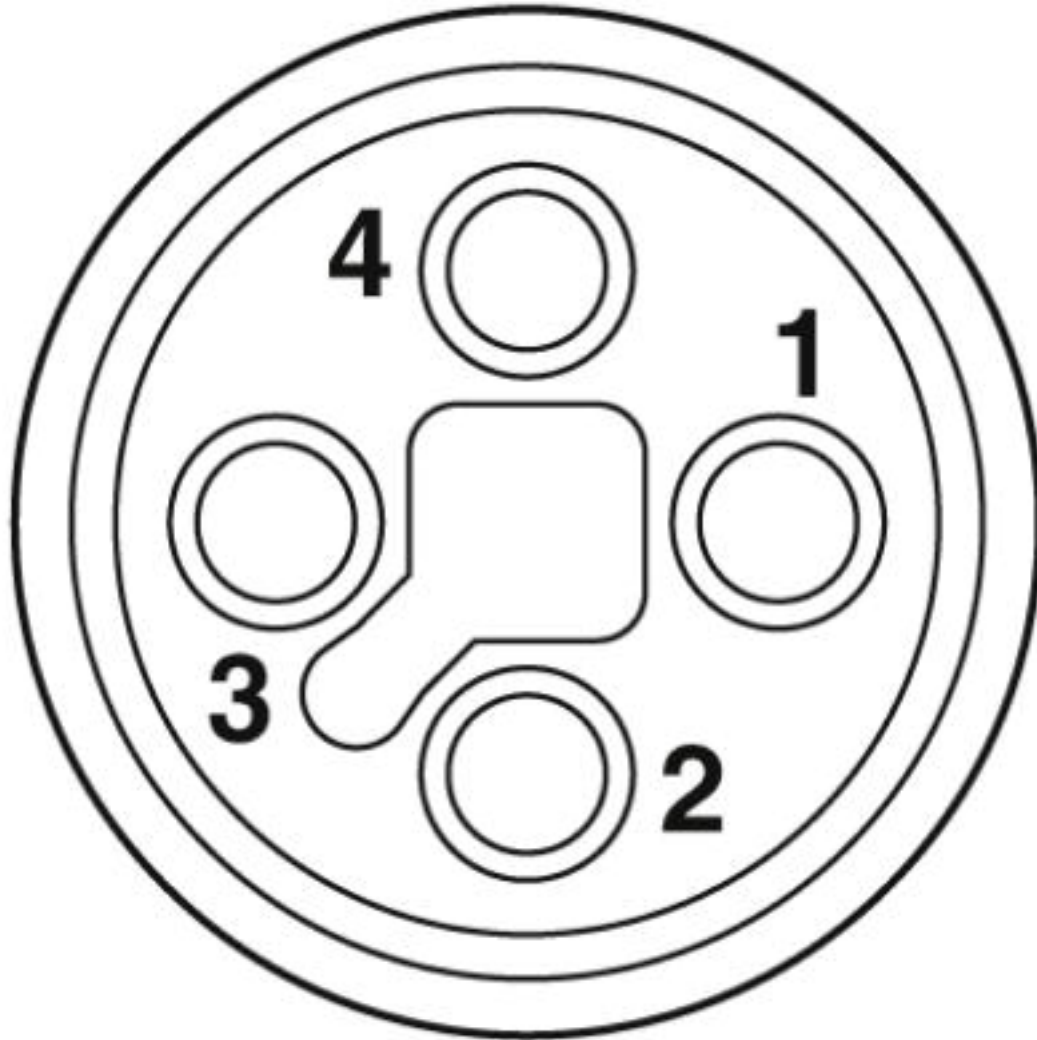
Dimensional drawing



M12 female connector contact carrier

# Flush-type connector - SACC-CI-M12FST-4P SMD R32 - 1411981

Schematic diagram



Pin assignment of M12 socket, 4-pos., T-coded, socket side view

## Approvals

Approvals

---

Approvals

UL Listed / cUL Listed / EAC / cULus Listed

---

Ex Approvals

---

Approval details

# Flush-type connector - SACC-CI-M12FST-4P SMD R32 - 1411981

## Approvals

UL Listed		<a href="http://database.ul.com/cgi-bin/XYV/template/LISEXT/1FRAME/index.htm">http://database.ul.com/cgi-bin/XYV/template/LISEXT/1FRAME/index.htm</a>	FILE E 468743
Nominal voltage UN		63 V	
Nominal current IN		10 A	

cUL Listed		<a href="http://database.ul.com/cgi-bin/XYV/template/LISEXT/1FRAME/index.htm">http://database.ul.com/cgi-bin/XYV/template/LISEXT/1FRAME/index.htm</a>	FILE E 468743
Nominal voltage UN		63 V	
Nominal current IN		8 A	

EAC		B.01742
-----	--	---------

cULus Listed	
--------------	--

Phoenix Contact 2019 © - all rights reserved  
<http://www.phoenixcontact.com>

PHOENIX CONTACT GmbH & Co. KG  
Flachsmarktstr. 8  
32825 Blomberg  
Germany  
Tel. +49 5235 300  
Fax +49 5235 3 41200  
<http://www.phoenixcontact.com>