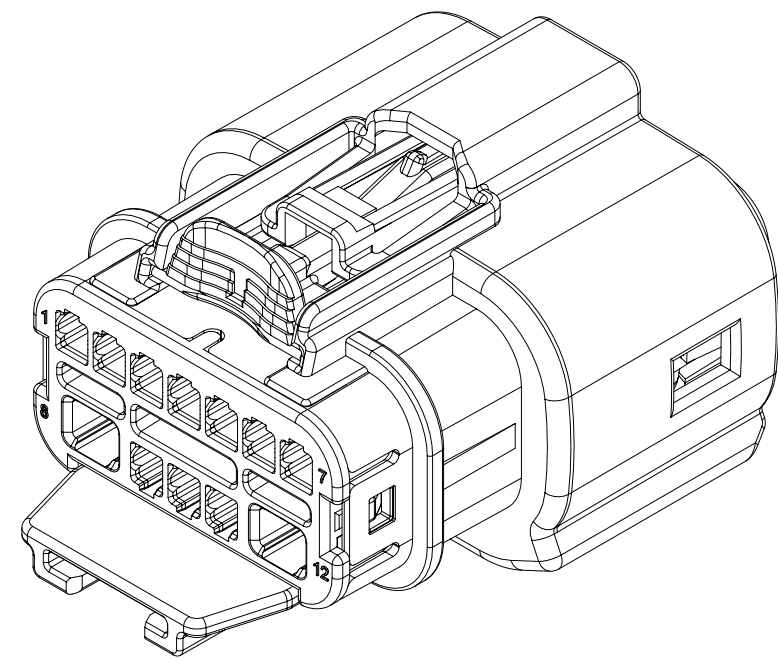
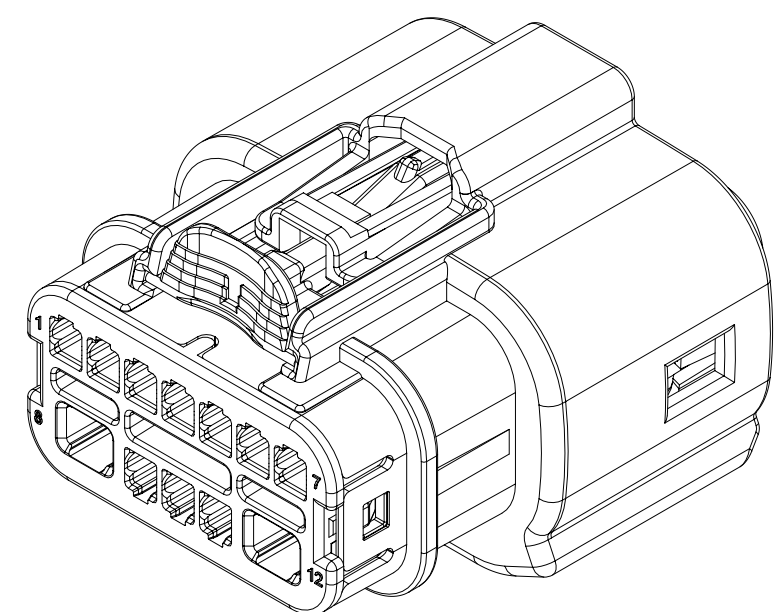


TABLE OF CONTENTS	
SHEET NO.	SHEET DESCRIPTION
1	NOTES
2	CONFIGURATIONS
3	KEY CONFIGURATIONS
4	RECEPTACLE CONNECTOR ASSEMBLY
5	12W HYBRID CONNECTOR BOM
6	12W HYBRID CONNECTOR BOM
7	12W HYBRID INTERFACE DEFINITION

DESCRIPTION	PACKAGING DRAWING NO.	MATING INTERFACE/CONNECTOR DRAWINGS	
		INTERFACE DEFINITION	MOLEX INLINE
12W HYBRID	RPK-1601110900	SEE PAGE 6	E-1601120000



12W HYBRID W/ EXTENED CLIPSLOT



12W HYBRID NON-CLIPSLOT

NOTES: VALID UNLESS OTHERWISE SPECIFIED

1. GENERAL:

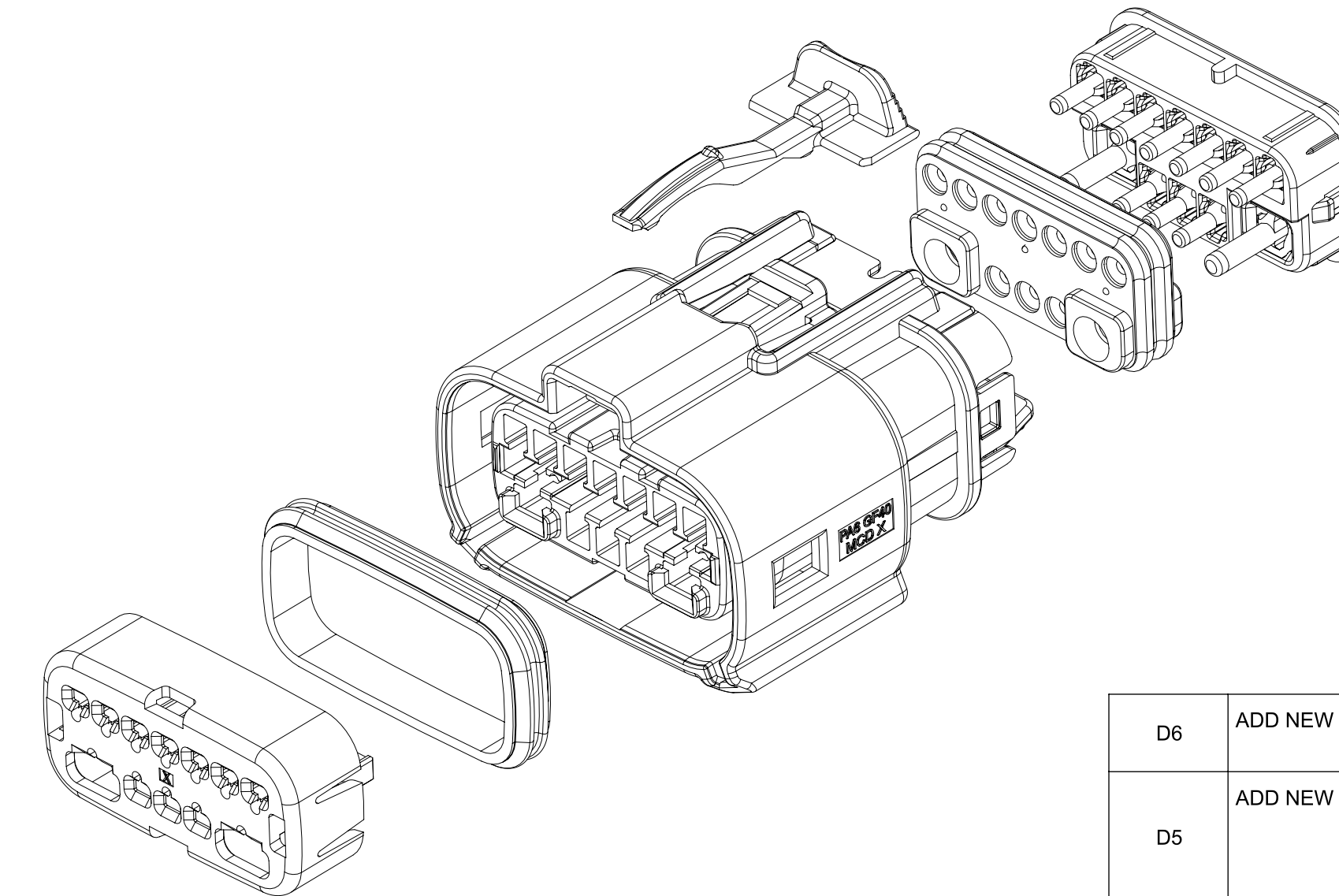
- 1.1 APPLICATION SPECIFICATION SEE: 1601110001-AS
 - CONTAINS: PRODUCT INTRODUCTION, PRODUCT SUMMARY, CONNECTOR ASSEMBLY, PACKAGING INFORMATION, CONNECTOR MATING, SERVICE INSTRUCTIONS, ELECTRICAL CONTINUITY CHECKING, CRIMPING, AND TROUBLE SHOOTING.
 - DESIGNED TO MATE WITH DEVICE OR CONNECTOR AS SPECIFIED IN THE MATING INTERFACE/CONNECTOR DRAWINGS CHART.
 - *DENOTES DRAWINGS THAT CAN BE ACCESSED AT [http://ewcap.uscarteams.org/]
 - ASSEMBLY SHIPPED WITH THE FOLLOWING PARTS IN PRE-LOCK POSITION (PLR, CPA, ISL, LEVEL. SEE PRE-LOCK VIEW ON PAGE 4).
- 1.2 PRODUCT SPECIFICATION SEE: 1601110001-PS
 - CONTAINS: SCOPE, PRODUCT DESCRIPTION, INTEGRAL COMPONENTS AND ACCESSORIES, APPLICABLE DOCUMENTS AND SPECIFICATIONS, RATINGS, PERFORMANCE, PACKAGING, GAUGES AND FIXTURES, AND OTHER INFORMATION.
- 1.3 PACKAGING SPECIFICATION PER MOLEX DRAWING: SEE PACKAGING CHART
- 1.4 PARTS MUST BE IN COMPLIANCE TO MOLEX CHEMICAL SUBSTANCES FOR PRODUCTS AND PACKAGING SPECIFICATION: QEHS-699000-300
- 1.5 DATA MUST BE SUBMITTED UNDER THE MOLEX PART NUMBER TO IMDS (COMPANY ID#13255)

2. DESIGN - MATERIALS:

- 2.1 SEE BOM TABLE

3. DESIGN - GEOMETRY:

- 3.1 THE 3-D CAD DATA IS BASIC (WITHOUT TOLERANCE) AND MUST BE TAKEN FROM THE DATA FILE AT ITS LATEST REVISION.
- 3.2 THE 3-D CAD DATA IS MASTER FOR THIS PART AND IS TO BE USED TO ESTABLISH DIMENSIONAL INFORMATION NOT SHOWN ON THIS DRAWING. ANY DIMENSIONS UNDERLINED INDICATE A CONFLICT WITH THE MODEL.
- 3.3 PRODUCT DESIGN MODEL NUMBER(S): SEE BOM TABLE
- 3.4 GEOMETRIC DIMENSIONS AND TOLERANCES PER ASME Y14.5M-2009
- 3.5 EDGES OF UNDEFINED SHAPE PER ISO 13715
- 3.6 CORNERS SHOWN AS SHARP TO BE R 0.2 MAX
- 3.7 LETTERING SHALL BE 0.15 MAX RAISED IN 0.25 MAX RECESS PAD.
THIS INCLUDES RECYCLING CODE, CAVITY ID, VENDOR IDENTIFICATION, AND CUSTOMER MATERIAL NUMBER.
- 3.8 VISUAL DEFECTS SHALL MEET COSMETIC STANDARD PS-45499-002 (CLASS B).
- 3.9 LASER MARKING
 1. PART NUMBER
 2. DAY OF THE YEAR
 3. SHIFT
 4. YEAR
 FOR ADDITIONAL INFORMATION SEE SECTION 5 UNDER PROCEDURES IN ES-34735-008.



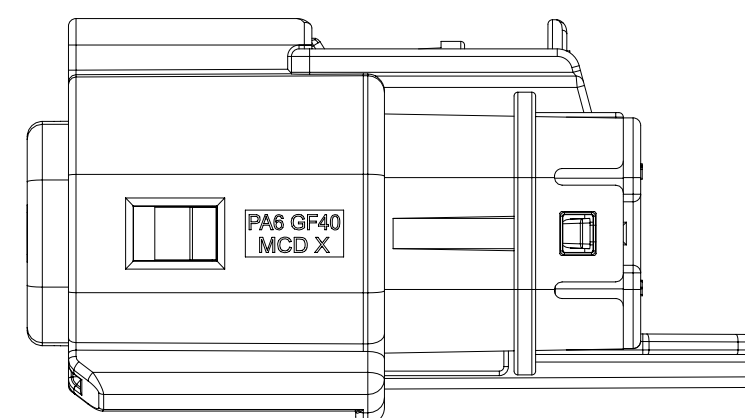
D6	ADD NEW PART NO. 160111-6068 160111-6069
D5	ADD NEW PART NO. 160111-6064 160111-6065 160111-6066 160111-6067
D4	ADD 160111-6062 AND 160111-6063
D3	ADD 160111-6061
D2	ADD 160111-6059 AND 6060
D1	ADD 160111-6054 THRU 6058
D	ADD 160111-6050 THRU 6053
C2	UPDATED NOTES
C1	CHANGE DOCUMENT TYPE FROM RSD TO SD
C	ADD 160111-6046 THRU 6049
B	UPDATED INFORMATION TO PRODUCTION LEVEL
A2	ADDED NEW PART NO. 160111-6039 160111-6040 160111-6041 160111-6042 160111-6043 160111-6044 160111-6045
A1	ADDED NEW PART NO. 160111-6021 160111-6022 160111-6023 160111-6024 160111-6025 160111-6026 160111-6027 160111-6028 160111-6029 160111-6030 160111-6031 160111-6032 160111-6033 160111-6034 160111-6035 160111-6036 160111-6037 160111-6038
A	INITIAL RELEASE

INSPECTION NUMBER LOG	
LAST NUMBER: 7	REV DESCRIPTION
REV	REV DESCRIPTION

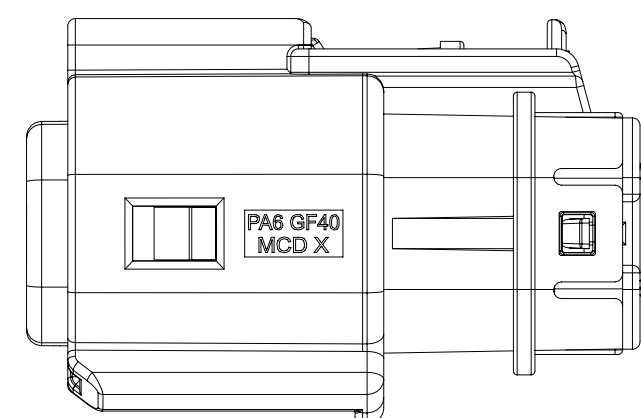
FUNCTIONAL SYMBOLS		THIS DRAWING CONTAINS INFORMATION THAT IS PROPRIETARY TO MOLEX ELECTRONIC TECHNOLOGIES, LLC AND SHOULD NOT BE USED WITHOUT WRITTEN PERMISSION		CURRENT REV DESC: SEE REVISION TABLE	
$\frac{F}{A} = 0$	mm	SCALE	2:1	molex MX150 HYBRID MAT SEAL RCPT CONN ASM PRODUCT SALES DRAWING	
$\frac{F}{C} = 0$	GENERAL TOLERANCES (UNLESS SPECIFIED)				
$\frac{F}{P} = 0$	ANGULAR TOL $\pm 0.5^\circ$				
DIVISIONAL SYMBOLS		PHASE: Design Production		DOCUMENT NUMBER	
4 PLACES ± 0.0000		CO NO: CO-00000522		1601110000	
3 PLACES ± 0.0000		DRWN: Srikanth CV 2022-02-16		PSD 000 D6	
2 PLACES ± 0.0000		CHK'D: Chaitra D 2022-02-17		DOC TYPE DOC PART REVISION	
1 PLACE ± 0.00		APPR: Gurunandan GA 2022-02-17		1601110000 PSD 000 D6	
0 PLACES ± 0.00		INITIAL REVISION:		MATERIAL NUMBER CUSTOMER SHEET NUMBER	
		DRWN: Srikanth CV 2022-02-16		160111 CHARTED 1 OF 7	
		APPR: Gurunandan GA 2022-02-17			
DRAFT WHERE APPLICABLE MUST REMAIN WITHIN DIMENSIONS		THIRD ANGLE PROJECTION			
		DRAWING SERIES			
		D-SIZE 160111			

SHEET DESCRIPTION

CONFIGURATIONS



12W HYBRID W/ EXTENED CLIPSLOT



12W HYBRID NON-CLIPSLOT

FUNCTIONAL SYMBOLS	THIS DRAWING CONTAINS INFORMATION THAT IS PROPRIETARY TO MOLEX ELECTRONIC TECHNOLOGIES, LLC AND SHOULD NOT BE USED WITHOUT WRITTEN PERMISSION		
	DIMENSION UNITS	SCALE	CURRENT REV DESC: SEE REVISION TABLE
$\nabla_A = 0$	mm	2:1	PHASE: Design Production CO NO: CO-00000522
$\nabla_C = 0$	GENERAL TOLERANCES (UNLESS SPECIFIED)		
$\nabla_D = 0$	ANGULAR TOL $\pm 0.5^\circ$		DRWN: Srikanth CV 2022-02-16
DIVISIONAL SYMBOLS	4 PLACES	± 0.0000	CHK'D: Chaitra D 2022-02-17
	3 PLACES	± 0.0000	APPR: Gurunandan GA 2022-02-17
	2 PLACES	± 0.000	INITIAL REVISION:
	1 PLACE	± 0.00	DRWN: Srikanth CV 2022-02-16
	0 PLACES	± 0.00	APPR: Gurunandan GA 2022-02-17
DRAFT WHERE APPLICABLE MUST REMAIN WITHIN DIMENSIONS		THIRD ANGLE PROJECTION	DRAWING
			SERIES
		D-SIZE	MATERIAL NUMBER
		160111	CUSTOMER
		CHARTED	SHEET NUMBER
			2 OF 7

molex

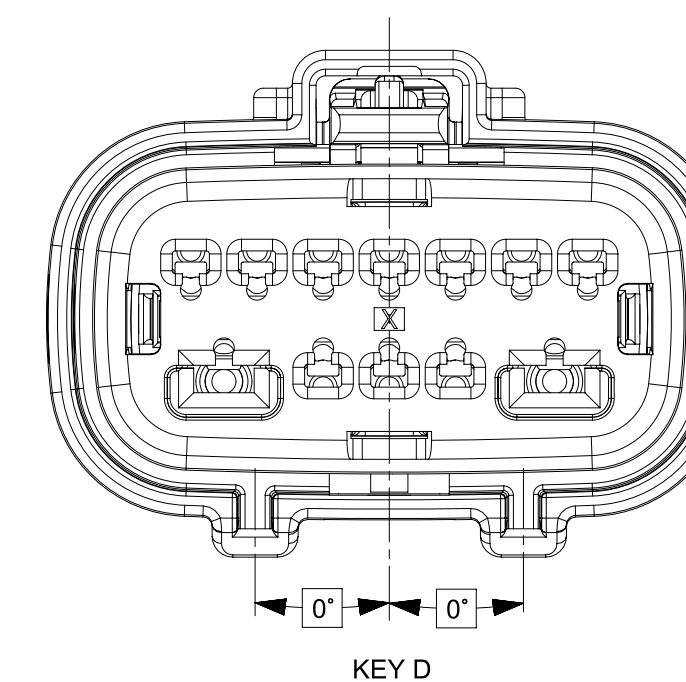
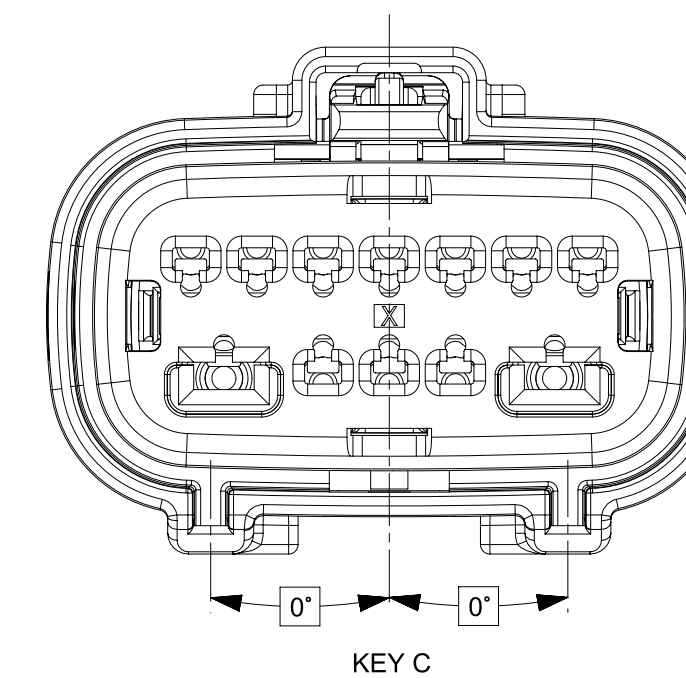
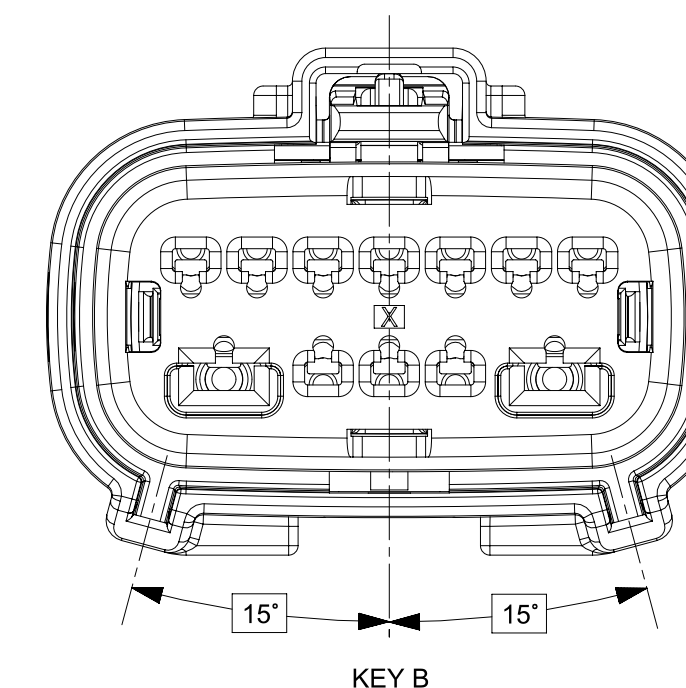
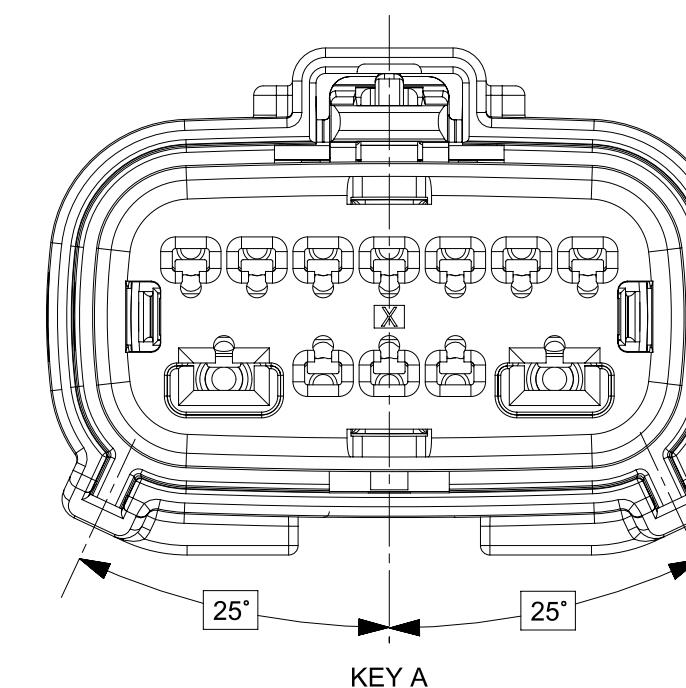
MX150 HYBRID MAT SEAL RCPT CONN ASM

PRODUCT SALES DRAWING

DOCUMENT NUMBER: 1601110000
DOC TYPE: PSD
DOC PART: 000
REVISION: D6

2 OF 7

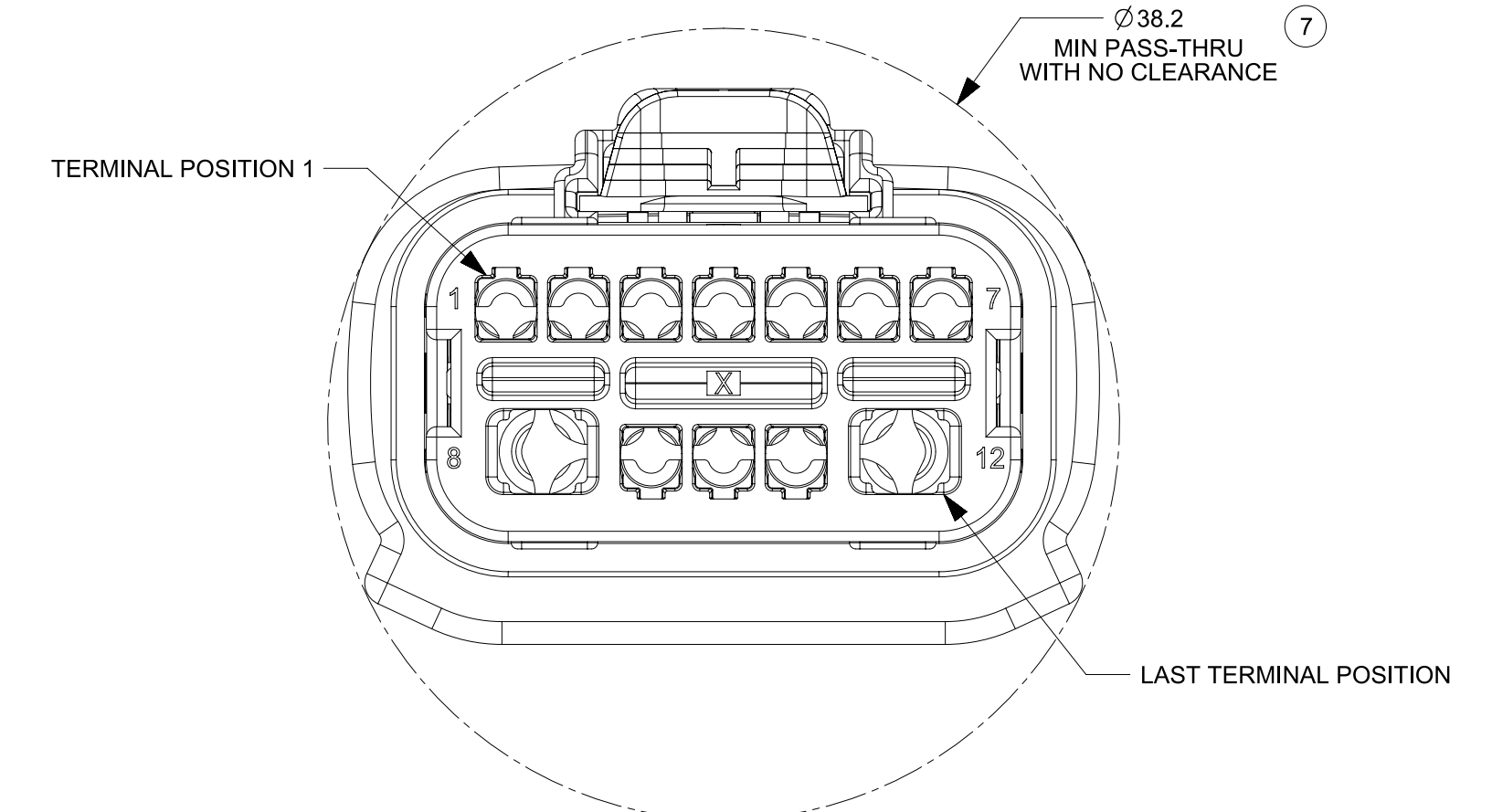
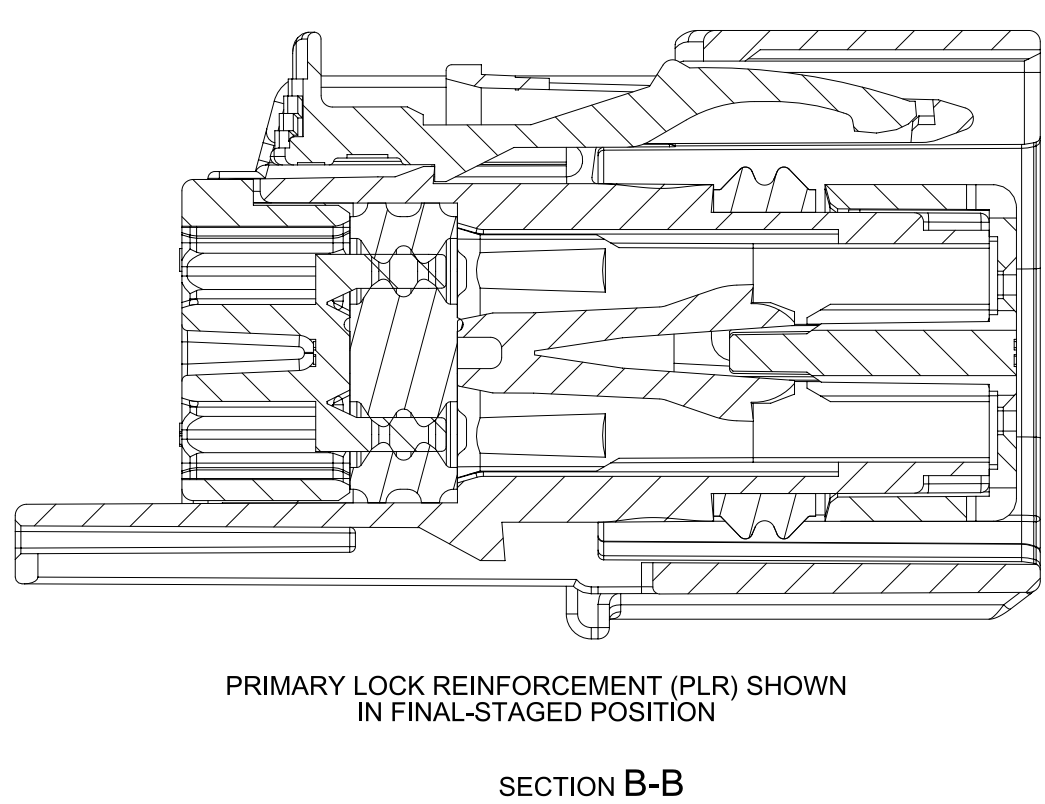
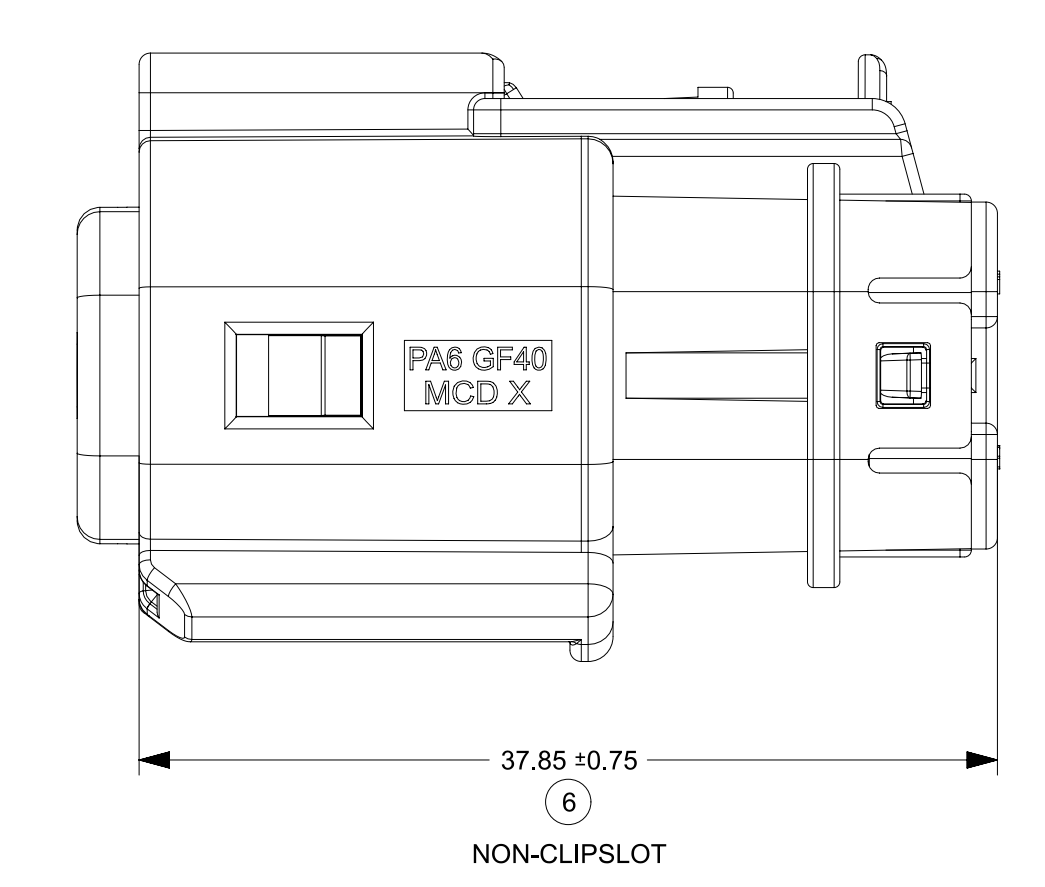
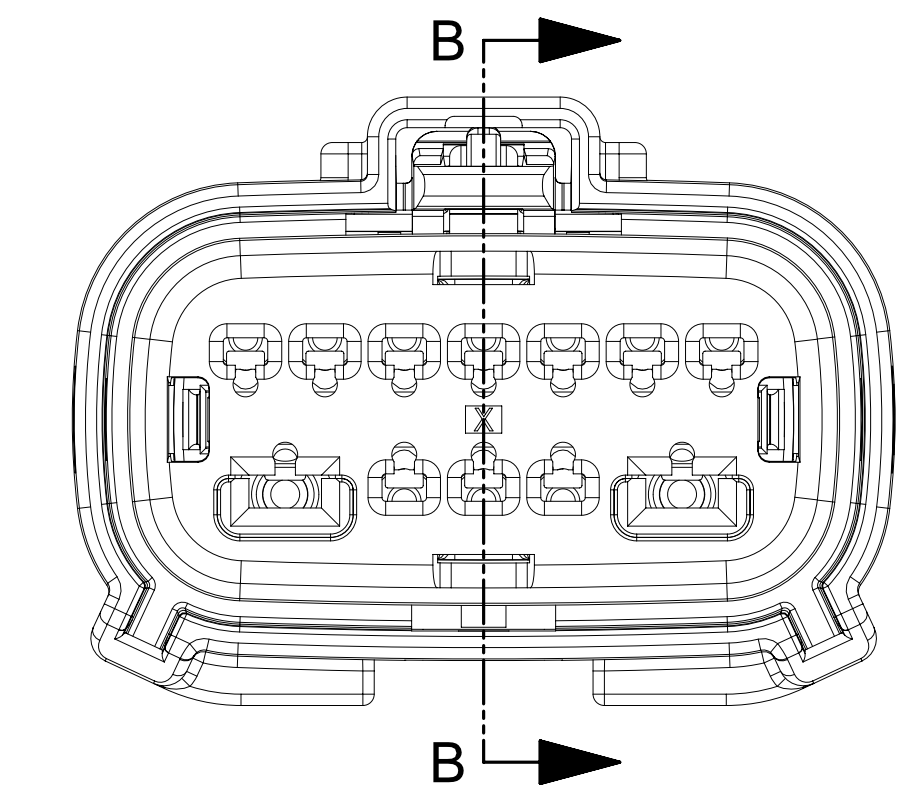
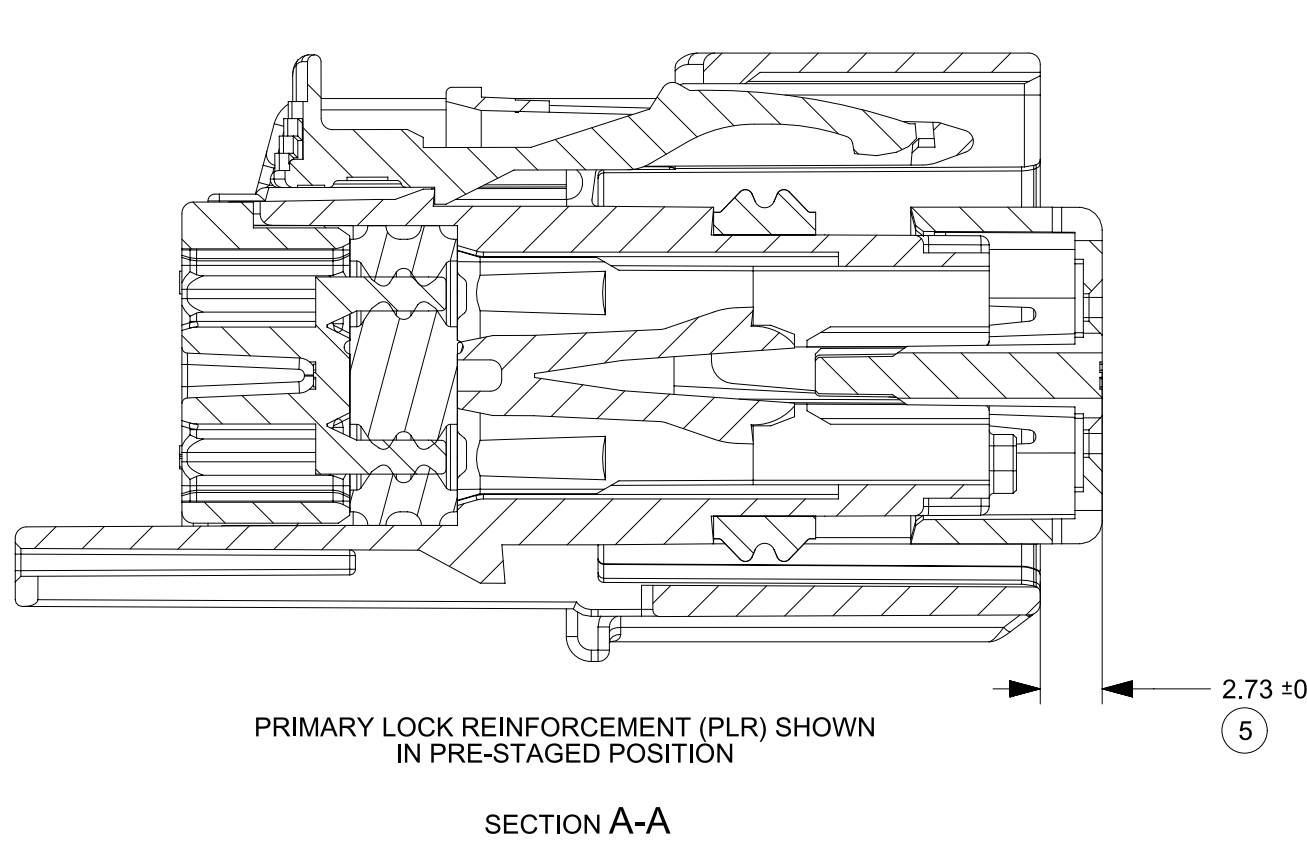
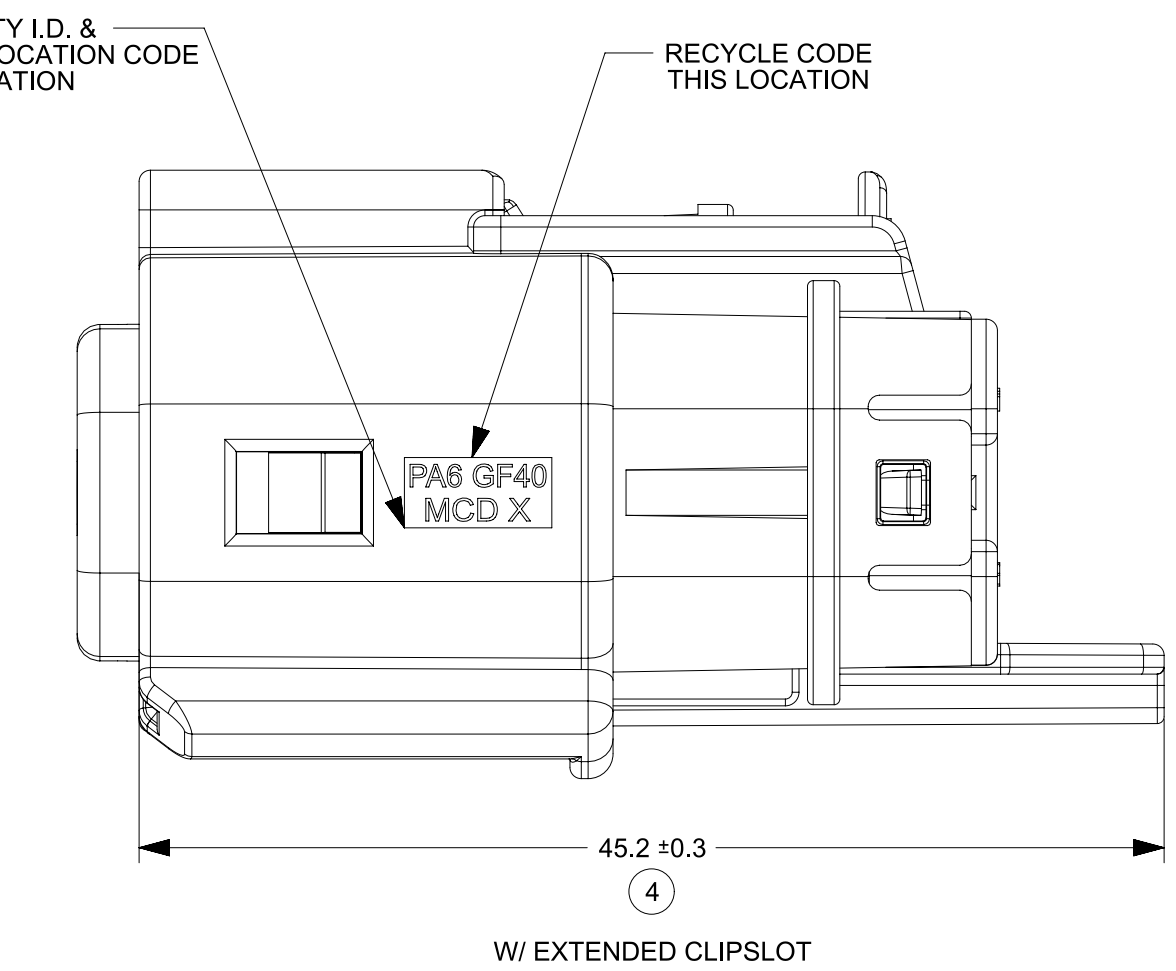
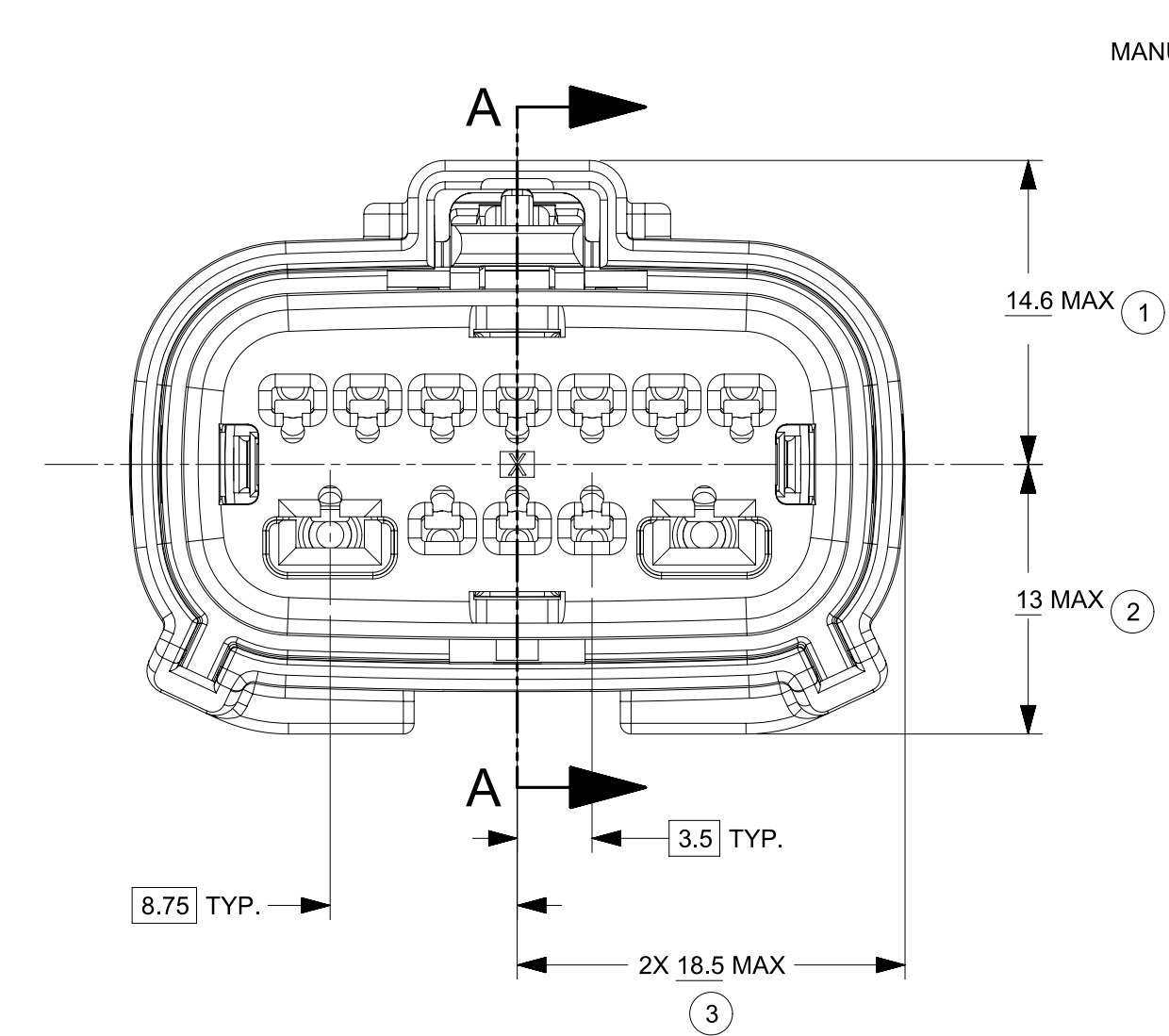
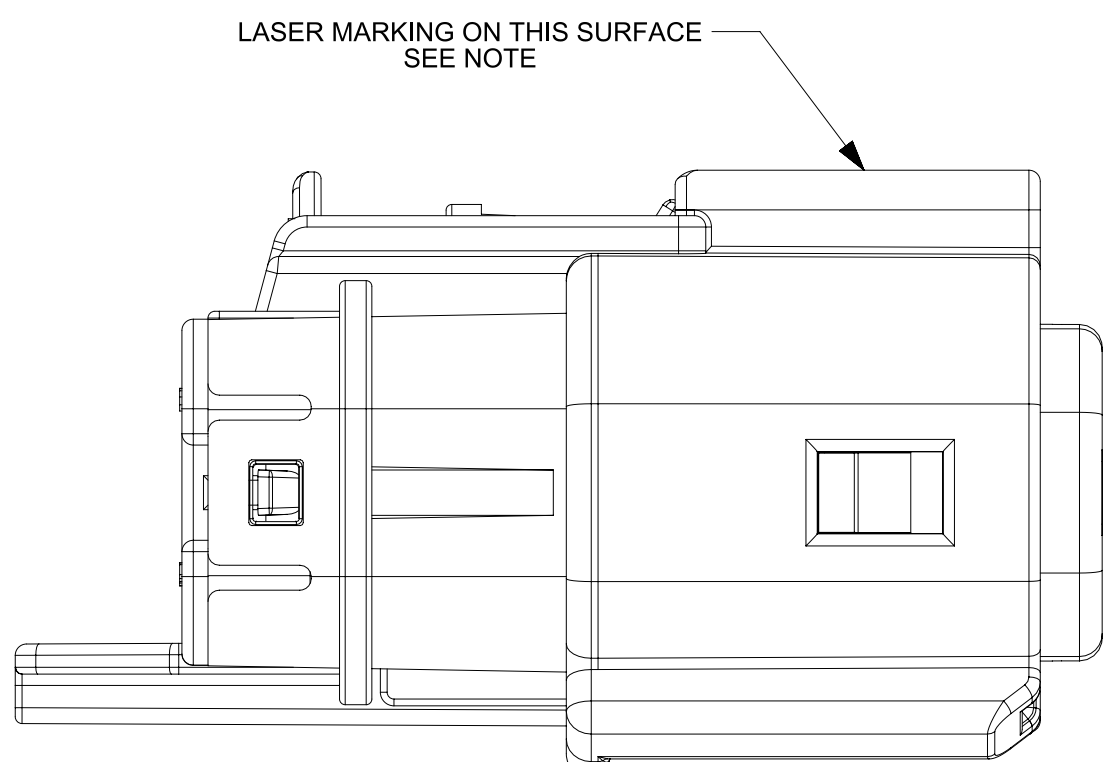
12W HYBRID



FUNCTIONAL SYMBOLS	THIS DRAWING CONTAINS INFORMATION THAT IS PROPRIETARY TO MOLEX ELECTRONIC TECHNOLOGIES, LLC AND SHOULD NOT BE USED WITHOUT WRITTEN PERMISSION		CURRENT REV DESC: SEE REVISION TABLE					
	DIMENSION UNITS	SCALE						
$\nabla_A = 0$	mm	3:1	GENERAL TOLERANCES (UNLESS SPECIFIED)		PHASE: Design Production CO NO: CO-00000522 DRWN: Srikanth CV 2022-02-16 CHK'D: Chaitra D 2022-02-17 APPR: Gurunandan GA 2022-02-17			
$\nabla_C = 0$	ANGULAR TOL $\pm 0.5^\circ$							
$\nabla_D = 0$	4 PLACES ± 0.0000		INITIAL REVISION:		DOCUMENT NUMBER 1601110000			
DIVISIONAL SYMBOLS	3 PLACES ± 0.0000							2022-02-17
	2 PLACES ± 0.0000		2022-02-17		1601110000	PSD	000	D6
	1 PLACE ± 0.00		2022-02-16		MATERIAL NUMBER	CUSTOMER		SHEET NUMBER
	0 PLACES ± 0.00		2022-02-17		160111	CHARTED		3 OF 7
DRAFT WHERE APPLICABLE MUST REMAIN WITHIN DIMENSIONS			THIRD ANGLE PROJECTION	DRAWING	SERIES	CUSTOMER		SHEET NUMBER
				D-SIZE	160111			3 OF 7

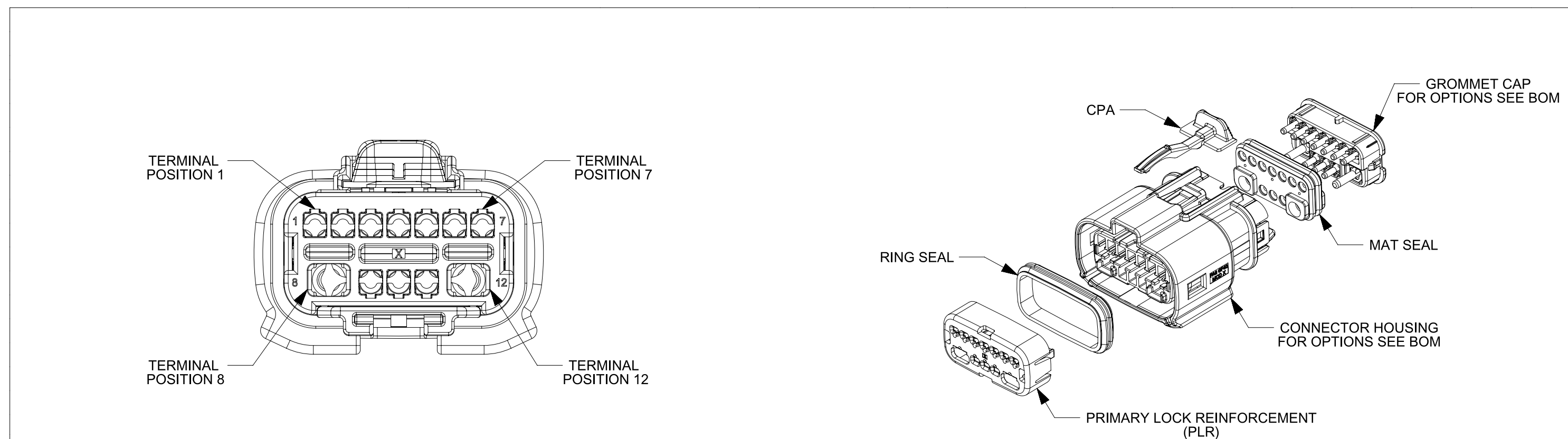
SEE NOTES

SHEET DESCRIPTION
RECEPTACLE CONNECTOR ASSEMBLY



FUNCTIONAL SYMBOLS	THIS DRAWING CONTAINS INFORMATION THAT IS PROPRIETARY TO MOLEX ELECTRONIC TECHNOLOGIES, LLC AND SHOULD NOT BE USED WITHOUT WRITTEN PERMISSION		CURRENT REV DESC: SEE REVISION TABLE		molex
	FA = 0	mm	SCALE	4:1	
DIVISIONAL SYMBOLS	GENERAL TOLERANCES (UNLESS SPECIFIED)		PHASE: Design Production		PRODUCT SALES DRAWING
	FC = 0	ANGULAR TOL ± 0.5°	CO NO: CO-00000522		
SEE NOTES	FP = 0	4 PLACES ± 0.0000	DRWN: Srikanth CV 2022-02-16		DOCUMENT NUMBER
	3 PLACES ± 0.0000	CHK'D: Chaitra D 2022-02-17		1601110000	
	2 PLACES ± 0.000	APPR: Gurunandan GA 2022-02-17			PSD 000 D6
	1 PLACE ± 0.00	INITIAL REVISION:		REVISION	
0 PLACES ± 0.00	DRWN: Srikanth CV 2022-02-16		MATERIAL NUMBER		
DRAFT WHERE APPLICABLE MUST REMAIN WITHIN DIMENSIONS		APPR: Gurunandan GA 2022-02-17		CUSTOMER	
THIRD ANGLE PROJECTION		DRAWING			SHEET NUMBER
D-SIZE		SERIES		4 OF 7	
160111		CHARTED			

SHEET DESCRIPTION
12W HYBRID CONNECTOR BOM



ABBREVIATION	DESCRIPTION	COLOR	MATERIAL
A-BLK-ECLIP	HOUSING KEYING OPTION A W/ EXTENDED CLIP	BLACK	PA6 GF40
B-LG-ECLIP	HOUSING KEYING OPTION B W/ EXTENDED CLIP	LIGHT GRAY	PA6 GF40
C-DG-ECLIP	HOUSING KEYING OPTION C W/ EXTENDED CLIP	DARK GRAY	PA6 GF40
D-SG-ECLIP	HOUSING KEYING OPTION D W/ EXTENDED CLIP	STONE GRAY	PA6 GF40
A-Y-ECLIP	HOUSING KEYING OPTION A W/ EXTENDED CLIP	YELLOW	PA6 GF40
A-BLK	HOUSING KEYING OPTION A NON CLIPSLOT	BLACK	PA6 GF40
B-LG	HOUSING KEYING OPTION B NON CLIPSLOT	LIGHT GRAY	PA6 GF40
C-DG	HOUSING KEYING OPTION C NON CLIPSLOT	DARK GRAY	PA6 GF40
D-SG	HOUSING KEYING OPTION D NON CLIPSLOT	STONE GRAY	PA6 GF40
A-Y	HOUSING KEYING OPTION A NON CLIPSLOT	YELLOW	PA6 GF40
GCP-ECLIP	GROMMET CAP (PLUGGED) EXTENDED CLIPSLOT	BLACK	PA6 GF40
GCP	GROMMET CAP (PLUGGED) NON CLIPSLOT	BLACK	PA6 GF40
PLR	PLR	NATURAL	PA6 GF40
CPA	CPA	RED	PBT GF20
M	MAT SEAL	LIGHT BLUE	INHERENTLY LUBRICATED SILICONE
R	RING SEAL	RUST RED	INHERENTLY LUBRICATED SILICONE

ASSEMBLY DESCRIPTION	ASSEMBLY PART NUMBER	COMPONENT							BLOCKED TERMINALS												STATUS	COMMENTS	OPTIONAL ATTACHMENTS SOLD SEPERATELY			
		THE PRESENCE OF AN ABBREVIATION INDICATES THE PRESENCE OF THAT COMPONENT.							CAVITY WITH A NUMBER INDICATES BLOCKED TERMINAL POSITION CAVITY WITHOUT A NUMBER INDICATES OPEN TERMINAL POSITION														BACKSHELL WITH RIBS	BACKSHELL WITHOUT RIBS		
		HOUSING KEY/COLOR	GROMMET CAP	PLR	CPA	MAT SEAL	RING SEAL	1	2	3	4	5	6	7	8	9	10	11	12							
KEY A, BLACK, W/O CPA	160111-6001	A-BLK	GCP	PLR		M	R													SALEABLE						
KEY B, LIGHT GRAY, W/O CPA	160111-6002	B-LG	GCP	PLR		M	R													SALEABLE						
KEY C, DARK GRAY, W/O CPA	160111-6003	C-DG	GCP	PLR		M	R													SALEABLE						
KEY D, STONE GRAY, W/O CPA	160111-6004	D-SG	GCP	PLR		M	R													SALEABLE						
KEY A, YELLOW, W/O CPA	160111-6005	A-Y	GCP	PLR		M	R													OK TO TOOL						
KEY A, BLACK, W/ CPA	160111-6006	A-BLK	GCP	PLR	CPA	M	R													SALEABLE						
KEY B, LIGHT GRAY, W/ CPA	160111-6007	B-LG	GCP	PLR	CPA	M	R													SALEABLE						
KEY C, DARK GRAY, W/ CPA	160111-6008	C-DG	GCP	PLR	CPA	M	R													SALEABLE						
KEY D, STONE GRAY, W/ CPA	160111-6009	D-SG	GCP	PLR	CPA	M	R													SALEABLE						
KEY A, YELLOW, W/ CPA	160111-6010	A-Y	GCP	PLR	CPA	M	R													OK TO TOOL						
KEY A, BLACK, W/O CPA, W/ EX. CLIPSLOT	160111-6011	A-BLK-ECLIP	GCP-ECLIP	PLR		M	R													SALEABLE						
KEY B, LIGHT GRAY, W/O CPA, W/ EX. CLIPSLOT	160111-6012	B-LG-ECLIP	GCP-ECLIP	PLR		M	R													SALEABLE						
KEY C, DARK GRAY, W/O CPA, W/ EX. CLIPSLOT	160111-6013	C-DG-ECLIP	GCP-ECLIP	PLR		M	R													SALEABLE						
KEY D, STONE GRAY, W/O CPA, W/ EX. CLIPSLOT	160111-6014	D-SG-ECLIP	GCP-ECLIP	PLR		M	R													SALEABLE						
KEY A, YELLOW, W/O CPA, W/ EX. CLIPSLOT	160111-6015	A-Y-ECLIP	GCP-ECLIP	PLR		M	R													OK TO TOOL						
KEY A, BLACK, W/ CPA, W/ EX. CLIPSLOT	160111-6016	A-BLK-ECLIP	GCP-ECLIP	PLR	CPA	M	R													SALEABLE						
KEY B, LIGHT GRAY, W/ CPA, W/ EX. CLIPSLOT	160111-6017	B-LG-ECLIP	GCP-ECLIP	PLR	CPA	M	R													SALEABLE						
KEY C, DARK GRAY, W/ CPA, W/ EX. CLIPSLOT	160111-6018	C-DG-ECLIP	GCP-ECLIP	PLR	CPA	M	R													SALEABLE						
KEY D, STONE GRAY, W/ CPA, W/ EX. CLIPSLOT	160111-6019	D-SG-ECLIP	GCP-ECLIP	PLR	CPA	M	R													SALEABLE						
KEY A, YELLOW, W/ CPA, W/ EX. CLIPSLOT	160111-6020	A-Y-ECLIP	GCP-ECLIP	PLR	CPA	M	R													OK TO TOOL						
KEY A, BLACK, W/ CPA, W/ EX. CLIPSLOT	160111-6021	A-BLK-ECLIP	GCP-ECLIP	PLR	CPA	M	R					3	4	5	6	7			9	10	11	SALEABLE				
KEY A, BLACK, W/ CPA, W/ EX. CLIPSLOT	160111-6022	A-BLK-ECLIP	GCP-ECLIP	PLR	CPA	M	R	1	2	3	4	5	6	7	8					10		SALEABLE				
KEY A, BLACK, W/ CPA, W/ EX. CLIPSLOT	160111-6023	A-BLK-ECLIP	GCP-ECLIP	PLR	CPA	M	R	1			4	5	6	7	8							SALEABLE				
KEY A, BLACK, W/ CPA, W/ EX. CLIPSLOT	160111-6024	A-BLK-ECLIP	GCP-ECLIP	PLR	CPA	M	R	1	2	3	4	5								8	10	SALEABLE				
KEY A, BLACK, W/ CPA, W/ EX. CLIPSLOT	160111-6025	A-BLK-ECLIP	GCP-ECLIP	PLR	CPA	M	R	1			4	5								8		SALEABLE				
KEY A, BLACK, W/ CPA, W/ EX. CLIPSLOT	160111-6026	A-BLK-ECLIP	GCP-ECLIP	PLR	CPA	M	R	1	2	3											10	SALEABLE				
KEY A, BLACK, W/ CPA, W/ EX. CLIPSLOT	160111-6027	A-BLK-ECLIP	GCP-ECLIP	PLR	CPA	M	R	1														SALEABLE				
KEY A, BLACK, W/ CPA, W/ EX. CLIPSLOT	160111-6028	A-BLK-ECLIP	GCP-ECLIP	PLR	CPA	M	R		2	3	4	5	6	7	8						10	SALEABLE				
KEY A, BLACK, W/ CPA, W/ EX. CLIPSLOT	160111-6029	A-BLK-ECLIP	GCP-ECLIP	PLR	CPA	M	R				4	5	6	7	8							SALEABLE				
KEY A, BLACK, W/ CPA, W/ EX. CLIPSLOT	160111-6030	A-BLK-ECLIP	GCP-ECLIP	PLR	CPA	M	R		2	3	4	5								8	10	SALEABLE				
KEY A, BLACK, W/ CPA, W/ EX. CLIPSLOT	160111-6031	A-BLK-ECLIP	GCP-ECLIP	PLR	CPA	M	R				4	5									8	SALEABLE				
KEY A, BLACK, W/ CPA, W/ EX. CLIPSLOT	160111-6032	A-BLK-ECLIP	GCP-ECLIP	PLR	CPA	M	R			2	3										10	SALEABLE				
KEY A, BLACK, W/ CPA, W/ EX. CLIPSLOT	160111-6033	A-BLK-ECLIP	GCP-ECLIP	PLR	CPA	M	R	1	2	3	4	5	6	7	8						10	SALEABLE				
KEY A, BLACK, W/ CPA, W/ EX. CLIPSLOT	160111-6034	A-BLK-ECLIP	GCP-ECLIP	PLR	CPA	M	R									7	8	9	10	11	12	SALEABLE				
KEY A, BLACK, W/ CPA, W/ EX. CLIPSLOT	160111-6035	A-BLK-ECLIP	GCP-ECLIP	PLR	CPA	M	R										8				10	11	12	SALEABLE		
KEY A, BLACK, W/ CPA, W/ EX. CLIPSLOT	160111-6036	A-BLK-ECLIP	GCP-ECLIP	PLR	CPA	M	R	1	2	3	4	5	6	7						9		12	SALEABLE			
KEY A, BLACK, W/ CPA, W/ EX. CLIPSLOT	160111-6037	A-BLK-ECLIP	GCP-ECLIP	PLR	CPA	M	R									7						12	SALEABLE			
KEY A, BLACK, W/ CPA, W/ EX. CLIPSLOT	160111-6038	A-BLK-ECLIP	GCP-ECLIP	PLR	CPA	M	R															12	SALEABLE			
KEY A, BLACK, W/ CPA	160111-6039	A-BLK	GCP	PLR	CPA	M	R				3					7				9	10	11	SALEABLE			
KEY A, BLACK, W/ CPA	160111-6040	A-BLK	GCP	PLR	CPA	M	R									7				9	10		SALEABLE			
KEY A, BLACK, W/ CPA	160111-6041	A-BLK	GCP	PLR	CPA	M	R					4	5	6	7					9	10		SALEABLE			
KEY A, BLACK, W/ CPA	160111-6042	A-BLK	GCP	PLR	CPA	M	R				3	4	5	6	7					9	10	11	SALEABLE			
KEY A, BLACK, W/ CPA	160111-6043	A-BLK	GCP	PLR	CPA	M	R	1	2	3						7	8	9	10	11	12	SALEABLE				
KEY A, BLACK, W/ CPA	160111-6044	A-BLK	GCP	PLR	CPA	M	R	1	2							7	8	9	10			12	SALEABLE			
KEY A, BLACK, W/ CPA	160111-6045	A-BLK	GCP	PLR	CPA	M	R	1	2			4	5	6	7	8	9	10				12	SALEABLE			

FUNCTIONAL SYMBOLS FA = 0 FC = 0 FD = 0	THIS DRAWING CONTAINS INFORMATION THAT IS PROPRIETARY TO MOLEX ELECTRONIC TECHNOLOGIES, LLC AND SHOULD NOT BE USED WITHOUT WRITTEN PERMISSION		CURRENT REV DESC: SEE REVISION TABLE	
	DIMENSION UNITS mm	SCALE 1:1		
DIVISIONAL SYMBOLS SEE NOTES	GENERAL TOLERANCES (UNLESS SPECIFIED)		PHASE: Design Production	
	ANGULAR TOL ± 0.5°	4 PLACES ± 0.0000	CO NO: CO-00000522	2022-02-16
	3 PLACES ± 0.0000	2 PLACES ± 0.0000	DRWN: Srikanth CV	2022-02-17
	1 PLACE ± 0.00	0 PLACES ± 0.00	CHK'D: Chaitra D	2022-02-17
	DRAFT WHERE APPLICABLE MUST REMAIN WITHIN DIMENSIONS		APPR: Gurunandan GA	2022-02-17
	THIRD ANGLE PROJECTION		INITIAL REVISION:	
	DRAWING		DRWN: Srikanth CV	2022-02-16
	SERIES		APPR: Gurunandan GA	2022-02-17
D-SIZE 160111		MATERIAL NUMBER	CUSTOMER	
		CHARTED	SHEET NUMBER	
			5 OF 7	



MX150 HYBRID MAT SEAL RCPT CONN ASM

PRODUCT SALES DRAWING

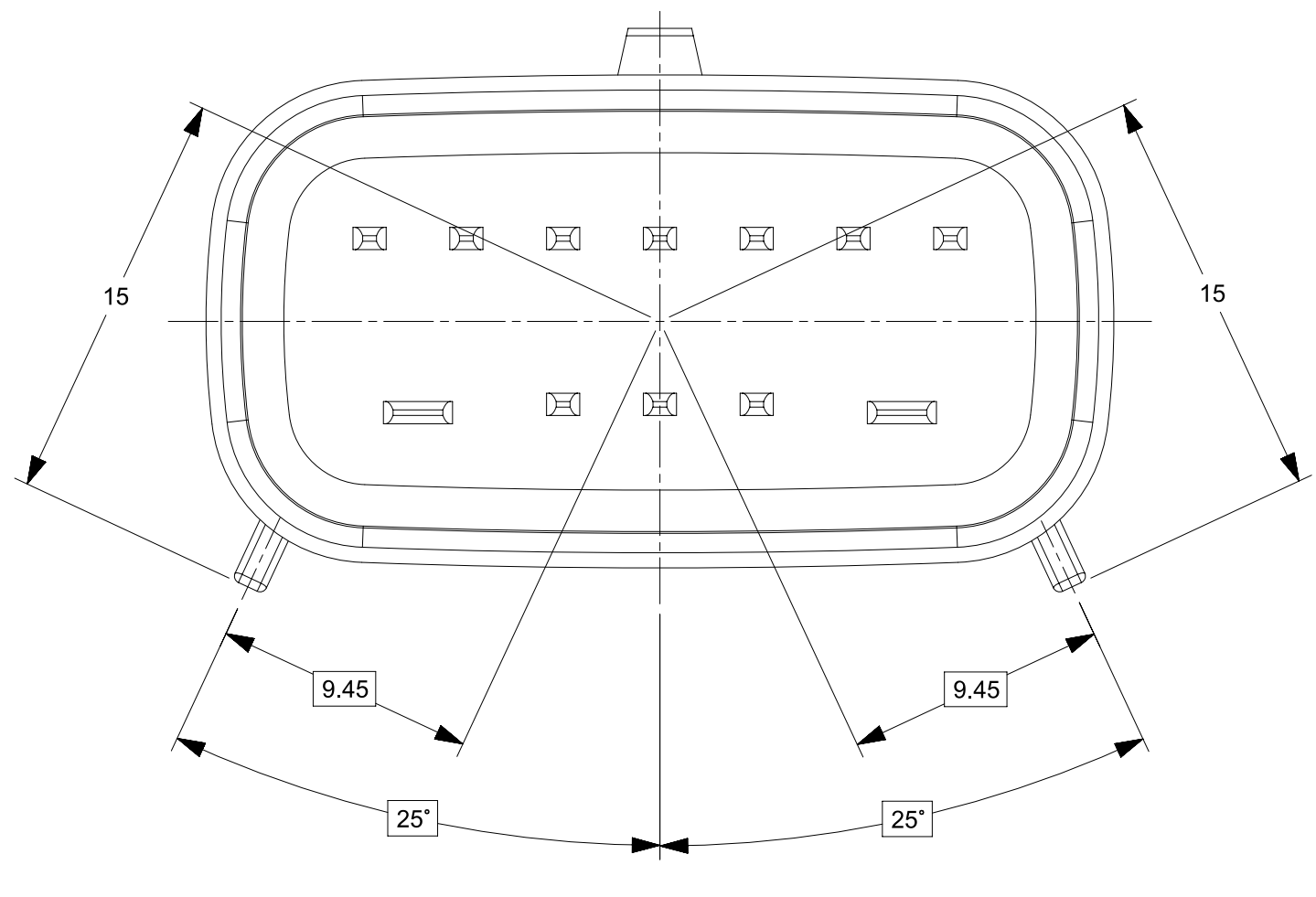
DOCUMENT NUMBER: 1601110000

DOC TYPE: PSD

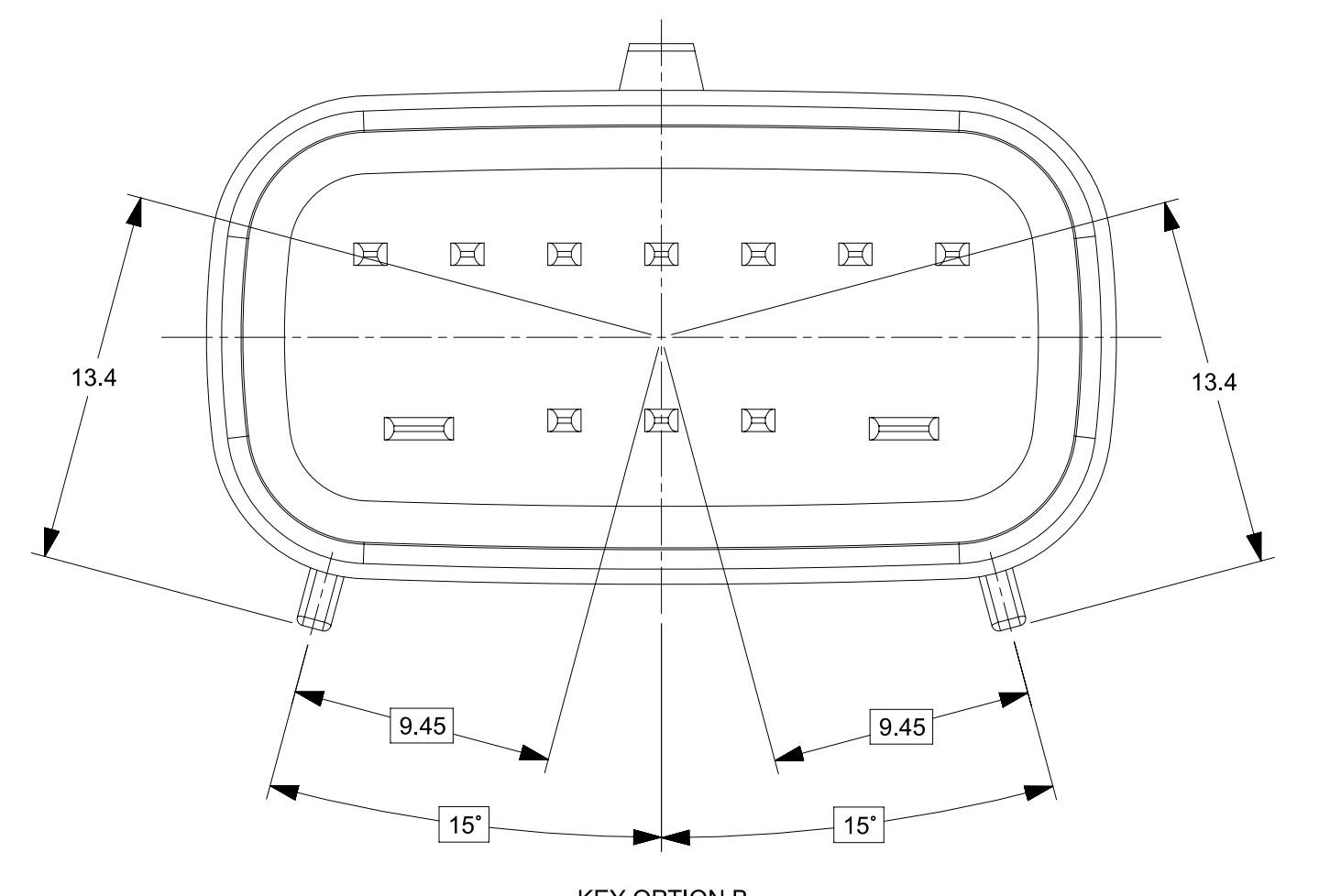
DOC PART: 000

REVISION: D6

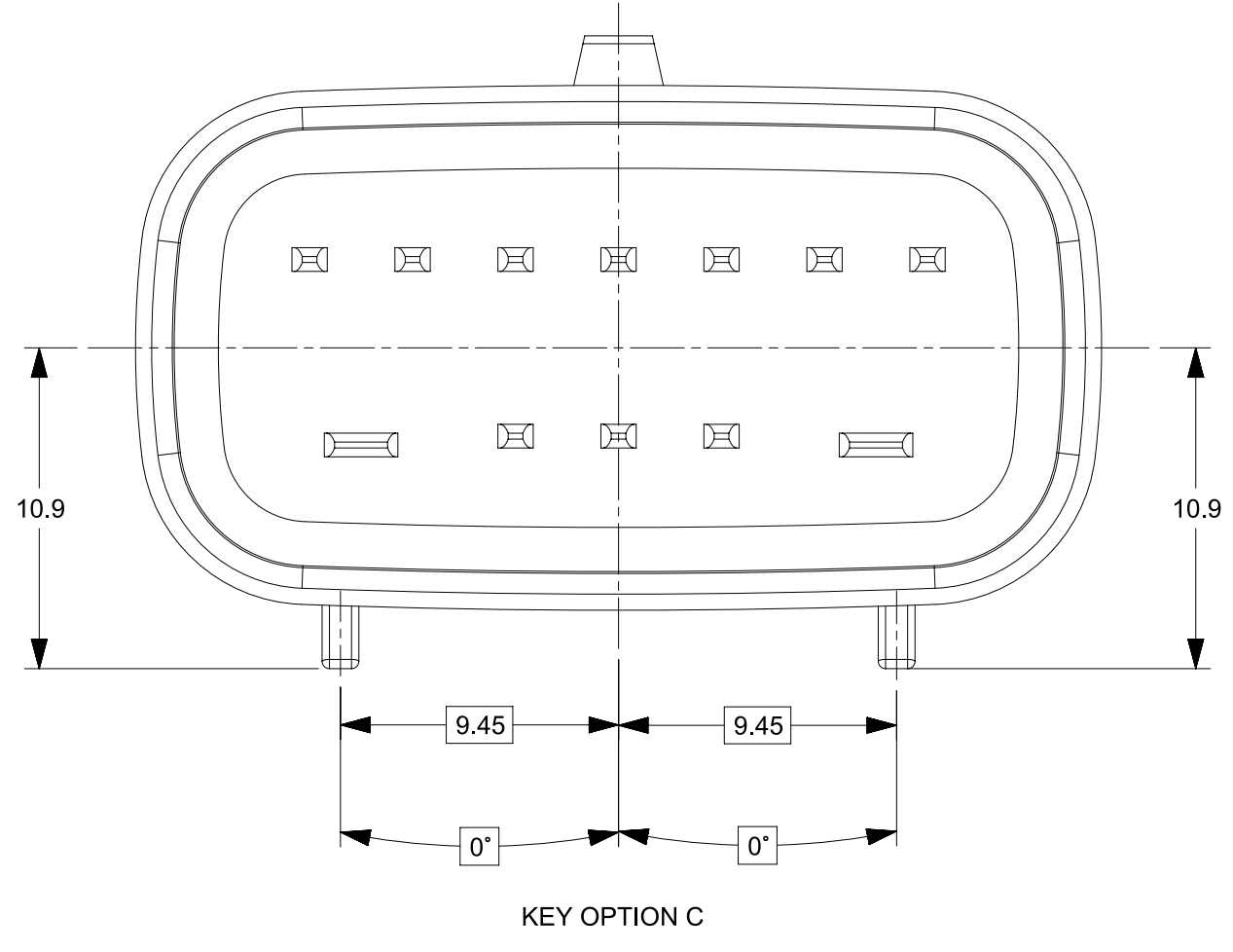
SHEET DESCRIPTION
12W HYBRID INTERFACE DEFINITION



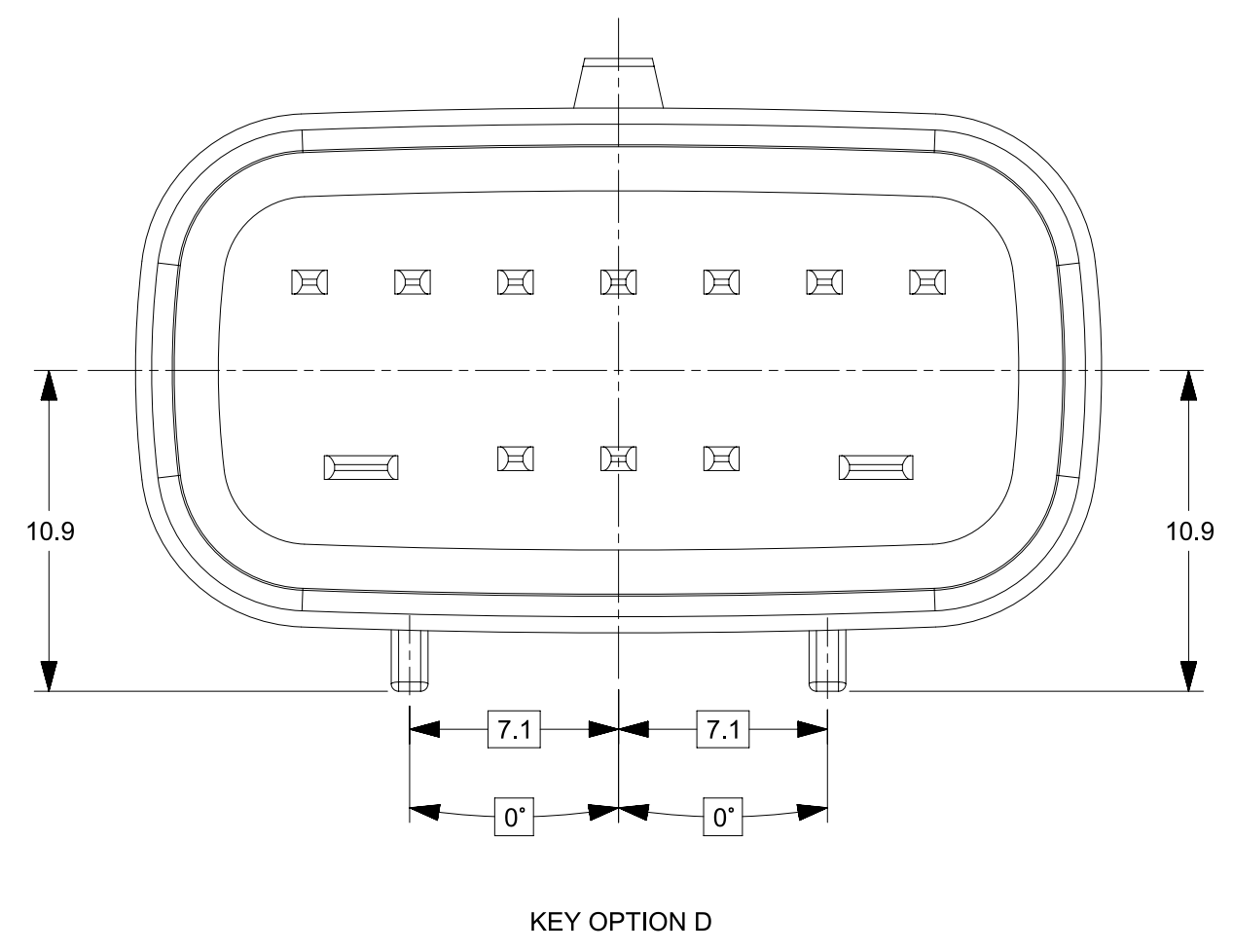
KEY OPTION A



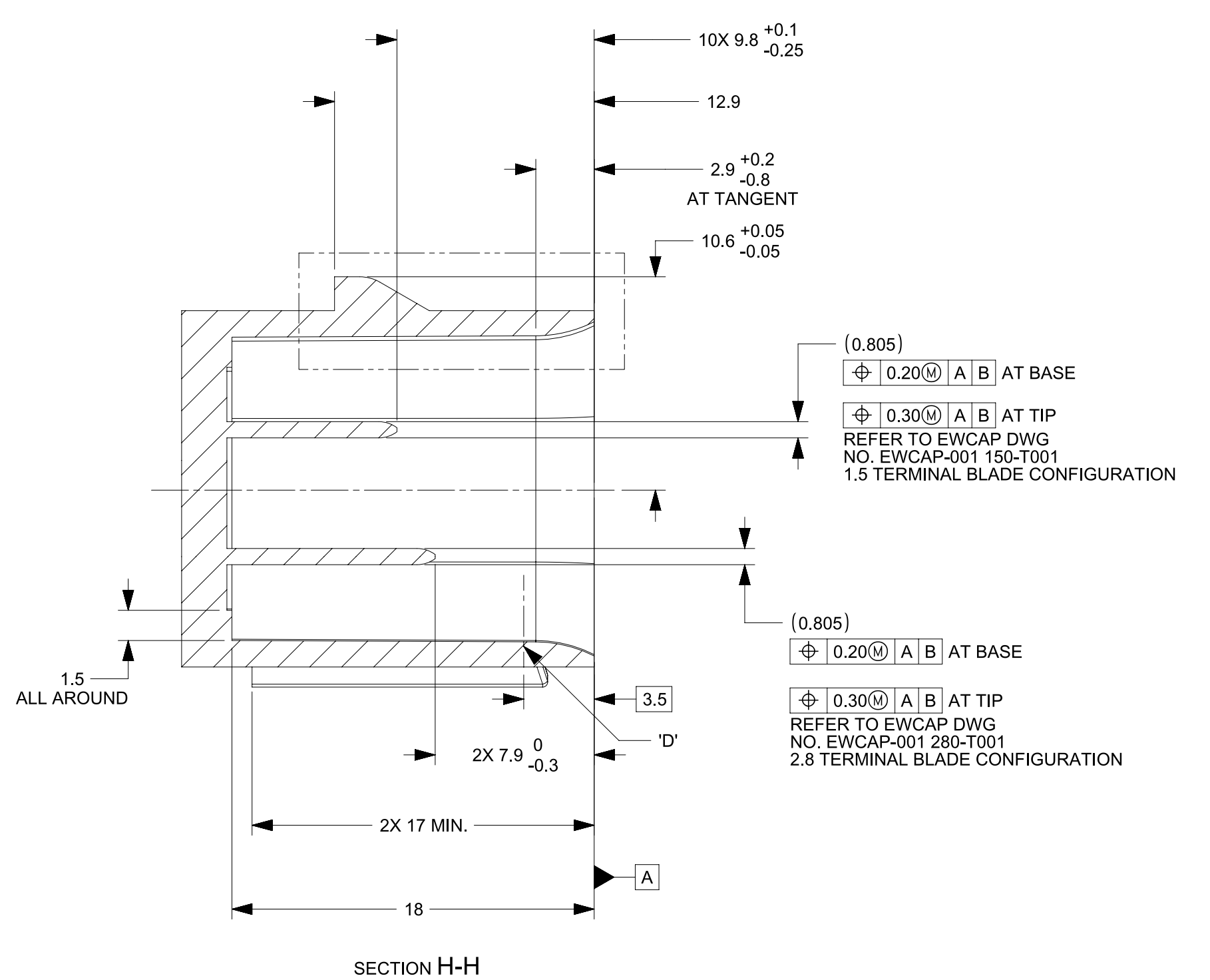
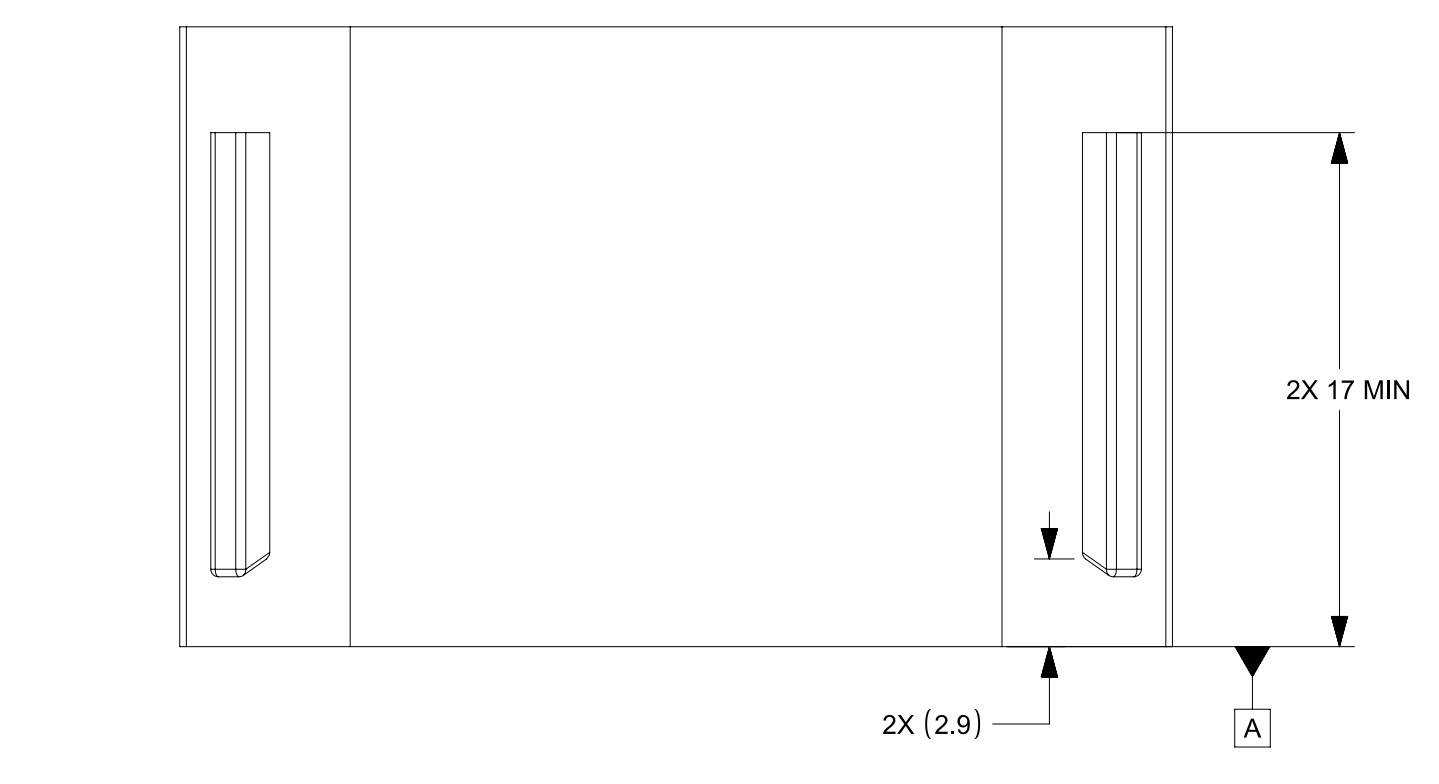
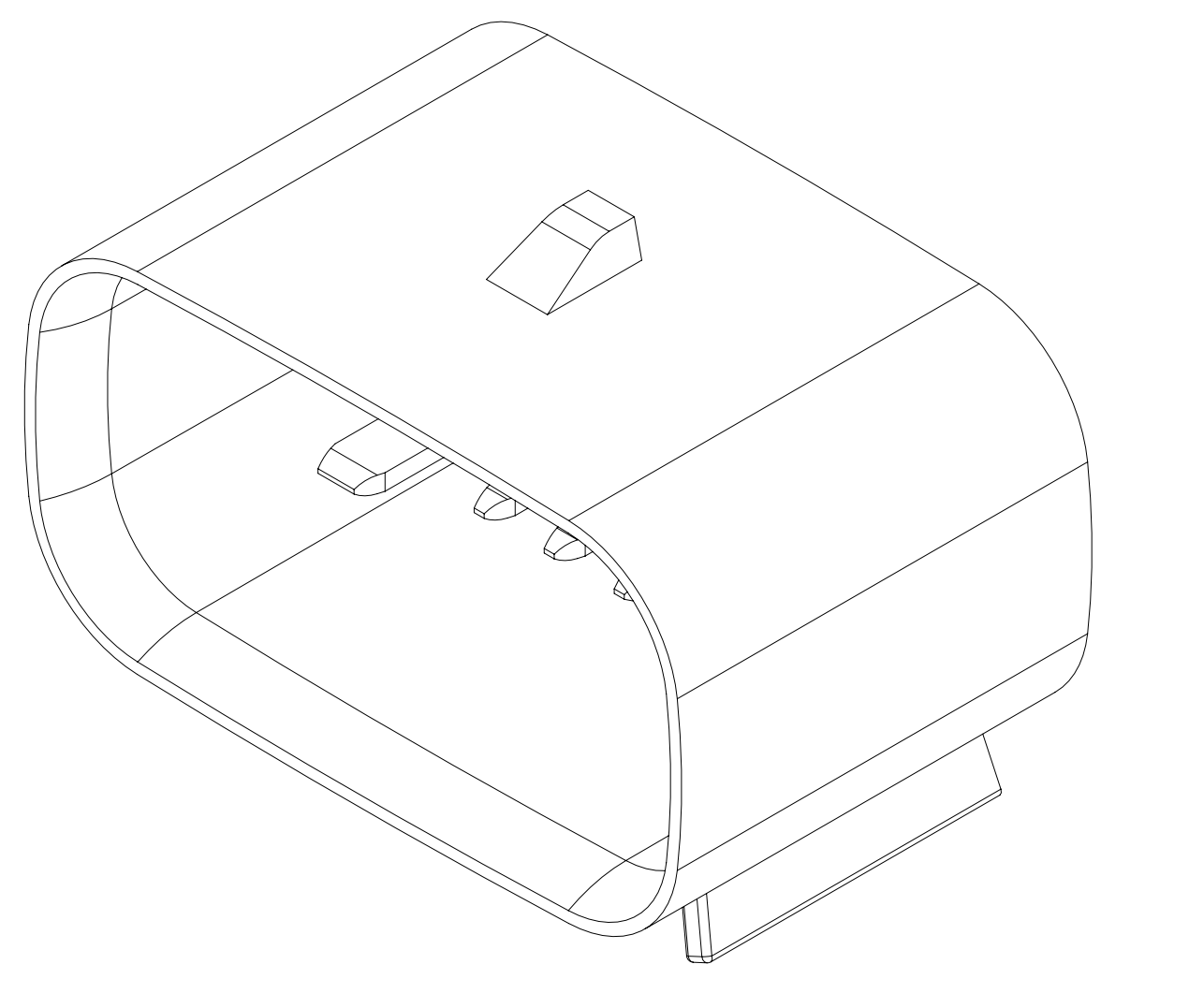
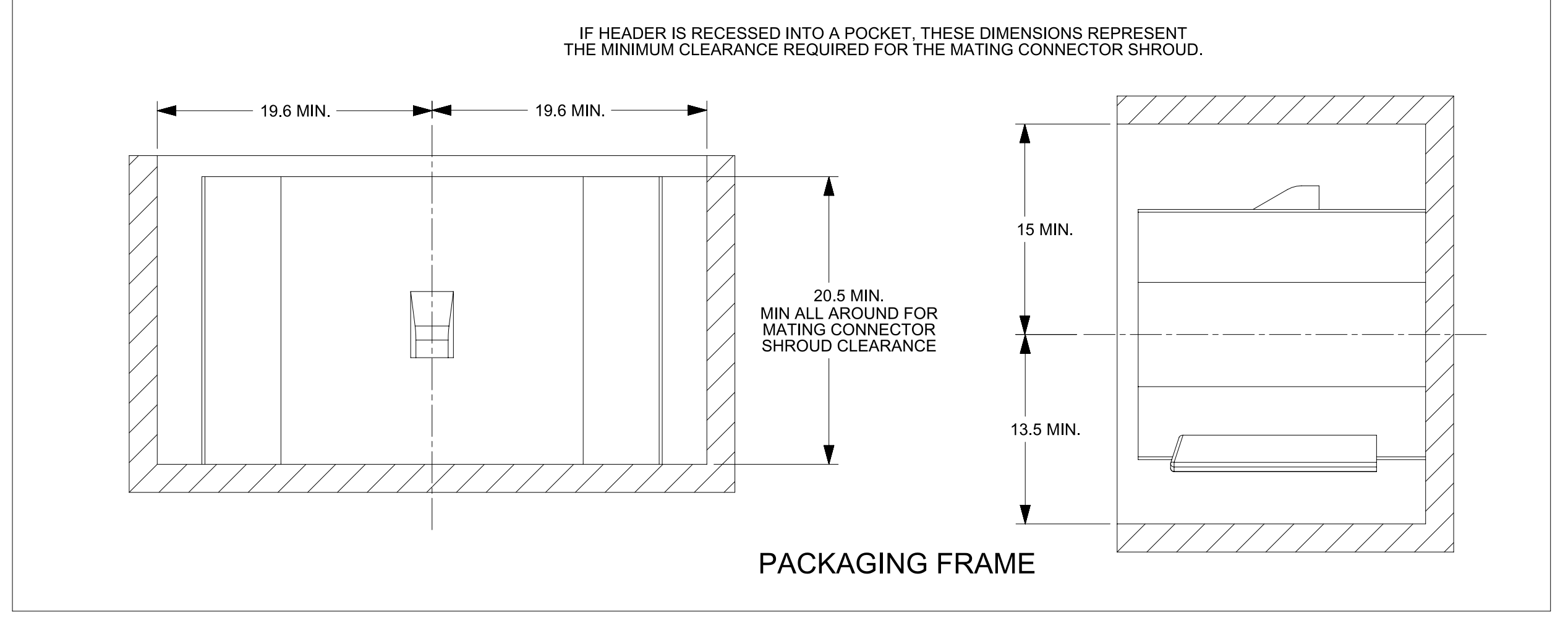
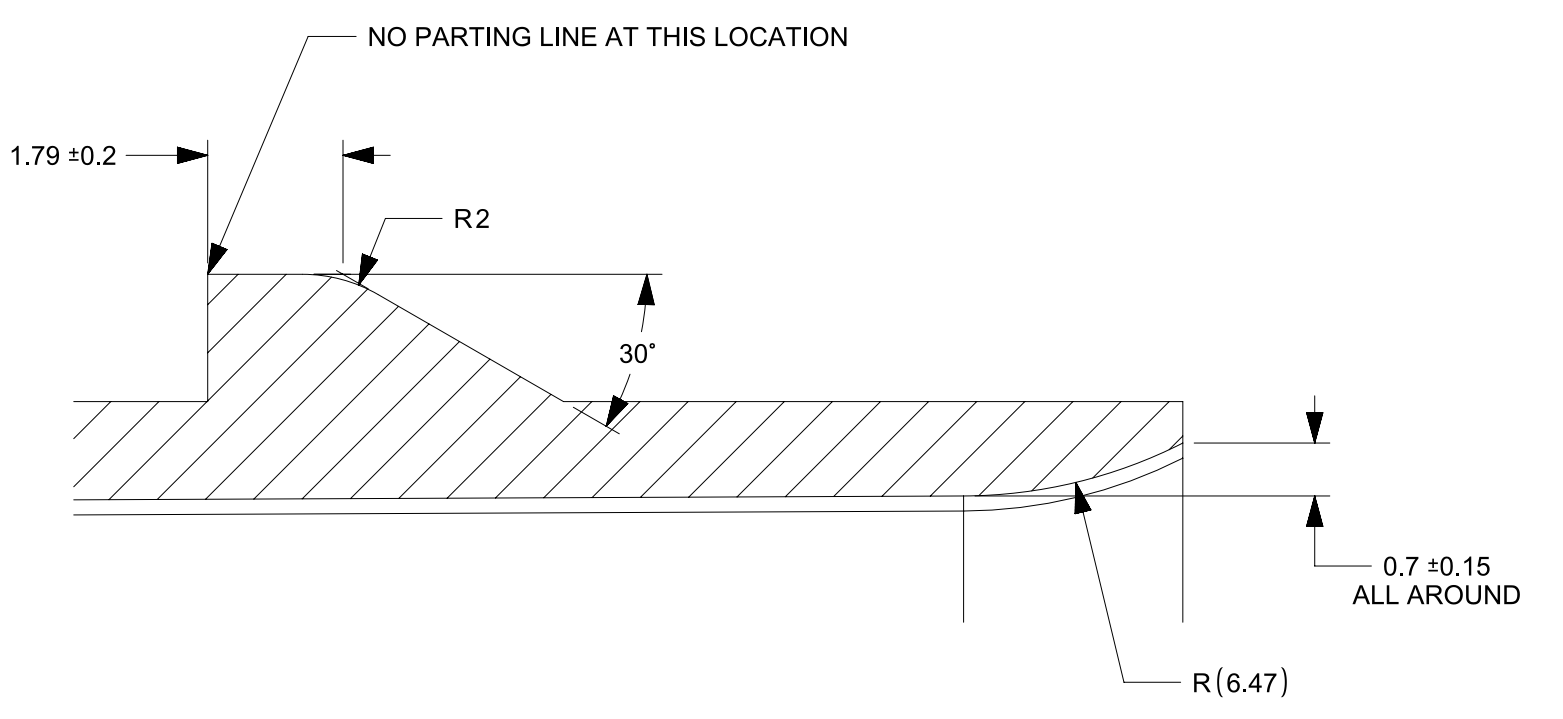
KEY OPTION B



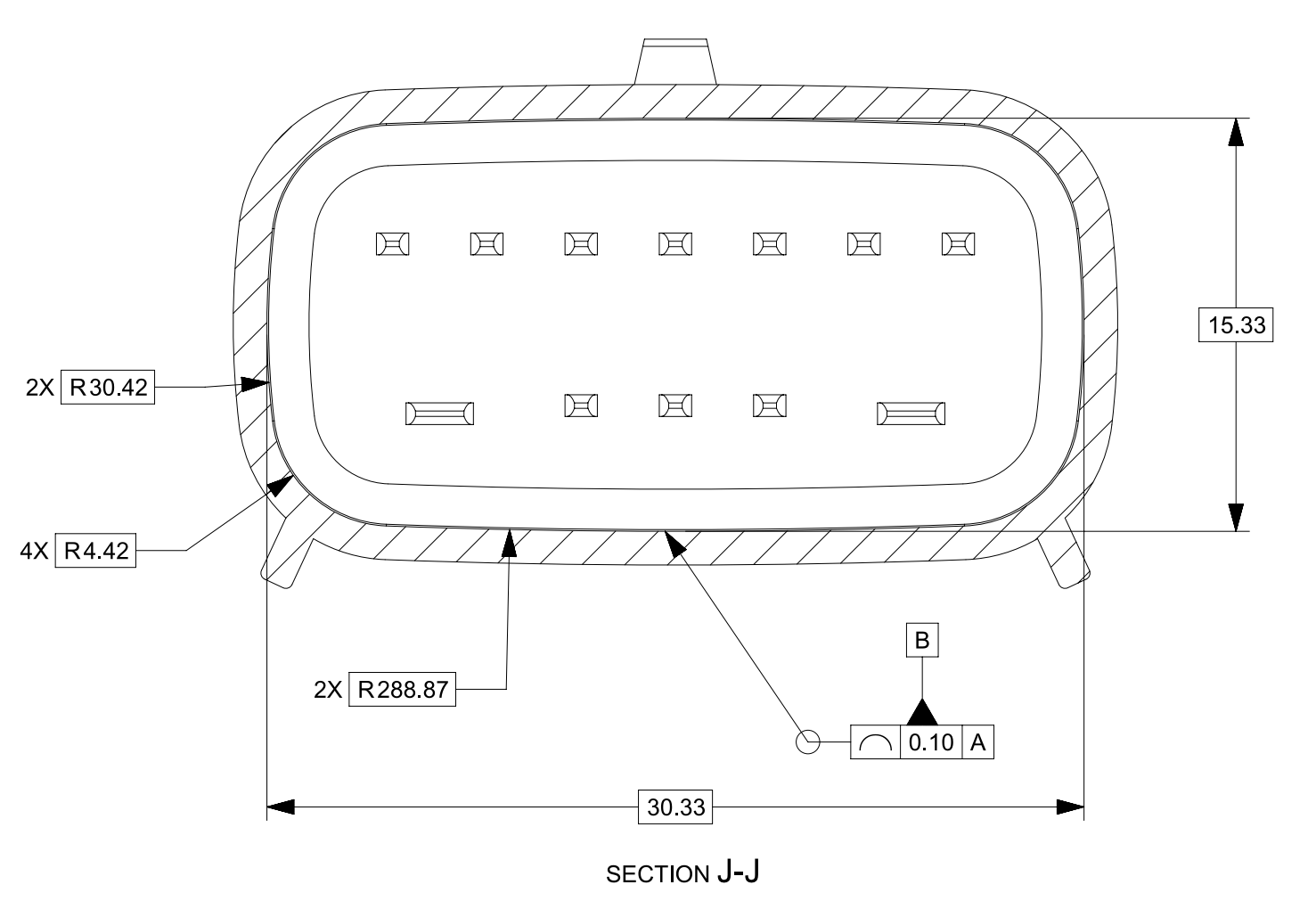
KEY OPTION C



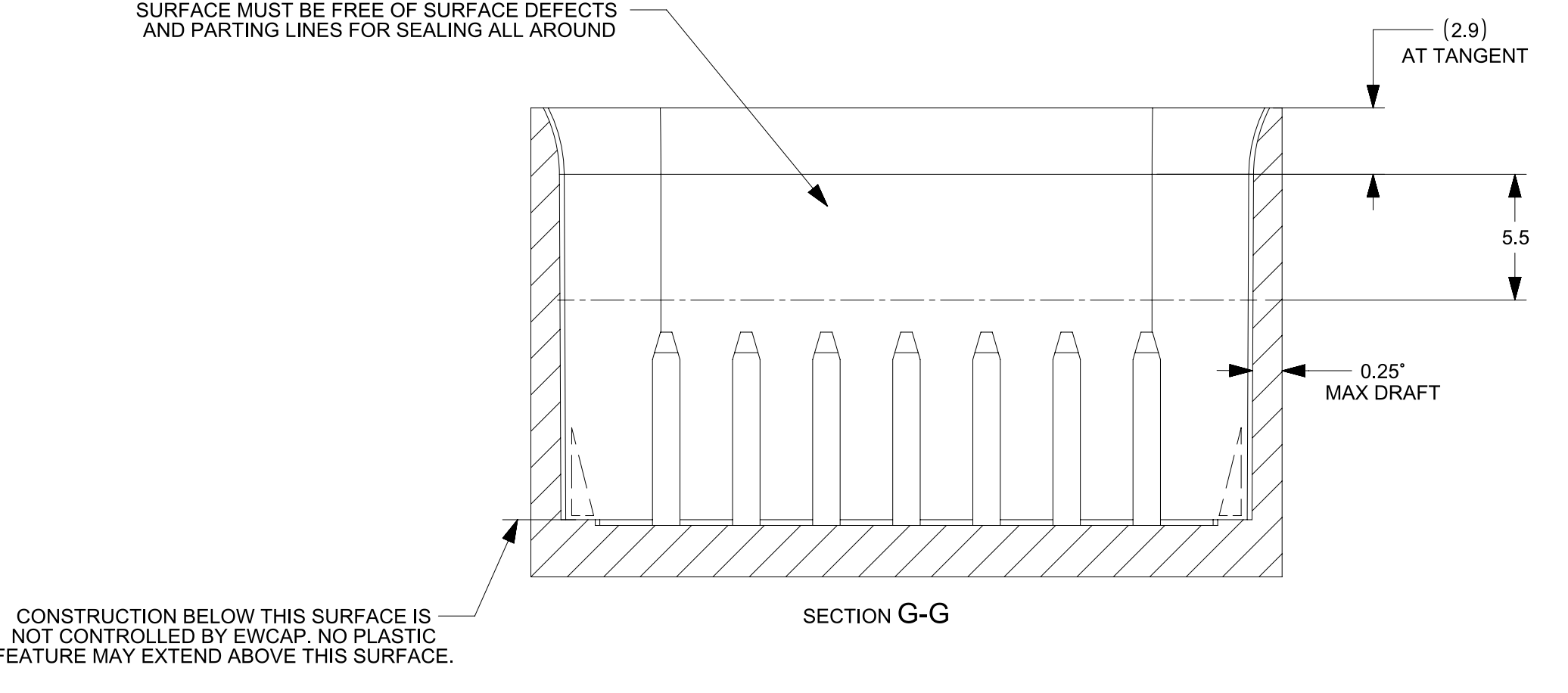
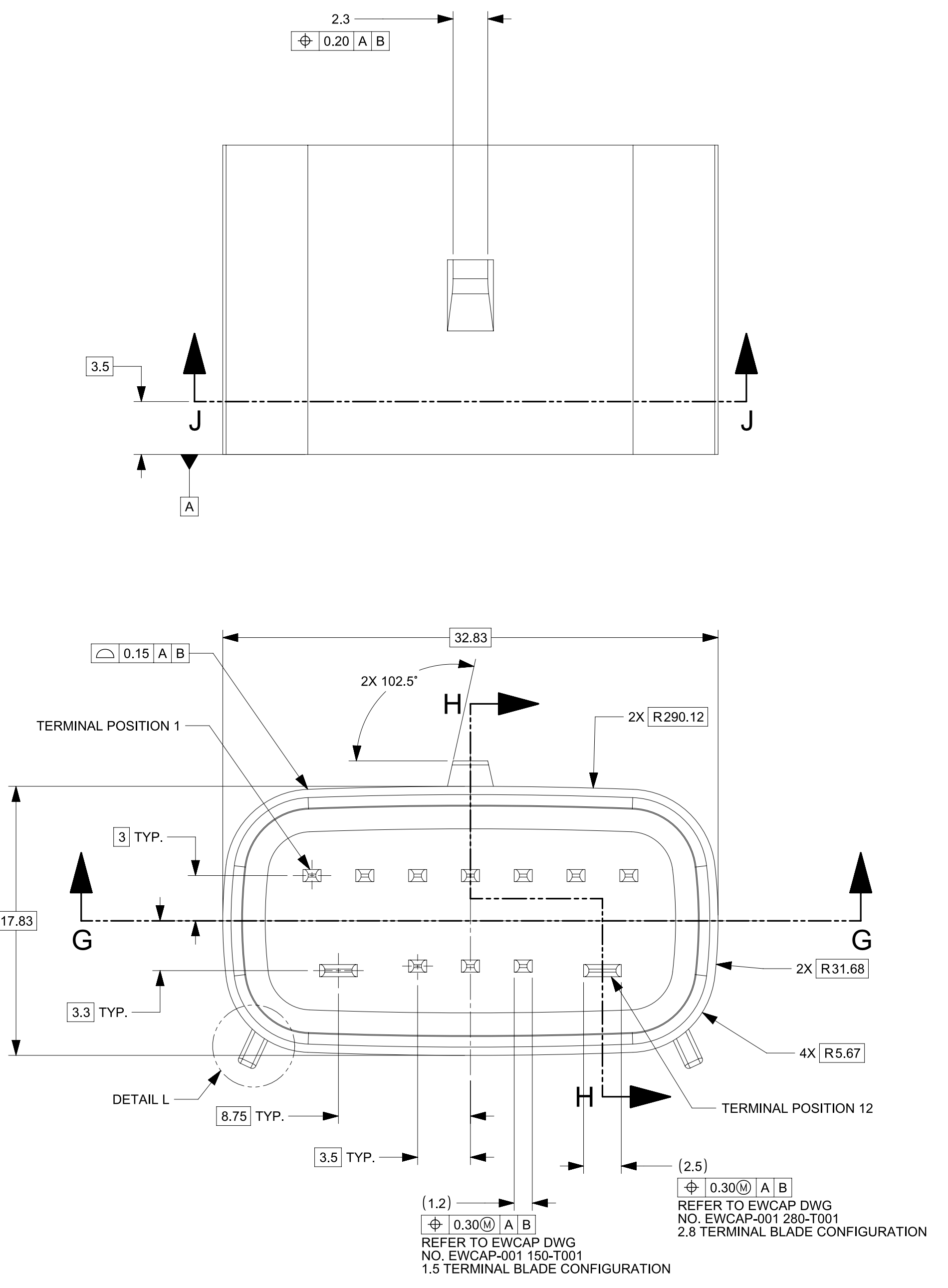
KEY OPTION D



SECTION H-H



SECTION J-J



SECTION G-G

- NOTES: UNLESS OTHERWISE SPECIFIED
- ALL DIMENSIONS SHOWN IN MILLIMETERS.
 - DIMENSIONING AND TOLERANCING PER ASME Y14.5M-1994
 - 0.25 RADII ON ALL CORNERS SHOWN SHARP.
 - UNSPECIFIED RADII: 0.25 EXCEPT AS NOTED.
 - STANDARD COLORS FOR POLARIZATION (SEE CHART). DEVIATION REQUIRES APPROVAL OF AUTHORIZED PERSON.
 - REFER TO "SAE/USCAR 12 CONNECTOR GUIDELINES" FOR ADDITIONAL REQUIREMENTS.
 - EXCEPT WHERE NOTED, DRAFT ON OUTSIDE SURFACES IS PERMISSIBLE WITHIN TOLERANCE.
 - SYMBOL INDICATES DRAFT DIRECTION.
 - FOR TERMINAL MATERIAL, DIMENSIONAL, AND COATING REQUIREMENTS AND ANY BLADE TERMINAL DESIGN INFORMATION NOT SHOWN ON THIS DRAWING SEE EWCAP DRW. NO. EWCAP-001
 - A FULL SHROUD ON THE MATING CONNECTOR IS REQUIRED TO INSURE THAT THE CONNECTOR-HEADER POLARIZATION FEATURES (OPTIONS A THRU D) WILL FUNCTION. THE FULL SHROUD ALSO PREVENT SCOOP DAMAGE TO THE HEADER PINS. REFER TO "SAE/USCAR-12 CONNECTOR DESIGN GUIDE LINES" FOR ADDITIONAL INFORMATION.
 - REFER TO USCAR/EWCAP PART LIST AS FOUND ON WEBSITE <http://www.uscarteams.org>
 - THIS IS 100% CAD GENERATED PART. THE CAD MATHEMATICAL DATA IS THE MASTER FOR THIS PART. FOR DIMENSIONAL OR ANY INFORMATION NOT SHOWN ON THIS DRAWING. ANALYZE THE CAD MODEL

NOTICE

THIS DRAWING OR PORTIONS OF IT, ARE CONTROLLED BY THE ELECTRICAL WIRING COMPONENTS APPLICATION PARTNERSHIP (EWCAP), A SUBGROUP OF THE UNITED STATES CONSORTIUM FOR AUTOMOTIVE RESEARCH LLC (USCAR). USCAR IS A PARTNERSHIP BETWEEN CHRYSLER GROUP LLC, FORD MOTOR COMPANY, AND GENERAL MOTORS CORPORATION. ANY CHANGE TO A EWCAP CONTROLLED PORTION OF THIS DRAWING, INCLUDING A "RECORD CHANGE" MUST BE APPROVED, IN WRITING, BY THE RESPONSIBLE EWCAP MEMBER FROM EACH USCAR COMPANY. EACH EWCAP MEMBER AUTHORIZED TO SIGN FOR HIS OR HER COMPANY IS RESPONSIBLE FOR OBTAINING ALL NECESSARY APPROVALS WITHIN THAT COMPANY PRIOR TO SIGNING FOR APPROVAL OF THE CHANGE. EWCAP EXPRESSLY PROHIBITS ANY PARTY FROM CHANGING EITHER ANY EWCAP CONTROLLED PORTION OF THIS DRAWING OR ANY ASSOCIATED TOOLING BEFORE RECEIVING AN APPROVAL SIGNED BY AN AUTHORIZED REPRESENTATIVE FROM EACH EWCAP PARTNER. REFERENCE TO THE SIGNED APPROVAL FORM MUST BE ENTERED IN THIS DRAWING'S CONTROL COLUMN.

EWCAP P/N	OPTION	MATING CONNECTOR COLOR
999-S-012-2-D01	D	STONE GRAY
999-S-012-2-C01	C	DARK GRAY
999-S-012-2-B01	B	LIGHT GRAY
999-S-012-2-A01	A	BLACK

CHANGE SERIAL NUMBER	DESCRIPTION	DATE	DWN	CHK
A6	ADDED NOTES AND NOTICE	1/16/17	AD	MV
A	DESIGN RELEASE	4/18/16	AD	MV
LET	REVISION RECORD			

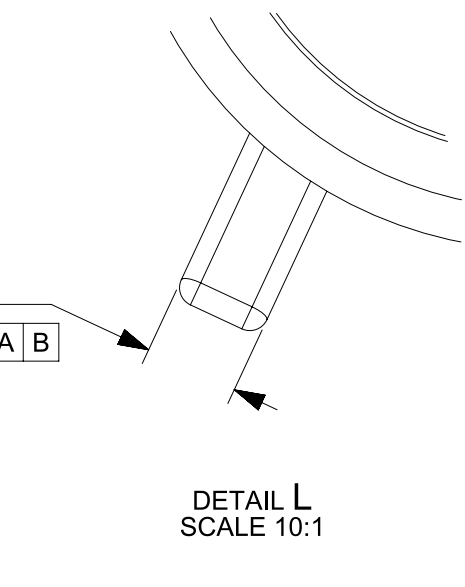
FUNCTIONAL SYMBOLS		THIS DRAWING CONTAINS INFORMATION THAT IS PROPRIETARY TO MOLEX ELECTRONIC TECHNOLOGIES, LLC AND SHOULD NOT BE USED WITHOUT WRITTEN PERMISSION		CURRENT REV DESC: SEE REVISION TABLE	
$\nabla = 0$	DIMENSION UNITS	mm	SCALE	1:1	
$\nabla = 0$	GENERAL TOLERANCES (UNLESS SPECIFIED)		PHASE: Design Production		
$\nabla = 0$	ANGULAR TOL	± 0.5°	CO NO: CO-000000522	2022-02-16	
	4 PLACES	± 0.00000	DRWN: Srikanth CV	2022-02-17	
	3 PLACES	± 0.0000	CHK'D: Chaitra D	2022-02-17	
	2 PLACES	± 0.000	APPR: Gurunandan GA	2022-02-17	
	1 PLACE	± 0.00	INITIAL REVISION:		
	0 PLACES	± 0.00	DRWN: Srikanth CV	2022-02-16	
	DRAFT WHERE APPLICABLE MUST REMAIN WITHIN DIMENSIONS		APPR: Gurunandan GA	2022-02-17	
	THIRD ANGLE PROJECTION	DRAWING	SERIES	MATERIAL NUMBER	CUSTOMER
	E-SIZE	160111		1601110000	PSD 000 D6
	SHEET NUMBER		7 OF 7		

molex

MX150 HYBRID MAT SEAL RCPT CONN ASM

PRODUCT SALES DRAWING

DOCUMENT NUMBER: 1601110000 | DOC TYPE: PSD | DOC PART: 000 | REVISION: D6



DETAIL L
SCALE 10:1

SHEET DESCRIPTION
12W HYBRID CONNECTOR BOM

ASSEMBLY DESCRIPTION	ASSEMBLY PART NUMBER	COMPONENT						BLOCKED TERMINALS												STATUS	COMMENTS	OPTIONAL ATTACHMENTS SOLD SEPERATELY			
		THE PRESENCE OF AN ABBREVIATION INDICATES THE PRESENCE OF THAT COMPONENT.						CAVITY WITH A NUMBER INDICATES BLOCKED TERMINAL POSITION CAVITY WITHOUT A NUMBER INDICATES OPEN TERMINAL POSITION														BACKSHELL WITH RIBS	BACKSHELL WITHOUT RIBS		
		HOUSING KEY/COLOR	GROMMET CAP	PLR	CPA	MAT SEAL	RING SEAL	1	2	3	4	5	6	7	8	9	10	11	12						
KEY A, BLACK, W/ CPA, W/ EX. CLIPSLOT	160111-6046	A-BLK-ECLIP	GCP-ECLIP	PLR	CPA	M	R	1	2	3				7									SALEABLE		
KEY A, BLACK, W/ CPA, W/ EX. CLIPSLOT	160111-6047	A-BLK-ECLIP	GCP-ECLIP	PLR	CPA	M	R		2			4	5	6									SALEABLE		
KEY A, BLACK, W/ CPA, W/ EX. CLIPSLOT	160111-6048	A-BLK-ECLIP	GCP-ECLIP	PLR	CPA	M	R	1	2	3	4	5	6	7									SALEABLE		
KEY A, BLACK, W/ CPA, W/ EX. CLIPSLOT	160111-6049	A-BLK-ECLIP	GCP-ECLIP	PLR	CPA	M	R	1	2	3	4	5	6	7							11		SALEABLE		
KEY A, BLACK, W/ CPA, W/ EX. CLIPSLOT	160111-6050	A-BLK-ECLIP	GCP-ECLIP	PLR	CPA	M	R								9	10							SALEABLE		
KEY A, BLACK, W/ CPA, W/ EX. CLIPSLOT	160111-6051	A-BLK-ECLIP	GCP-ECLIP	PLR	CPA	M	R	1			3	4	5	6	7								SALEABLE		
KEY A, BLACK, W/ CPA, W/ EX. CLIPSLOT	160111-6052	A-BLK-ECLIP	GCP-ECLIP	PLR	CPA	M	R				4	5	6										SALEABLE		
KEY A, BLACK, W/ CPA, W/ EX. CLIPSLOT	160111-6053	A-BLK-ECLIP	GCP-ECLIP	PLR	CPA	M	R	1			3				7								SALEABLE		
KEY A, BLACK, W/ CPA	160111-6054	A-BLK	GCP	PLR	CPA	M	R					5		7							11	12	SALEABLE		
KEY A, BLACK, W/ CPA	160111-6055	A-BLK	GCP	PLR	CPA	M	R	1	2					7								12	SALEABLE		
KEY A, BLACK, W/ CPA	160111-6056	A-BLK	GCP	PLR	CPA	M	R							7								12	SALEABLE		
KEY A, BLACK, W/ CPA	160111-6057	A-BLK	GCP	PLR	CPA	M	R	1	2			5		7							11	12	SALEABLE		
KEY A, BLACK, W/ CPA, W/ EX. CLIPSLOT	160111-6058	A-BLK-ECLIP	GCP-ECLIP	PLR	CPA	M	R	1	2	3				7							11		SALEABLE		
KEY A, BLACK, W/O CPA, W/ EX. CLIPSLOT	160111-6059	A-BLK-ECLIP	GCP-ECLIP	PLR		M	R	1	2	3	4	5	6	7	8	9	10	11	12				SALEABLE		
KEY A, BLACK, W/O CPA	160111-6060	A-BLK	GCP	PLR		M	R									9	10						SALEABLE		
KEY A, BLACK, W/ CPA, W/ EX. CLIPSLOT	160111-6061	A-BLK-ECLIP	GCP-ECLIP	PLR	CPA	M	R								8								SALEABLE		
KEY A, BLACK, W/ CPA	160111-6062	A-BLK	GCP	PLR	CPA	M	R	1	2		4	5	6	7									SALEABLE		
KEY A, BLACK, W/ CPA	160111-6063	A-BLK	GCP	PLR	CPA	M	R		2	3	4		6	7		9	10						SALEABLE		
KEY A, BLACK, W/ CPA	160111-6064	A-BLK	GCP	PLR	CPA	M	R	1	2			5		7			10	11	12				SALEABLE		
KEY A, BLACK, W/ CPA	160111-6065	A-BLK	GCP	PLR	CPA	M	R	1	2					7			10		12				SALEABLE		
KEY A, BLACK, W/ CPA	160111-6066	A-BLK	GCP	PLR	CPA	M	R		2			5		7			10	11	12				SALEABLE		
KEY A, BLACK, W/ CPA	160111-6067	A-BLK	GCP	PLR	CPA	M	R		2					7			10		12				SALEABLE		
KEY A, BLACK, W/ CPA, W/ EX. CLIPSLOT	160111-6068	A-BLK-ECLIP	GCP-ECLIP	PLR	CPA	M	R				3	4	5	6							11		SALEABLE		
KEY A, BLACK, W/ CPA, W/ EX. CLIPSLOT	160111-6069	A-BLK-ECLIP	GCP-ECLIP	PLR	CPA	M	R				3	4	5	6	7	8	9	10	11	12			SALEABLE		

D6
D6

FUNCTIONAL SYMBOLS		THIS DRAWING CONTAINS INFORMATION THAT IS PROPRIETARY TO MOLEX ELECTRONIC TECHNOLOGIES, LLC AND SHOULD NOT BE USED WITHOUT WRITTEN PERMISSION		CURRENT REV DESC: SEE REVISION TABLE	
$\frac{F}{A} = 0$	DIMENSION UNITS	SCALE			
$\frac{F}{C} = 0$	mm	1:1			
$\frac{F}{P} = 0$	GENERAL TOLERANCES (UNLESS SPECIFIED)		PHASE: Design Production		
	ANGULAR TOL $\pm 0.5^\circ$		CO NO: CO-00000522		
	4 PLACES	± 0.0000	DRWN: Srikanth CV 2022-02-16		
	3 PLACES	± 0.0000	CHK'D: Chaitra D 2022-02-17		
	2 PLACES	± 0.000	APPR: Gurunandan GA 2022-02-17		
	1 PLACE	± 0.00	INITIAL REVISION:		
	0 PLACES	± 0.00	DRWN: Srikanth CV 2022-02-16		
			APPR: Gurunandan GA 2022-02-17		
DIVISIONAL SYMBOLS		DRAFT WHERE APPLICABLE MUST REMAIN WITHIN DIMENSIONS		THIRD ANGLE PROJECTION	DRAWING
					D-SIZE
				SERIES	MATERIAL NUMBER
				160111	1601110000
				CUSTOMER	REVISION
				CHARTED	PSD 000 D6
				SHEET NUMBER	6 OF 7

SEE NOTES



MX150 HYBRID MAT SEAL RCPT CONN ASM
PRODUCT SALES DRAWING
DOCUMENT NUMBER: 1601110000
DOC TYPE: PSD
DOC PART: 000
REVISION: D6
SHEET NUMBER: 6 OF 7