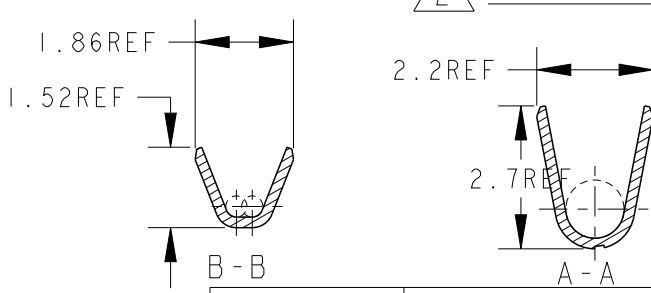
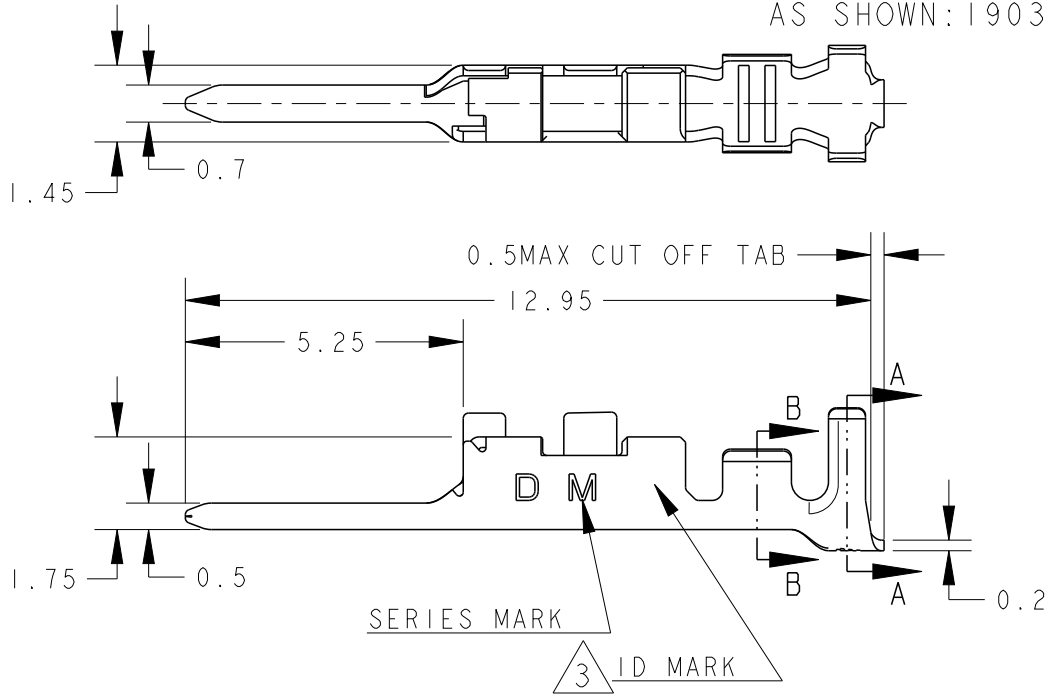


REVISIONS					
P	LTR	DESCRIPTION	DATE	DWN	APVD
	C	REVISED PER ECR-19-016494	24OCT2019	F.Z	R.B
	D	REVISED PER ECR-22-142637	16JUN2022	RI	TS

AS SHOWN: 1903116-2



1. THE SHAPE, SIZE AND POSITION OF THE CHARACTER SHOW THE OUTLINE. THEY DON'T SHOW DETAILS.
 2. ALTERNATIVE LOGO MARK FOR DIFFERENT DIE.
 3. ALTERNATIVE ID MARK, WITH "■" OR NO MARK.

D M 4	MATERIAL: COPPER ALLOY FINISH: CONTACT AREA Au 0.2umMIN, OVER Ni 1.27umMIN	1903116-4
D M	MATERIAL: COPPER ALLOY FINISH: CONTACT AREA Au 0.38umMIN, OVER Ni 1.27umMIN	1903116-2
SERIES MARK	MATERIAL	PART NO

© 2019 TE Connectivity. All Rights Reserved.

DIMENSIONS:	
mm	
TOLERANCES UNLESS OTHERWISE SPECIFIED:	
± 0.3, ± 3°	
0 PLC	±
1 PLC	±
2 PLC	±
3 PLC	±
4 PLC	±
ANGLES	±

DWN M. MAEBASHI	11 APR 2006
CHK T. KUDO	11 APR 2006
APVD D. MITSUGI	11 APR 2006
PRODUCT SPEC	108-78268
APPLICATION SPEC	114-5377
WEIGHT	0.075 g
CUSTOMER DRAWING	

WIRE RANGE	AWG#28-#22	INSULATION DIA	Ø 1.08~Ø 1.6
mm ²	0.08~0.38		
MATERIAL	SEE TABLE	FINISH	SEE TABLE
TE TE Connectivity			
NAME DYNAMIC D1000 SERIES TAB CONTACT Au, M-TYPE L/P			
SIZE	CAGE CODE	DRAWING NO	RESTRICTED TO
A 4	00779	C-1903116	
SCALE 7:1		SHEET 1 OF 1	REV D