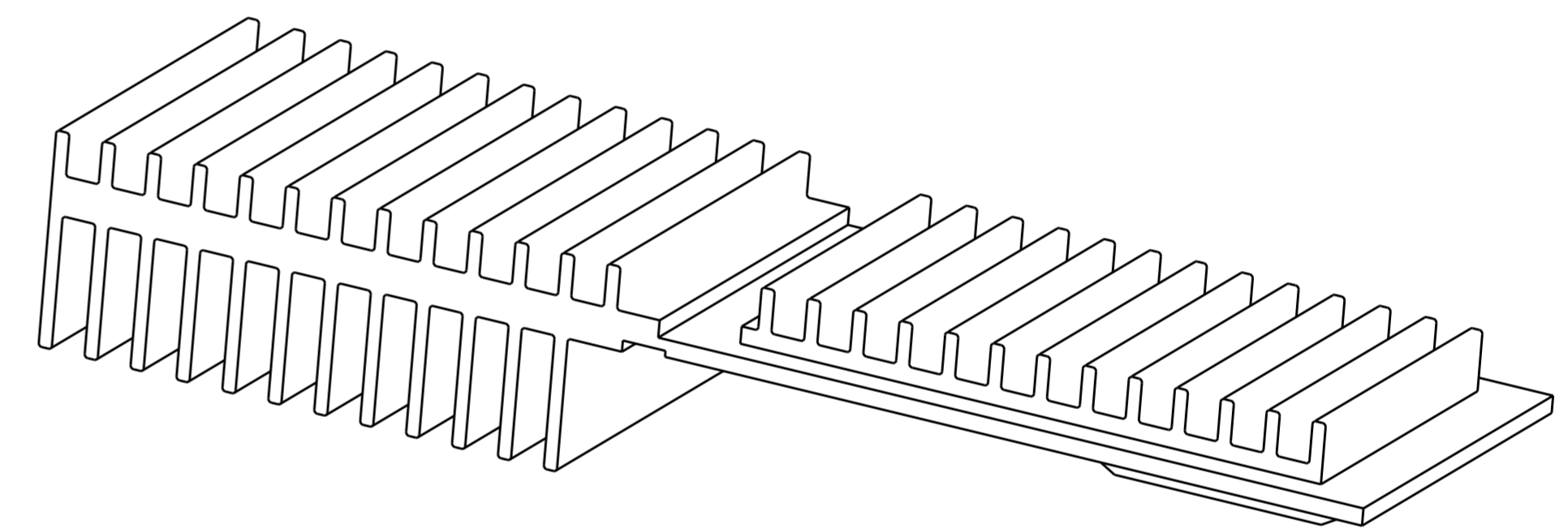
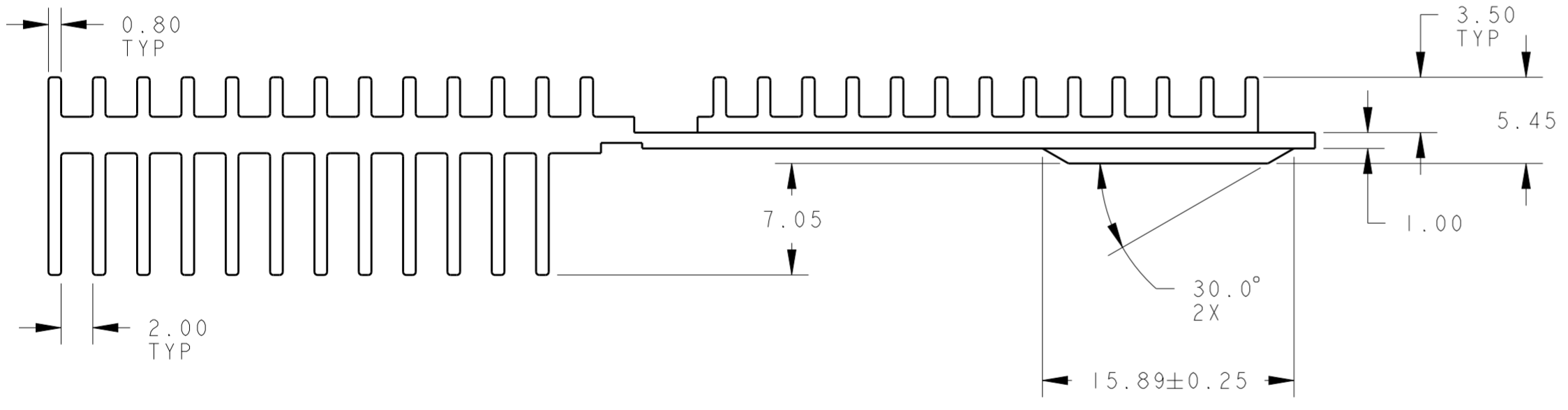
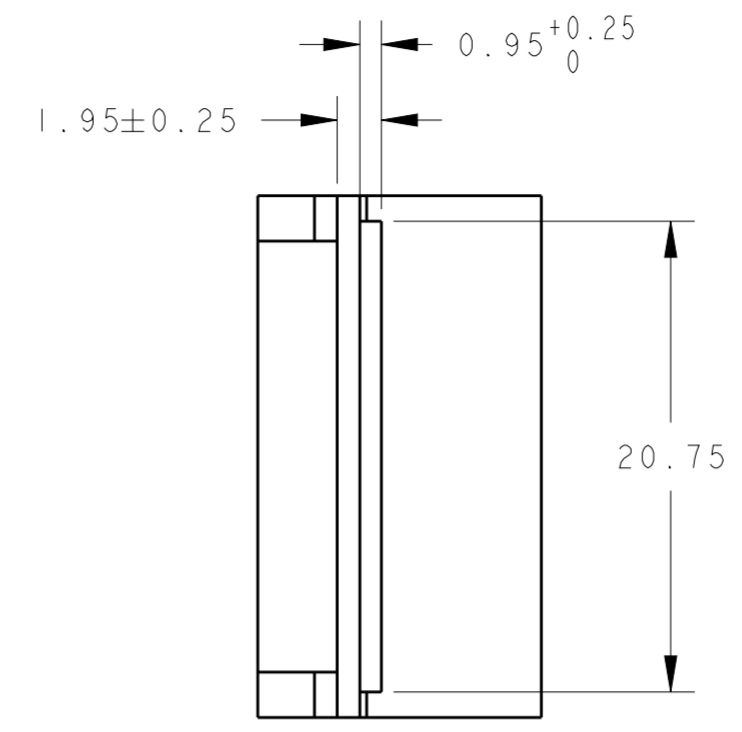
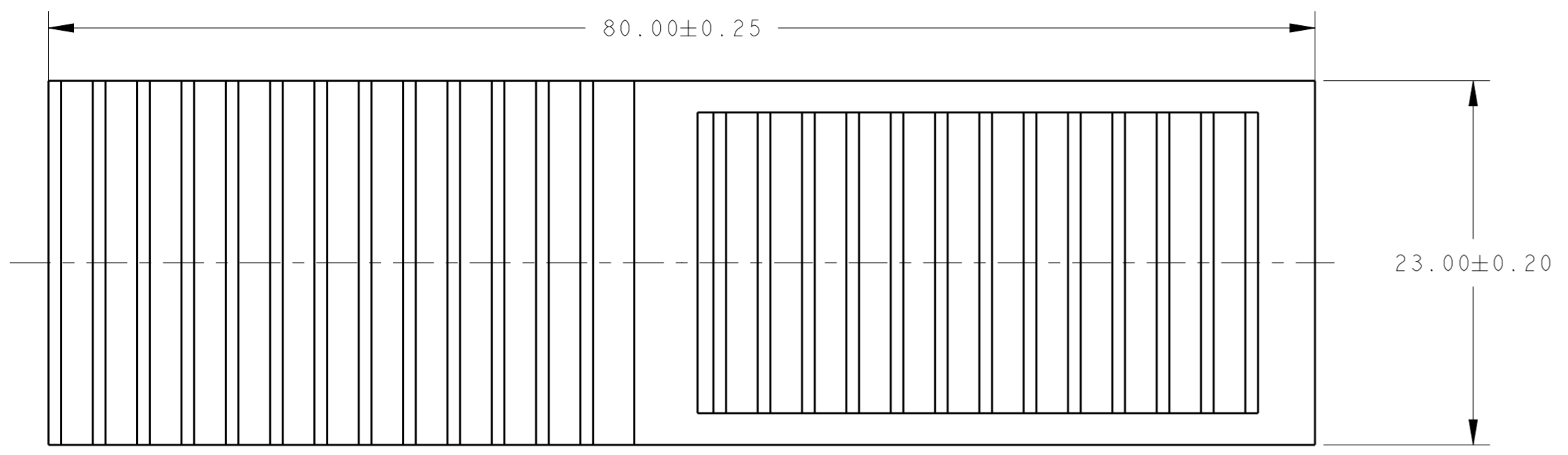


THIS DRAWING IS UNPUBLISHED. RELEASED FOR PUBLICATION 20
 © COPYRIGHT 20 BY - ALL RIGHTS RESERVED.

REVISIONS				
P	LTR	DESCRIPTION	DATE	APVD
1		ORIGINAL	26SEP2013	BM SB
2		SLIGHT IMPROVEMENT	16OCT2018	JY SH



- NOTES:
- UNLESS OTHERWISE SPECIFIED
 - 1. INTERPRET DRAWING PER ASME Y14.5M - 1994.
 - 2. 0,2mm MAX BURR.
 - 3. VARIATION IN PLATING COLOR IS NORMAL AND ALLOWED.
 - 4. RoHS COMPLIANT AND CERTIFIED.

PRELIMINARY PART- NOT RELEASED FOR PRODUCTION

NICKEL PLATED	ALUMIMUM	2274303-3
FINISH	MATERIAL	PART NUMBER

THIS DRAWING IS A CONTROLLED DOCUMENT.		DWN 26SEP2013 B. MATTHEWS	TE Connectivity	
DIMENSIONS: mm		CHK 26SEP2013 S. BOLASH		
TOLERANCES UNLESS OTHERWISE SPECIFIED:		APVD 26SEP2013 S. BOLASH	NAME HEATSINK, EXTENDED, CXP	
0 PLC ±-	1 PLC ±0.5	PRODUCT SPEC -	SIZE A200779	DRAWING NO C-2274303
2 PLC ±0.25	3 PLC ±	APPLICATION SPEC -	RESTRICTED TO	
4 PLC ±	ANGLES ±8°	WEIGHT -	SCALE 3.000	SHEET 1 OF 1
MATERIAL SEE TABLE	FINISH SEE TABLE	CUSTOMER DRAWING		REV 2