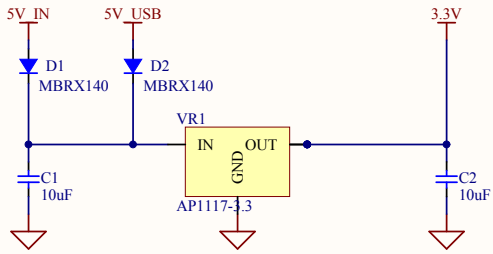
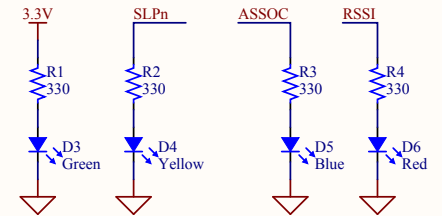


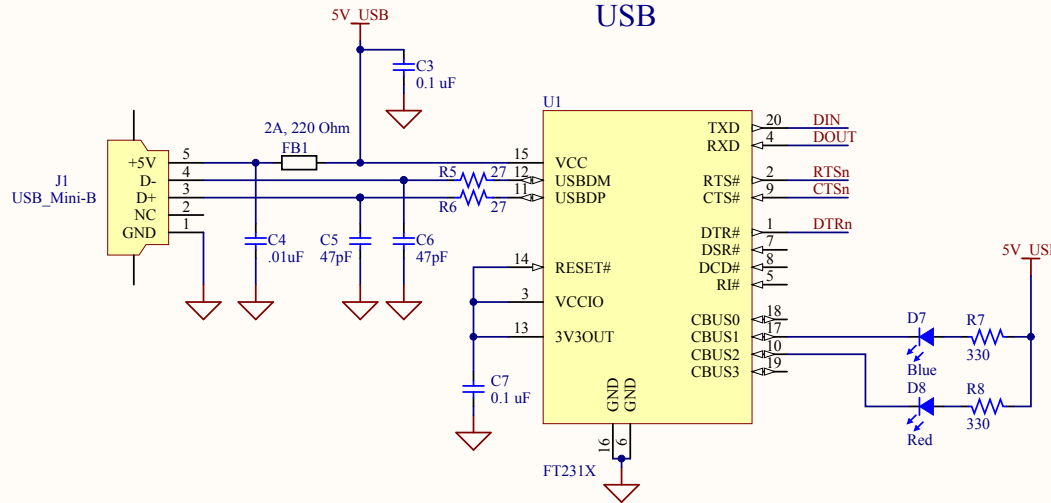
## Power Supply



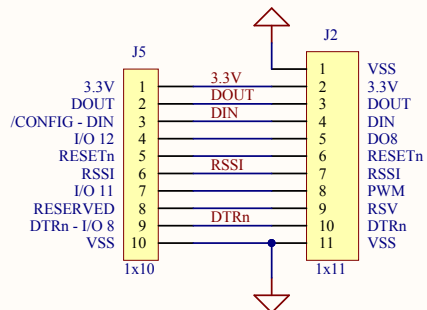
## LEDs



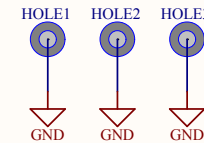
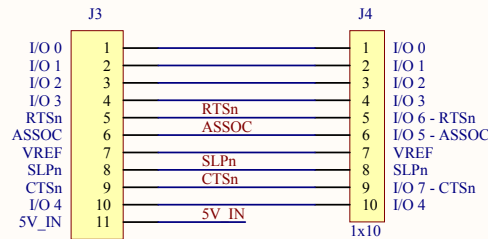
## USB



## Left Headers



## Right Headers



Title		
<b>Schematic, XBee USB ADAPTER</b>		
Size	Number	Revision
Letter	32400	REV C
Date:	9/25/2014	Sheet of
File:	L:\Products\XBEE USB Adapter C.Sch	