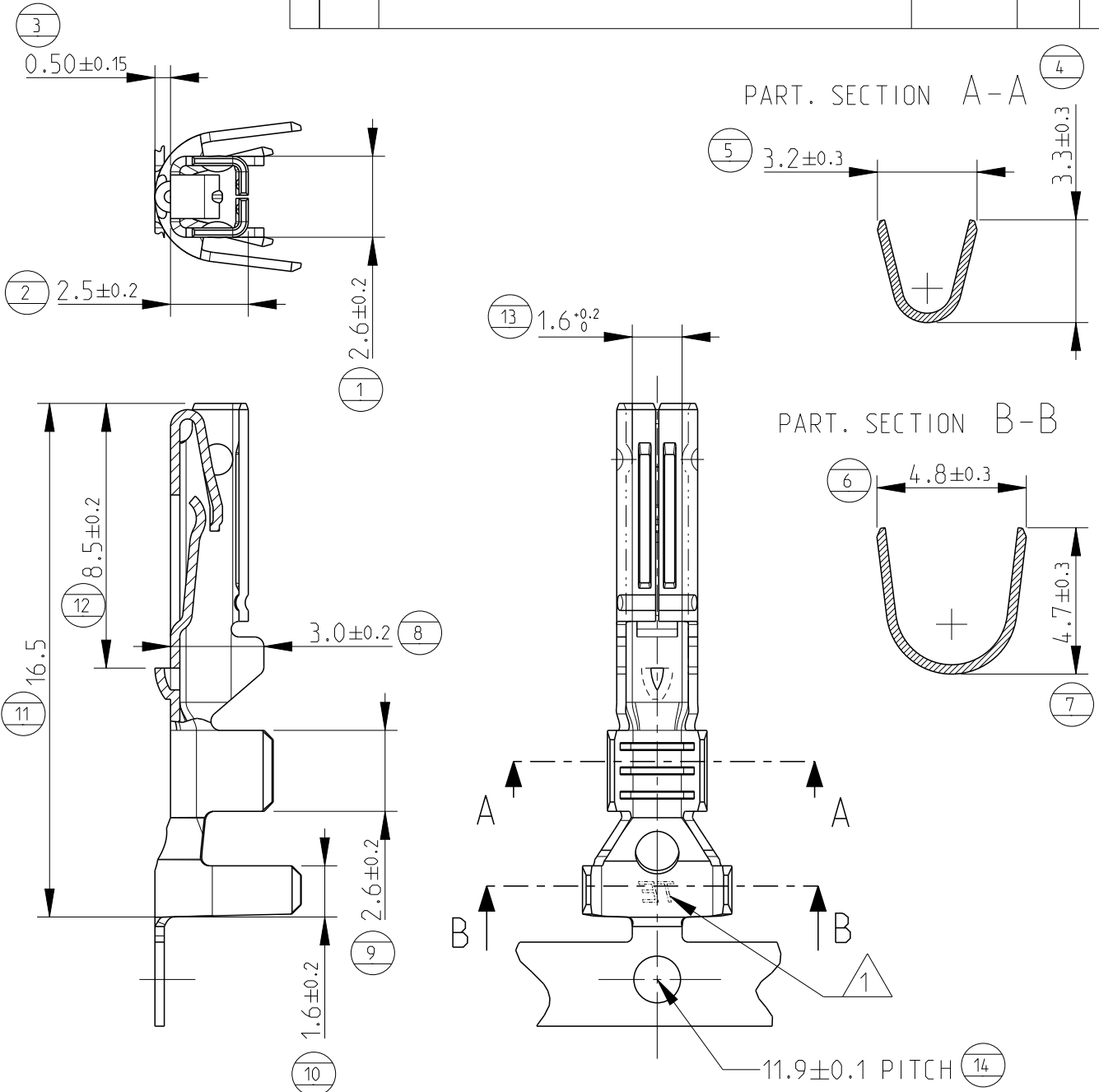


REVISIONS				
P	LTR	DESCRIPTION	DATE	DWN APVD
	D2	REVISED PER ECR-15-001967	11FEB2015	M.G. M.G.



- 1 "TE" LOGO OR, IN ALTERNATIVE, "AMP" LOGO
- 2) SUITABLE FOR SINGLE WIRE SEAL P/N 281934-...
- 3) WIRE SIZE RANGE: 0.75-1.5mm2

P/N 282110-1 AS SHOWN

20
 RELEASED FOR PUBLICATION
 ALL RIGHTS RESERVED.
 BY -
 COPYRIGHT 20

DIMENSIONS:		DWN	09Nov90	MATERIAL	PH. BRONZE	FINISH	PRE-TIN	
mm		Bassano	09Nov90	TE Connectivity				
TOLERANCES UNLESS OTHERWISE SPECIFIED:		CHK	Bertini					
0 PLC	±	APVD	-	NAME MINI MIC SRS. RECEPTACLE CONTACT				
1 PLC	±0.3	PRODUCT SPEC	108-20090					
2 PLC	±	APPLICATION SPEC	114-20045	SIZE	CAGE CODE	DRAWING NO	RESTRICTED TO	
3 PLC	±	WEIGHT	0.35gr	A 4	00779	©=282110	-	
4 PLC	±	Customer Drawing					SCALE	5:1
ANGLES	±°						Customer Drawing	