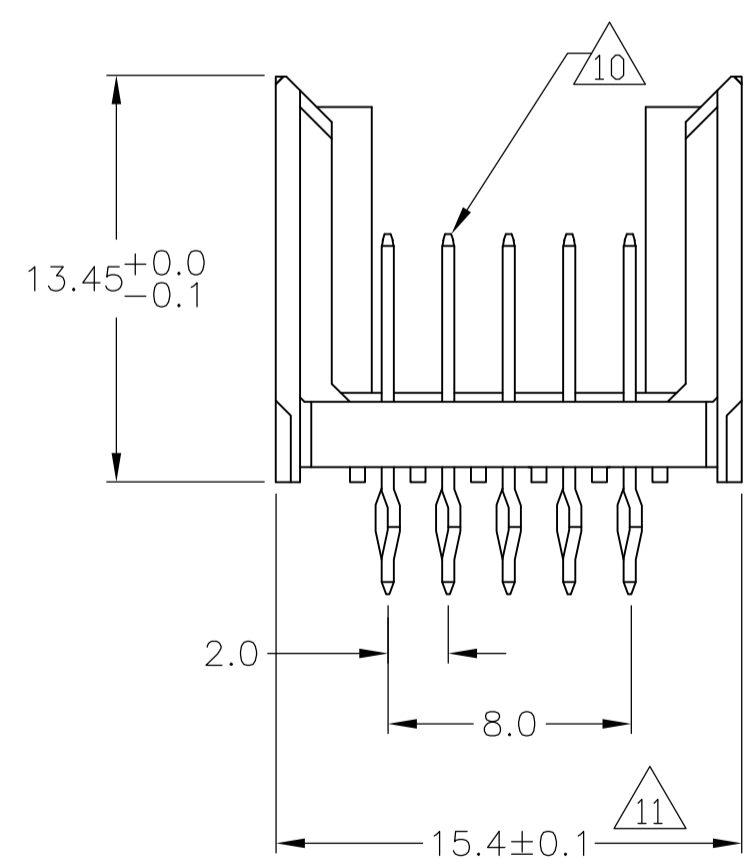
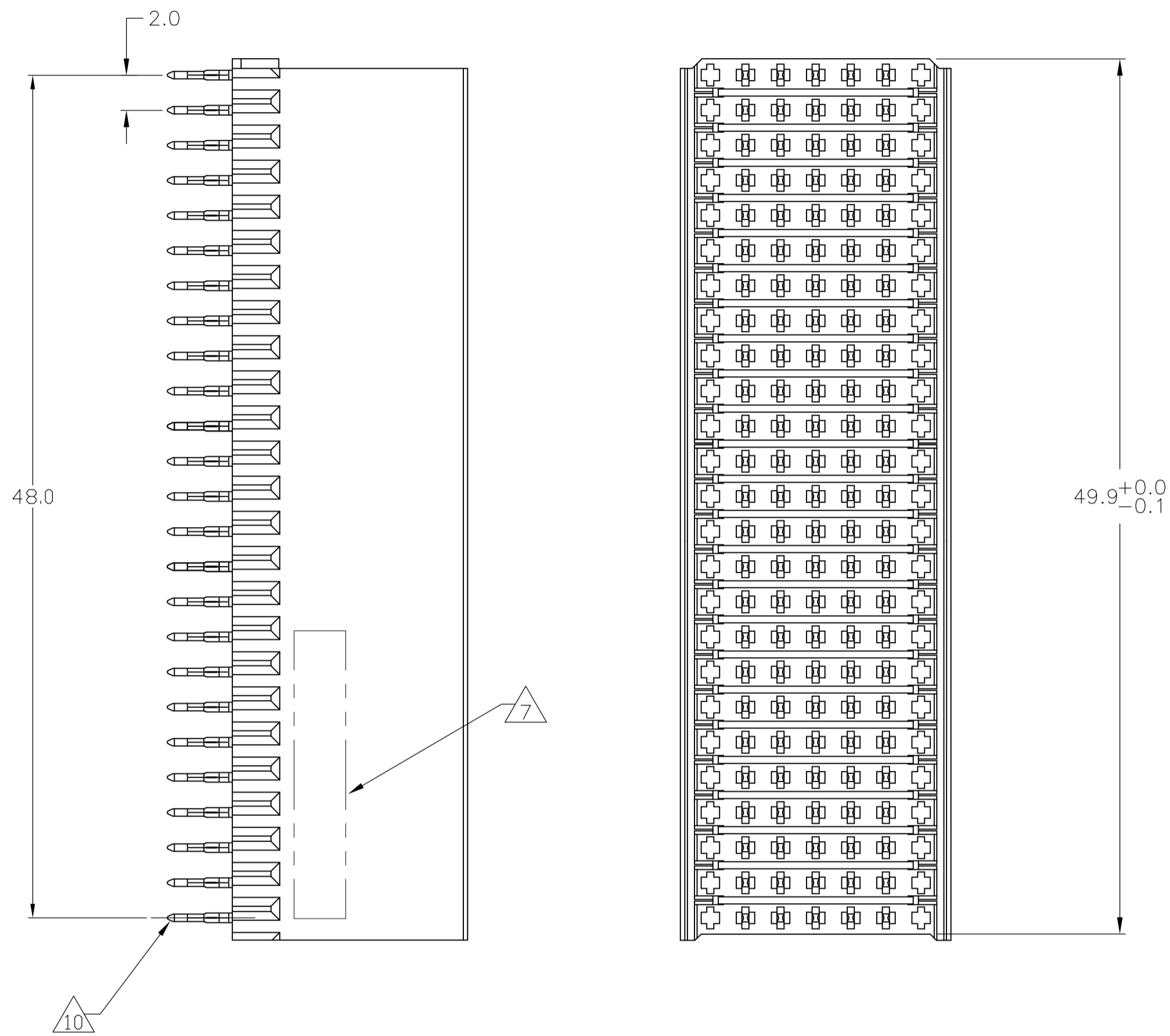
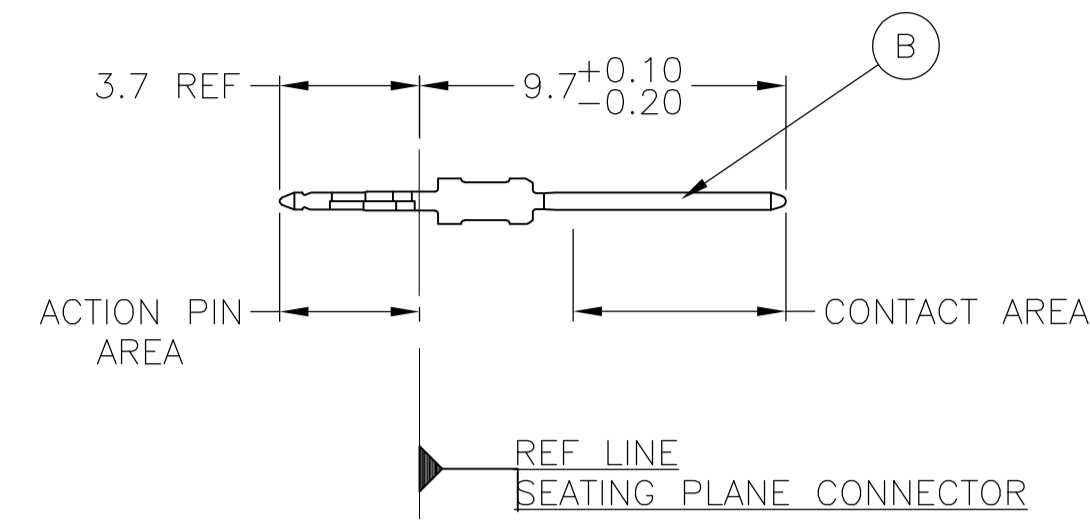


CONNECTOR ASSEMBLY EXAMPLARY LOADED



CONTACT DIMENSIONS

SCALE 5:1



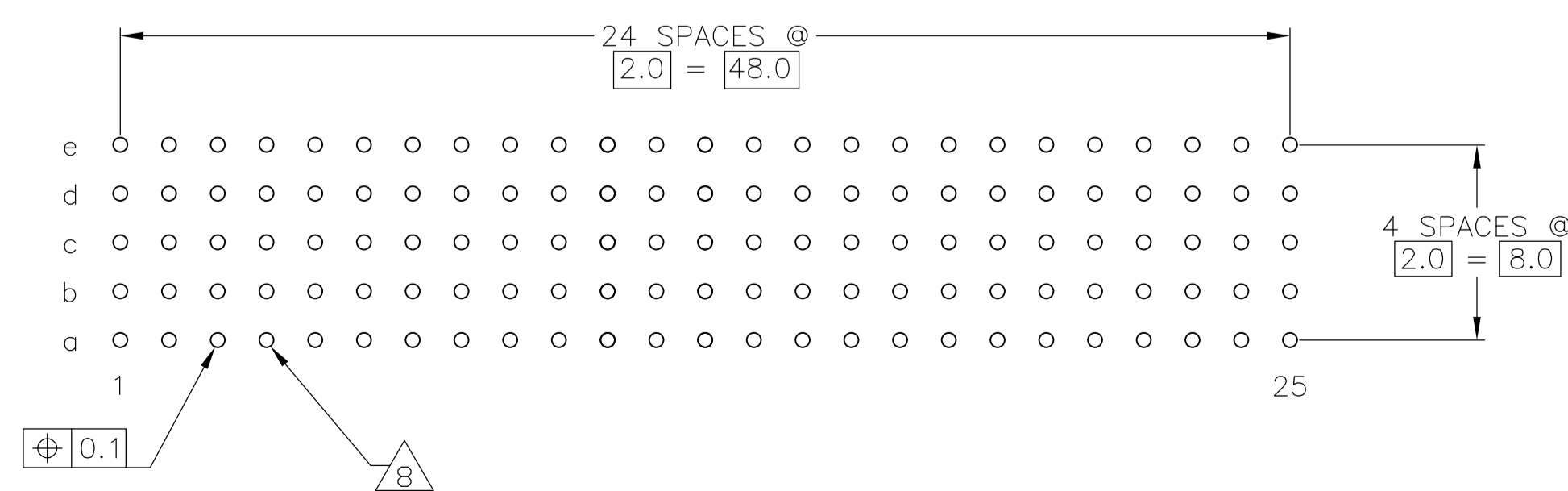
CONTACT LAYOUT

	z	a	b	c	d	e	f
1		B	B	B	B	B	
2		B	B	B	B	B	
3		B	B	B	B	B	
4		B	B	B	B	B	
5		B	B	B	B	B	
6		B	B	B	B	B	
7		B	B	B	B	B	
8		B	B	B	B	B	
9		B	B	B	B	B	
10		B	B	B	B	B	
11		B	B	B	B	B	
12		B	B	B	B	B	
13		B	B	B	B	B	
14		B	B	B	B	B	
15		B	B	B	B	B	
16		B	B	B	B	B	
17		B	B	B	B	B	
18		B	B	B	B	B	
19		B	B	B	B	B	
20		B	B	B	B	B	
21		B	B	B	B	B	
22		B	B	B	B	B	
23		B	B	B	B	B	
24		B	B	B	B	B	
25		B	B	B	B	B	

RECOMMENDED PCB-HOLE LAYOUT COMPONENT SIDE SHOWN

PLATED THRU HOLES PARAMETERS

REFERENCE APPLICATION SPECIFICATION



	2 3 13	3-100785-0
	2 6 12	1-100785-9
OBSELETE	2 5 12	100785-9
	2 4	100785-4
OBSELETE	2 3	100785-1
	FINISH	PART NUMBER

THIS DRAWING IS A CONTROLLED DOCUMENT.		DIN D. TRUEN 13FEB95	Tyco Electronics Corporation Harrisburg, Pa 17105-3608	
DIMENSIONS: mm		CIK F. KONINGSBRUGGE 13FEB95	NAME	
TOLERANCES UNLESS OTHERWISE SPECIFIED:		APVD B. MOOIJ 13FEB95	PRODUCT SPEC	
0-PLC ±		108-19082		
1-PLC ±0.1		APPLICATION SPEC		
2-PLC ±		114-19029		
3-PLC ±		SIZE CAGE CODE DRAWING NO		
4-PLC ±		RESTRICTED TO		
ANGLES ±		WEIGHT		
MATERIAL 1		A1 00779 100785		
FINISH SEE TABLE		CUSTOMER DRAWING		

THIS DRAWING IS UNPUBLISHED. RELEASED FOR PUBLICATION
 © COPYRIGHT BY TYCO ELECTRONICS CORPORATION. ALL RIGHTS RESERVED.

LOC		DIST		REVISIONS				
P	LTR	DESCRIPTION	DATE	DN	APVD			
AD	00	SEE SHEET 1	-	-	-			

- 1 MATERIAL:
CONTACT: PHOSPHOR BRONZE.
HOUSING: GLASS-FILLED POLYESTER.
- 2 GENERAL PLATING SPECIFICATION: UNDERPLATING
(ENTIRE CONTACT): 1.27µm MIN NICKEL AND ACTION
PIN: 0.5µm MIN TIN LEAD.
FOR PLATING OF MATING SURFACES SEE APPLICABLE
SPECIFICATION REFERENCE FOR EACH DASH NUMBER.
- 3 CONFORMS TO ALL TESTING ACCORDING TO IEC 61076-4-101
PERFORMANCE LEVEL 2.
- 4 CONFORMS TO ALL TESTING ACCORDING TO IEC 61076-4-101
PERFORMANCE LEVEL 1.
- 5 CONNECTOR TESTED AND QUALIFIED AGAINST TELCORDIA GR-1217-CORE QUALITY LEVEL 3,
CENTRAL OFFICE APPLICATIONS.
- 6 CONNECTOR TESTED AND QUALIFIED AGAINST TELCORDIA GR-1217-CORE QUALITY LEVEL 3,
UNCONTROLLED ENVIROMENT APPLICATIONS.
- 7 CONNECTOR MARKED WITH PART NUMBER AND DATE CODE.
ADDITIONAL CHARACTERS OR MARKINGS, AS WELL AS THE LOCATION OF THE MARKINGS,
MAY BE ADDED FOR TRACEABILITY BASED UPON MANUFACTURERS DISCRETION.
- 8 PLATED-THROUGH HOLES AT 2x2mm SQUARE GRID
PATTERN DEFINED BY CONTACT LAYOUT.
- 9 FOR ACTUAL PIN LOADING SEE "CONTACT LAYOUT".
- 10 FOR ACTUAL PIN DIMENSIONS SEE "CONTACT DIMENSIONS".
- 11 TO BE MEASURED AT BOTTOM OF SHROUD.
- 12 CONNECTOR LUBRICATED WITH BELCORE APPROVED LUBRICANT,
TECHNICAL REFERENCE: TR-NWT-001217 ISSUE 1, SEP 1992.
- 13 0.76µm MIN GOLD PLATING AT MATING SURFACES.

THIS DRAWING IS A CONTROLLED DOCUMENT.		DIN D. TRUEN 13FEB95		Tyco Electronics Corporation Harrisburg, Pa 17105-3608	
DIMENSIONS: mm		TOLERANCES UNLESS OTHERWISE SPECIFIED: 0-PLC ± 1-PLC ± 0.1 2-PLC ± 3-PLC ± 4-PLC ± ANGLES ±		APVD F. KONINGSBRUGGE 13FEB95	
		PRODUCT SPEC 108-19082		NAME MALE ASSEMBLY, Z-PACK 2mm HM, TYPE B	
MATERIAL SEE SHEET 1		FINISH SEE SHEET 1		APPLICATION SPEC 114-19029	
		WEIGHT -		SIZE A1	
		CUSTOMER DRAWING		SCALE 4:1 SHEET 2 OF 2 REV N	