

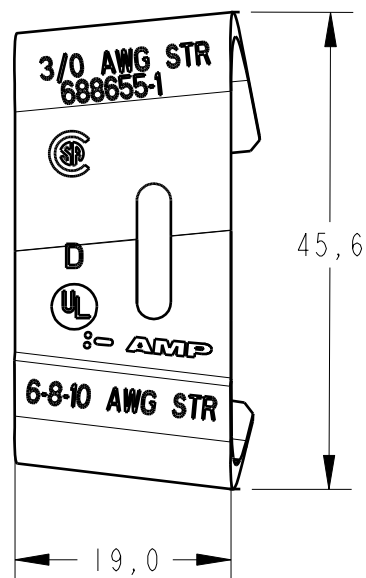
THIS DRAWING IS UNPUBLISHED.

RELEASED FOR PUBLICATION

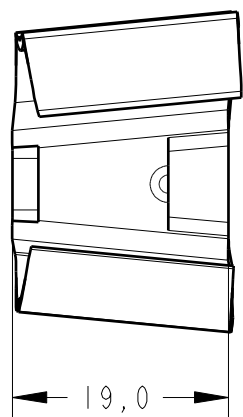
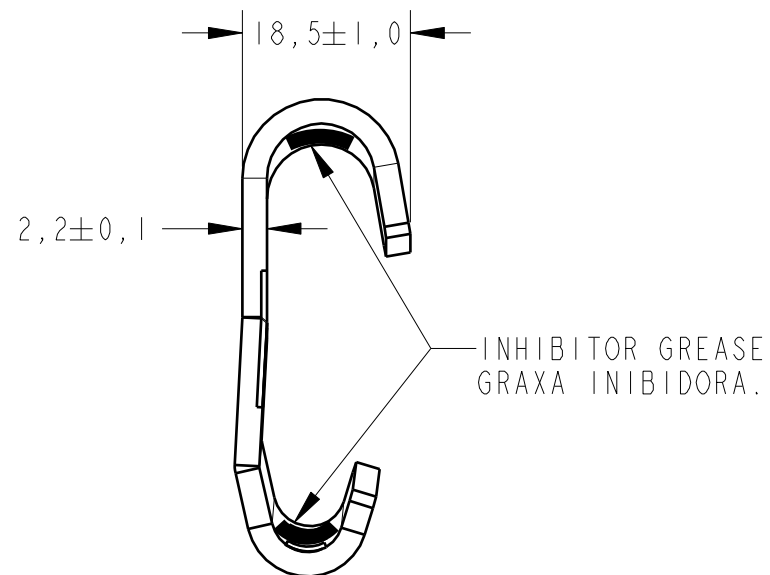
20

© COPYRIGHT 20 BY TYCO ELECTRONICS CORPORATION. ALL RIGHTS RESERVED.

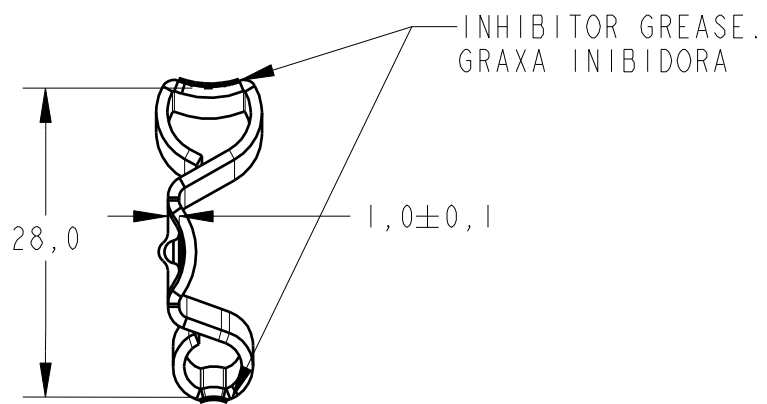
| LOC | DIST | REVISIONS | | | | | |
|-----|------|-----------|-----|--------------------------|-----------|-----|------|
| | | P | LTR | DESCRIPTION | DATE | DWN | APVD |
| AP | - | | F1 | REVISED BY ECR-05-010312 | 28DEC2005 | GO | WB |
| | | | F2 | ECO-09-003259 | 11MAR2009 | GO | WB |



"C" MEMBER



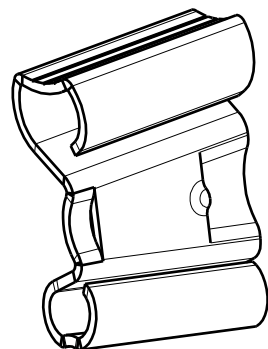
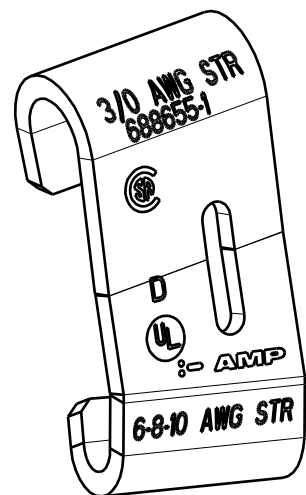
"WEDGE" MEMBER



I - SUPPLIED IN INDIVIDUAL PLASTIC PACKAGING.

I - FORNECIDO EM EMBALAGEM PLÁSTICA INDIVIDUAL.

| | | | | | | | | |
|---|-------|-----------------------------|------|--------------------------------|------|-------------------------|-------------------------------|-------------|
| 17,00 | 14,75 | 12,74 | 9,50 | 5,10 | 1,74 | ESTANHADO TIN PLATED | LIGA DE COBRE COPPER ALLOY | 688655-1 |
| MAX. | MIN. | MAX. | MIN. | MAX. | MIN. | FINISH | MATERIAL | PART NUMBER |
| SOMA DOS DIÂMETROS SUM | | CABO PRINCIPAL TOP GROVE | | CABO DERIVAÇÃO BOTTOM GROVE | | | | |
| DIÂMETRO LIMITE DOS CABOS WIRE DIAMETER LIMITE | | | | | | | | |



| | | | |
|---|--|--|--|
| <small>THIS DRAWING IS A CONTROLLED DOCUMENT FOR TYCO ELECTRONICS CORPORATION IT IS SUBJECT TO CHANGE AND THE CONTROLLING ENGINEERING ORGANIZATION SHOULD BE CONTACTED FOR THE LATEST REVISION.</small> | | DWN 28DEC2005 G. OLIVEIRA CHK 28DEC2005 W. BELLINI JR. APVD 28DEC2005 RUY P. LEMF | Tyco Electronics TYCO ELECTRONICS do Brasil LTDA. Sao Paulo, Brasil |
| DIMENSIONS: mm | TOLERANCES UNLESS OTHERWISE SPECIFIED: 0 PLC ±- 1 PLC ±1,5 2 PLC ±- 3 PLC ±- 4 PLC ±- ANGLES ±- | PRODUCT SPEC 108-37019 APPLICATION SPEC 411-37014 | NAME U.D. CONNECTOR ASS'Y, TYPE "D", REINFORCED. |
| MATERIAL SEE TABLE | FINISH SEE TABLE | WEIGHT - | RESTRICTED TO - |
| CUSTOMER DRAWING | | SCALE - | SHEET 1 OF 1 REV F2 |