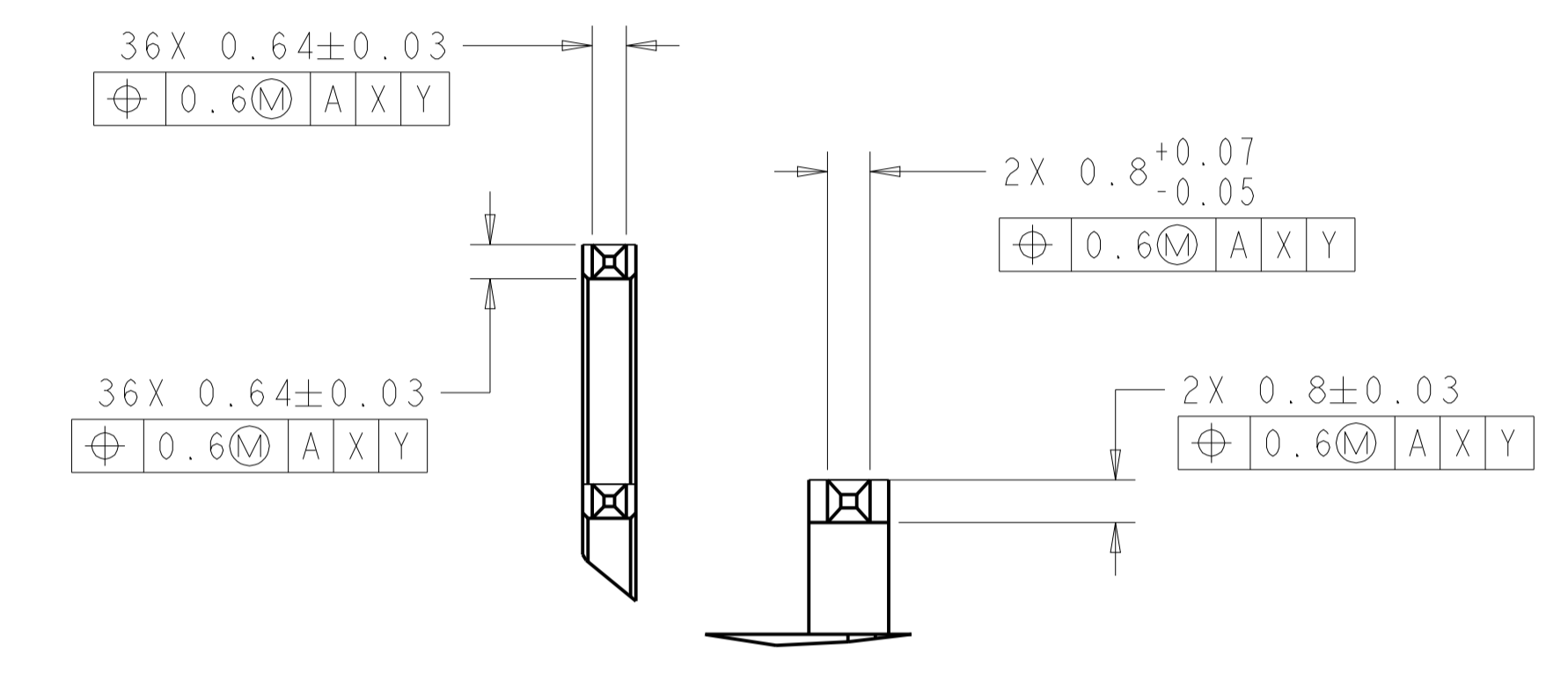
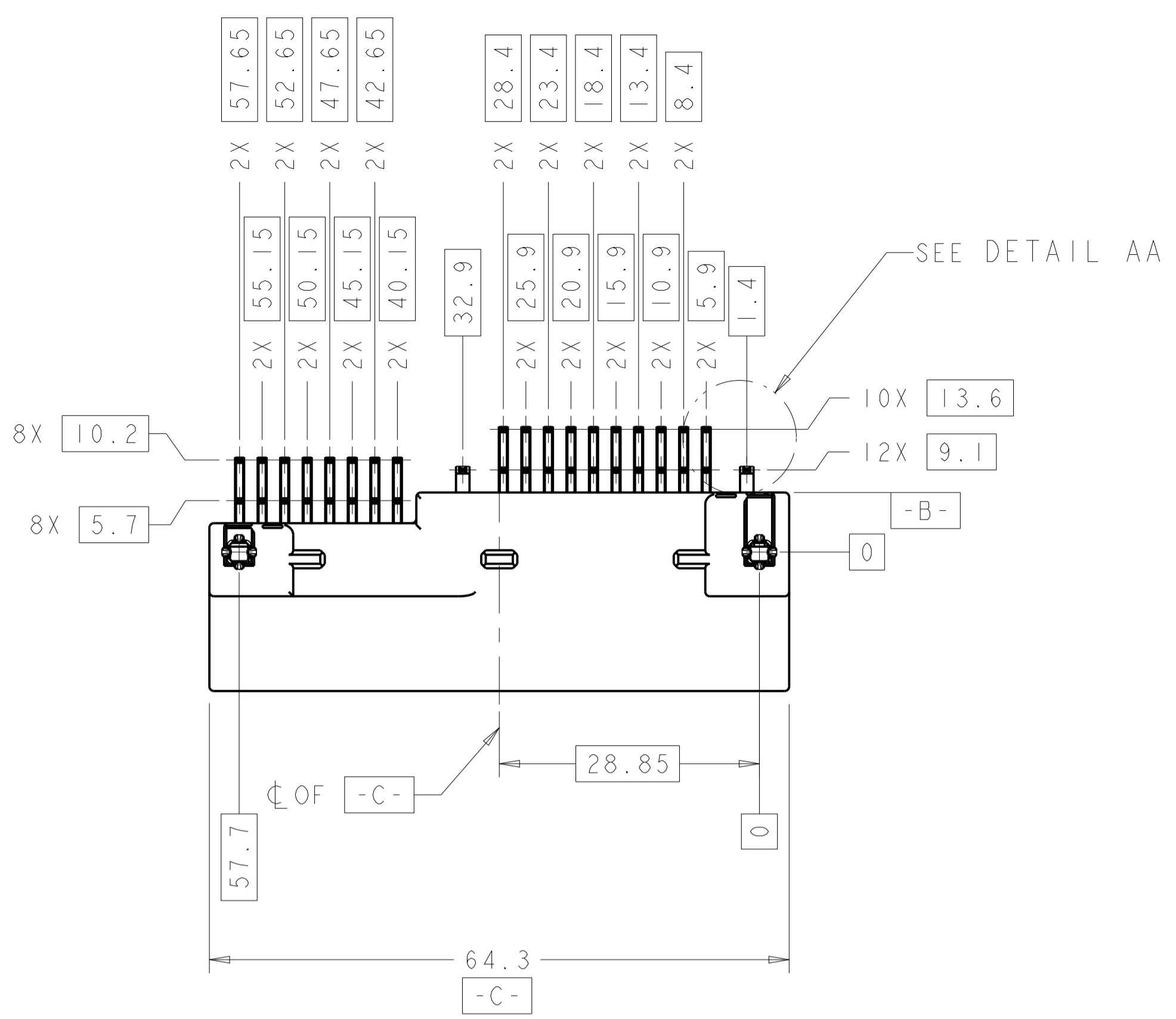
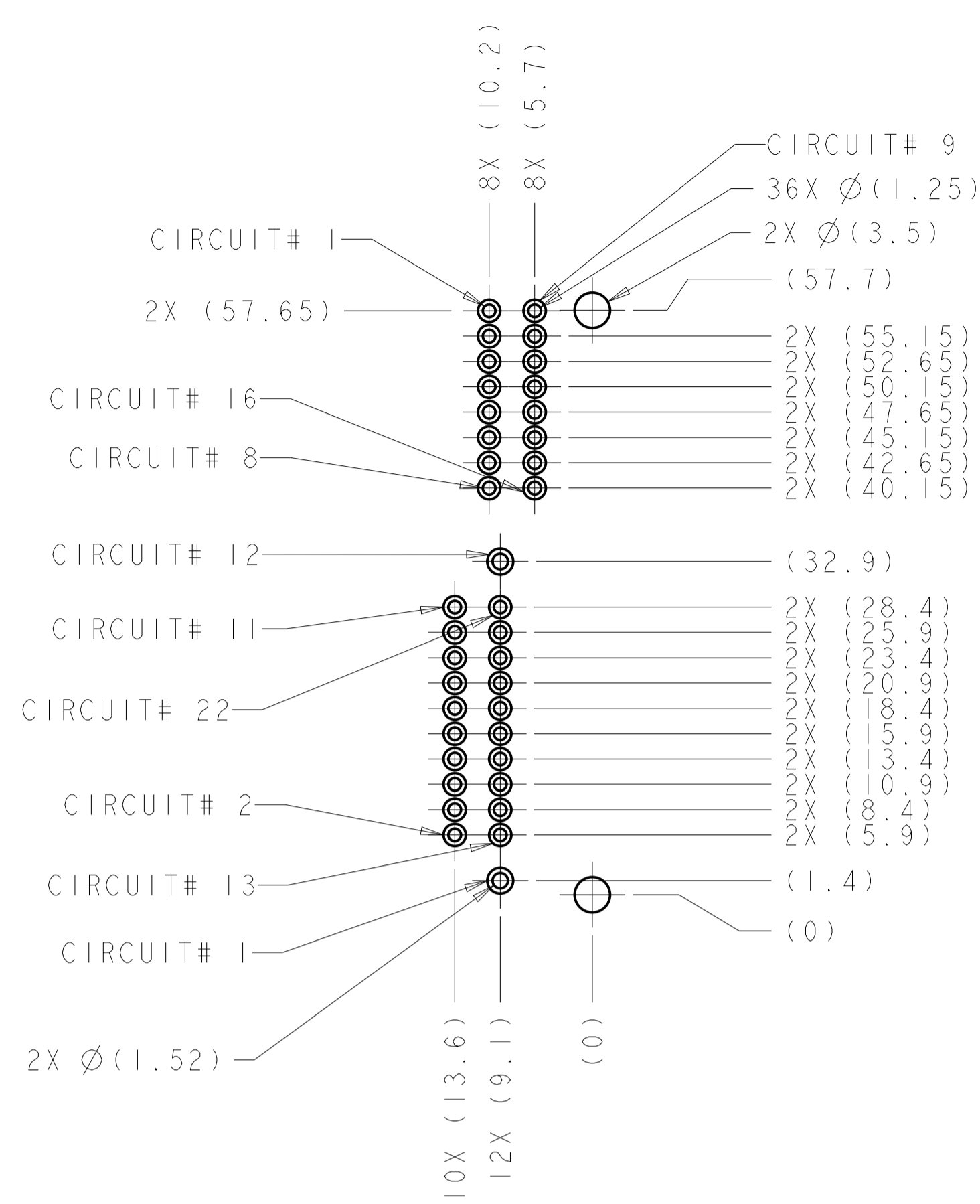
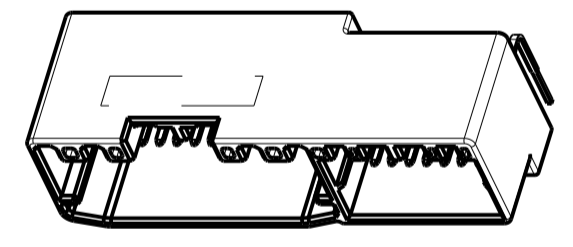


LOC	DIST	REVISIONS			
		REV	DATE	BY	CHK
FX	00	A2	17JUN2010	YSS	MB
		B	06FEB2014	DD	SA

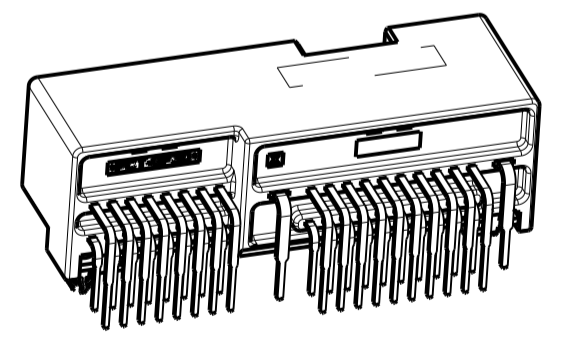
△ MARK DATE CODE IN APPROXIMATE LOCATION.



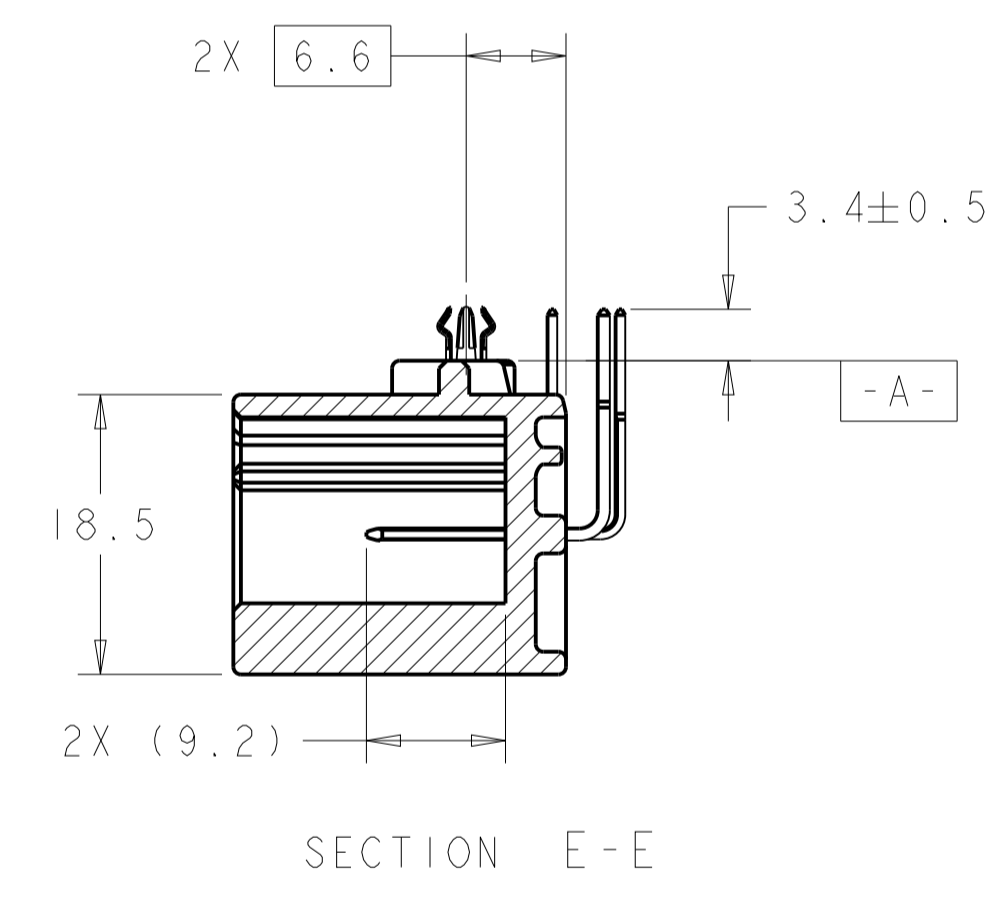
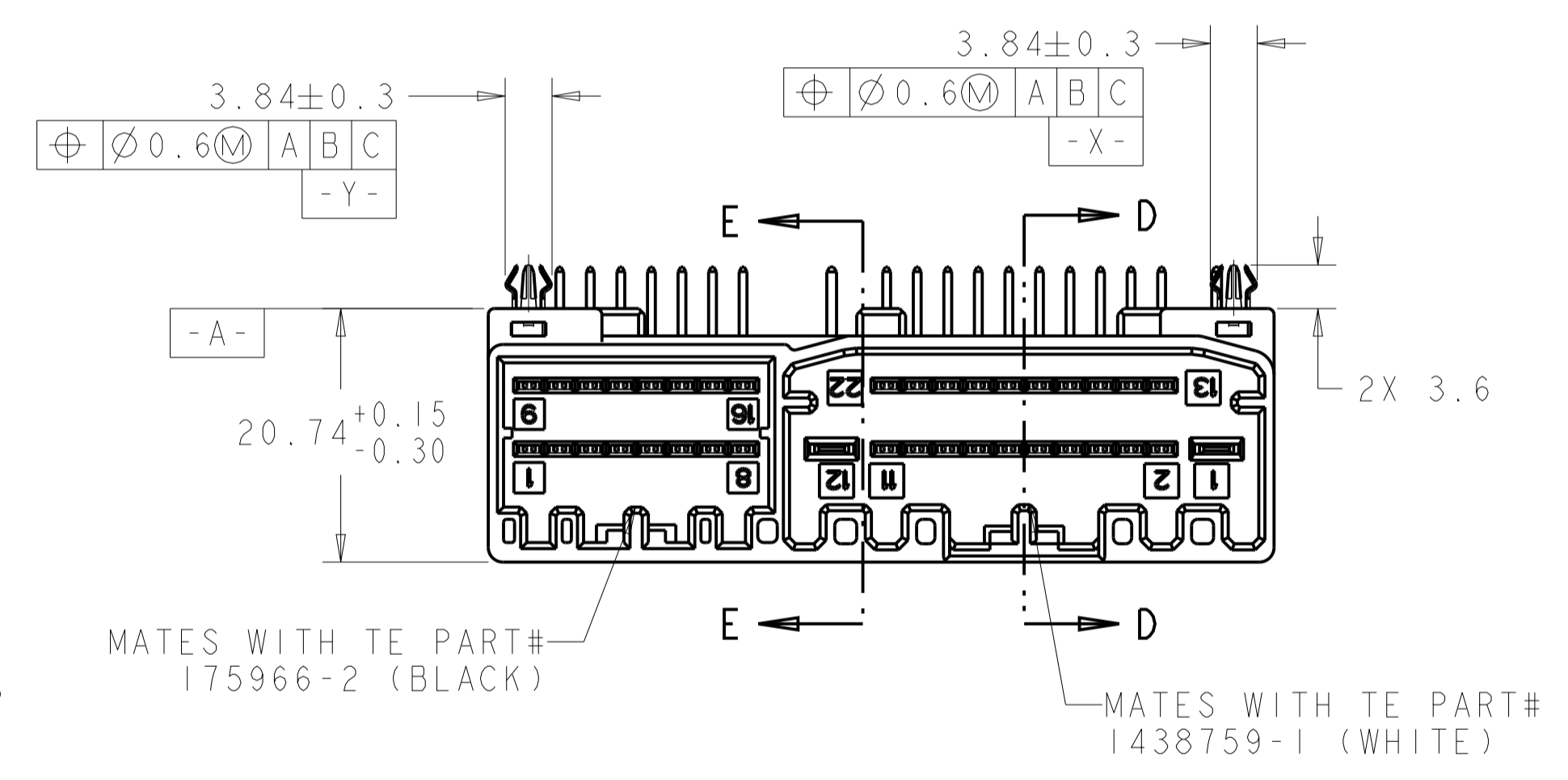
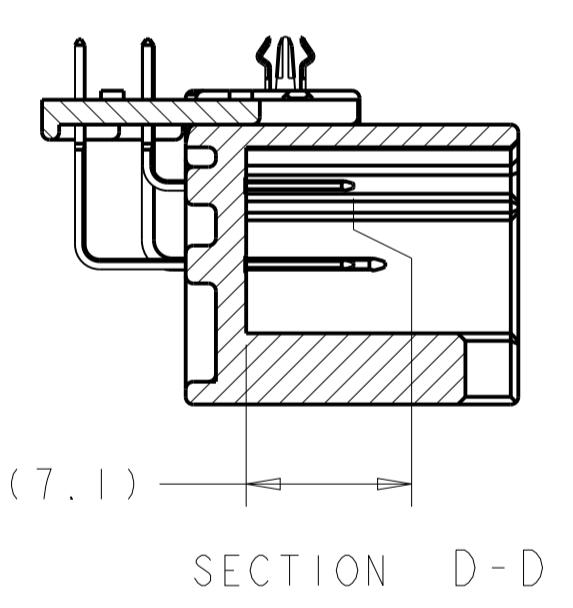
RECOMMENDED PCB LAYOUT CONNECTOR SIDE (RECOMMENDED BOARD THICKNESS 1.57mm)



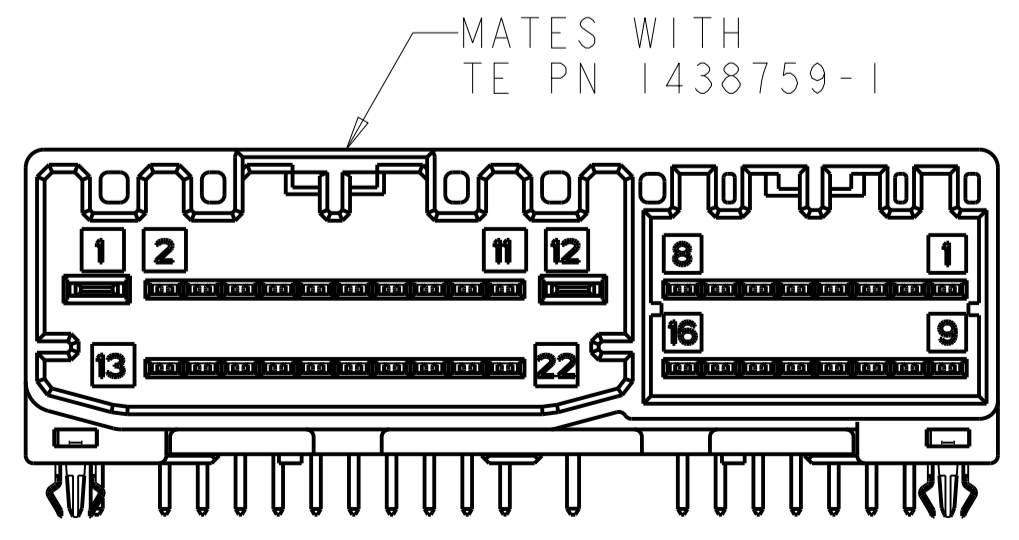
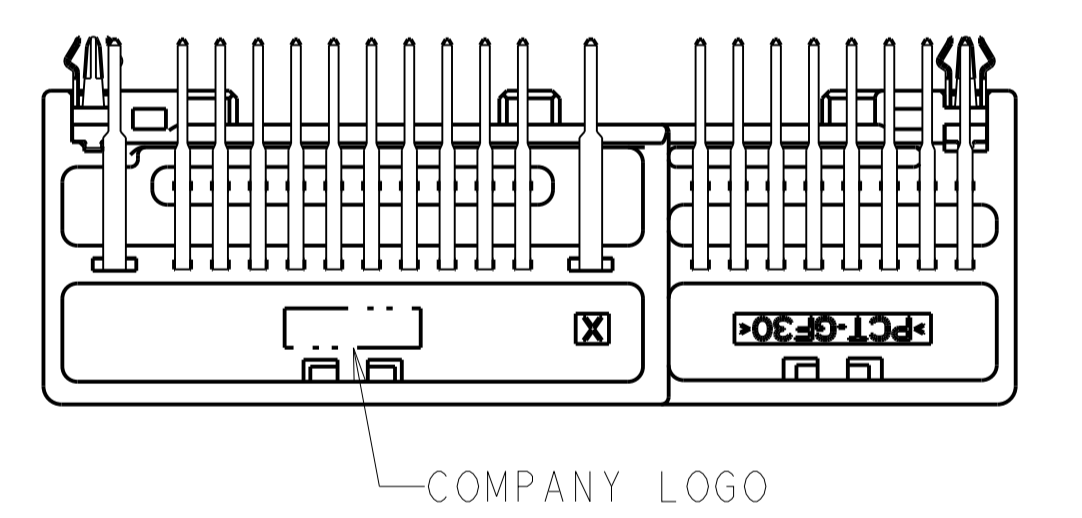
9-1438789-2 REF SCALE 1:1



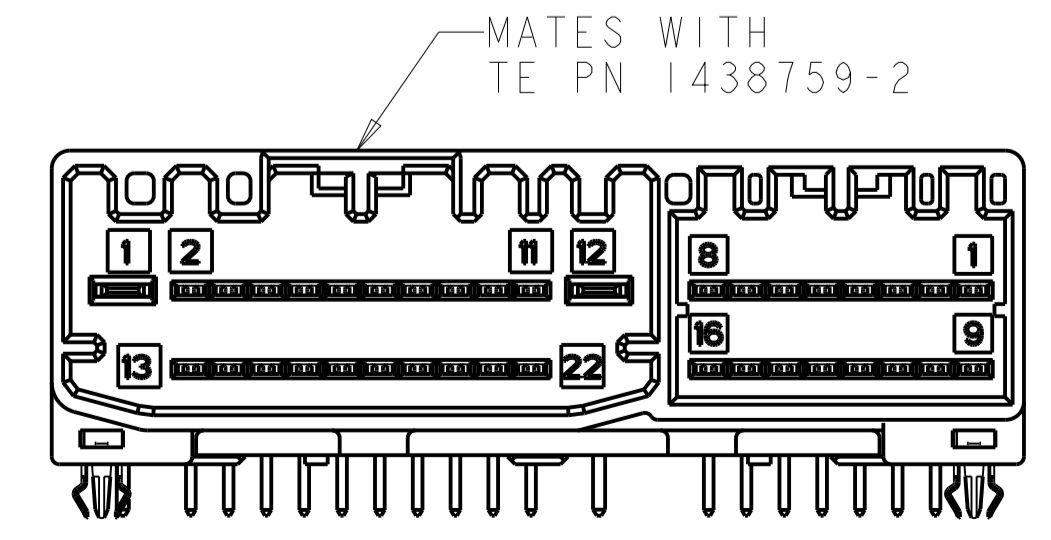
9-1438789-2 REF SCALE 1:1



DETAIL AA SCALE 8:1



9-1438789-2



9-1438789-3

MATERIAL	FINISH	BOARDLOCK	CONTACT	HOUSING	PART NUMBER	
BRASS	PRE-TIN	BRASS	POST-TIN	PCT	BLACK	9-1438789-3
BRASS	PRE-TIN	BRASS	POST-TIN	PCT	BLACK	9-1438789-2

THIS DRAWING IS A CONTROLLED DOCUMENT.		DWN: 08SEP2004 CHK: G. MARTIN APVD: T. McHAFFEE		NAME: 38 POSITION CAP ASSEMBLY, HYBRID MULTILOCK, 22P .040/2.8 HYBRID + 16P .040	
DIMENSIONS: mm		TOLERANCES UNLESS OTHERWISE SPECIFIED:		SIZE: 114-13158	
0 PLC ±0.3		1 PLC ±0.3		WEIGHT: -	
2 PLC ±0.1		3 PLC ±0.1		ANGLES: ±0.2	
4 PLC ±0.1		5 PLC ±0.1		Customer Drawing	
MATERIAL: -		FINISH: -		SCALE: 2:1 SHEET 1 OF 1 REV C	