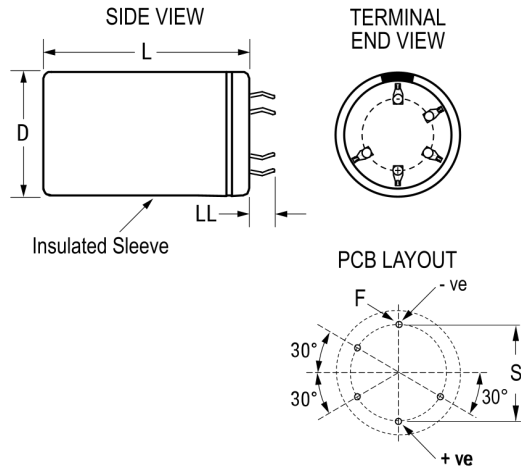


## ALC70G562FP250

Aliases (A546JW562M250G)

ALC70, Aluminum Electrolytic, 5,600 uF, 20%, 250 VDC, -40/+85°C



Click [here](#) for the 3D model.

Dimensions	
D	45mm +1mm
L	105mm +/-2mm
S	25mm +/-0.1mm
LL	6.3mm +/-1mm
F	2mm +/-0.1mm

Packaging Specifications	
Sleaving	Yes
Packaging	Bulk, Bag

General Information	
Series	ALC70
Dielectric	Aluminum Electrolytic
Description	Snap-In, Aluminum Electrolytic
RoHS	Yes
Lead	5 Pin
AEC-Q200	No
Halogen Free	Yes
Component Weight	225 g
Notes	Dimensions D And L Include Sleaving.
Shelf Life	156 Weeks

Specifications	
Capacitance	5,600 uF
Capacitance Tolerance	20%
Voltage DC	250 VDC, 288 VDC (Surge)
Temperature Range	-40/+85°C
Rated Temperature	85°C
Life	18000 Hrs (Rated Voltage and Ripple Current at 85C), 29000 Hrs (Rated Voltage at 85C)
Resistance	36.94 mOhms (100Hz 20C), 22.88 mOhms (10kHz 20C)
Ripple Current	9.46 Amps (100Hz 85C), 15.9 Amps (10kHz 85C)
Leakage Current	6000 uA (5min 20°C)