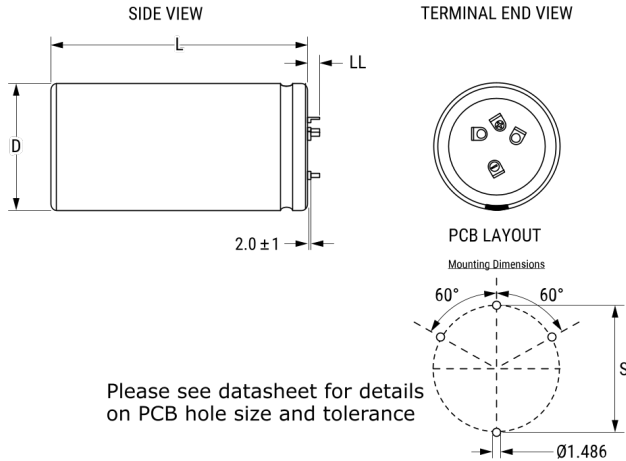


## ALF80C331DF500

Aliases (A557EH331M500C)

ALF80, Aluminum Electrolytic, 330 uF, 20%, 500 VDC, -40/+105°C



Click [here](#) for the 3D model.

### Dimensions

D	35mm +1mm
L	50mm +/-2mm
S	22.5mm +/-0.1mm
LL	5.5mm +/-1mm
F	1.486mm +/-0.076mm

### Packaging Specifications

Sleeving	Yes
Packaging	Bulk

### General Information

Series	ALF80
Dielectric	Aluminum Electrolytic
Style	Press-Fit
Description	Press-Fit, Aluminum Electrolytic
RoHS	Yes
Lead	4 Pin Press-Fit
AEC-Q200	No
Component Weight	80 g
Notes	Dimensions D And L Include Sleeving.
Shelf Life	156 Weeks

### Specifications

Capacitance	330 uF
Capacitance Tolerance	20%
Voltage DC	500 VDC, 550 VDC (Surge)
Temperature Range	-40/+105°C
Rated Temperature	105°C
Life	8000 Hrs (Rated Voltage And Ripple Current At 105C), 13000 Hrs (Rated Voltage At 105C)
Resistance	516.9 mOhms (100Hz 20C), 357.9 mOhms (10kHz 20C)
Ripple Current	2.391 Amps (100Hz 105C), 6.07 Amps (10kHz 105C)
Leakage Current	495 uA (5min 20°C)