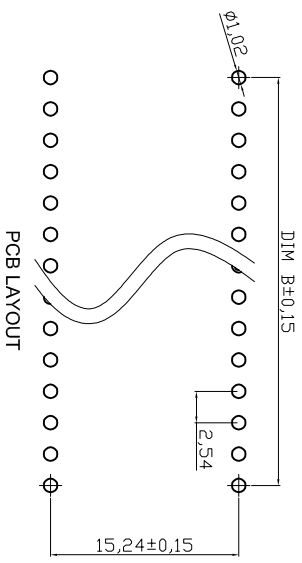
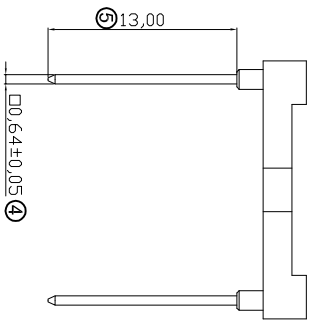
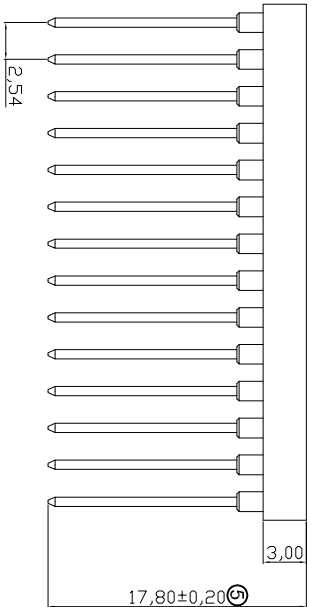


Contact	DIM A	DIM B
24	30.48	27.94
28	35.56	33.02



- NOTES:**
- MATERIAL**
- 1.Pin(outer sleeve): Brass, machined CuZn38Pb2
  - 2.Clip(contact 4 finger): Beryllium copper, heat treated
  - 3.Plating(outer sleeve): 2um/80u"nickel, 5um/200u"Tin
  - 4.Plating(contact): 2um/80u"nickel, Gold flash
  - 5.Insulator Material: Glass filled PBT, UL94V-0 Black
- ELECTRICAL**
- 1.Current Rating: 3Amps/contact max.
  - 2.Contact Resistance: 4mΩ/contact max.
  - 3.Insulation Resistance: ≥1000MΩ at 500VAC
  - 4.Operating Voltage: 100 VRMS/150VDC
- MECHANICAL**
- 1.Average Insertion force with steel pin of  $\phi 0.43\text{mm}/0.017"$ ; <250g
  - 2.Average Withdrawal force with steel pin of  $\phi 0.43\text{mm}/0.017"$ ; >90g min.
  - 3.Mechanical life cycle: 200 min.
  - 4.Operation Temperature: -40°C to +105°C
  - 5.Soldering temperature: +220°C, 10s max.
- Packing: Tube

**RoHS compliant**  
Unit: mm

Scale	Free						
<b>TOLERANCE</b>							
X.	±0.50	⑤	Update to new drawing	28.10.2016	Amy	Drawn	23.07.2009
X.X	±0.30	④	Update the pin size	30.10.2014	Amy	Approved	28.10.2016
X.XX	±0.20	③	Change to round pin 0.7mm	01.09.2011	Lucas		
X.XXX	±0.10	②	Modify notes	17.12.2009	Dean		
DIM	TOL	①	Drawn	23.07.2009	Dean		
Angle	±5°						
Angle	TOL		Modification				

Date	Name	Customer-No.
23.07.2009	Dean	
28.10.2016	Amy	

ASSMANN WSW-No. AR 24-HZW/TTN  
AR 28-HZW/TTN

Drawing-No. ASS 3579 CO rev05

Replace Sheet



1	2	3	4	5	6	7	A
1	2	3	4	5	6	7	A
H	G	F	E	D	C	B	A