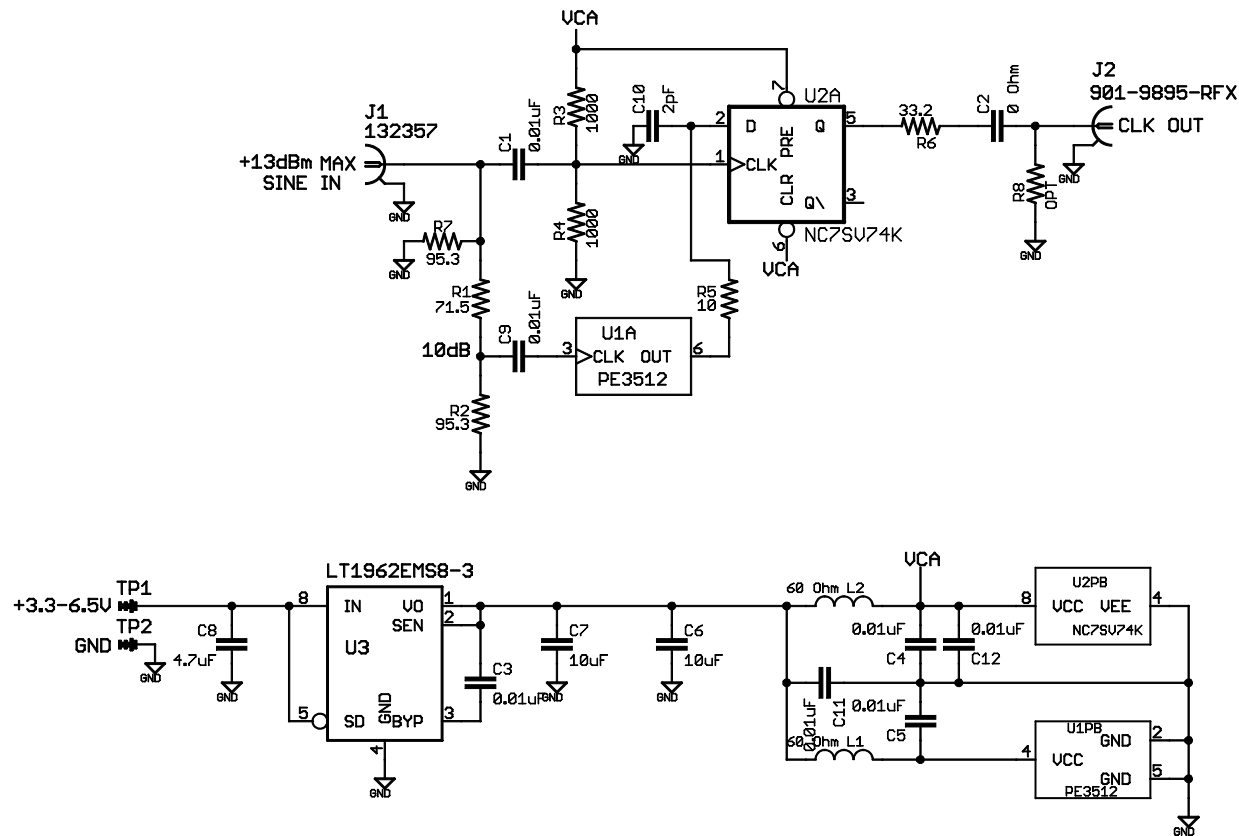



### REVISION HISTORY

ECO	REV	DESCRIPTION	DATE	APPROVED



<b>CUSTOMER NOTICE</b> LINEAR TECHNOLOGY HAS MADE A BEST EFFORT TO DESIGN A CIRCUIT THAT MEETS CUSTOMER-SUPPLIED SPECIFICATIONS; HOWEVER, IT REMAINS THE CUSTOMERS RESPONSIBILITY TO VERIFY PROPER AND RELIABLE OPERATION IN THE ACTUAL APPLICATION. COMPONENT SUBSTITUTION AND PRINTED CIRCUIT BOARD LAYOUT MAY SIGNIFICANTLY AFFECT CIRCUIT PERFORMANCE OR RELIABILITY. CONTACT LINEAR TECHNOLOGY APPLICATIONS ENGINEERING FOR ASSISTANCE THIS CIRCUIT IS PROPRIETARY TO LINEAR TECHNOLOGY AND SUPPLIED FOR USE WITH LINEAR TECHNOLOGY PARTS	CONTRACT NO.	 1630 McCarthy Blvd. Milpitas, CA 95035 Phone: (408) 432-1900 Fax: (408) 434-0507 LTC Confidential-For Customer Use Only		
	APPROVALS	TITLE: SCHEMATIC		
	DRAWN CHECKED APPROVED ENGINEER DESIGNER	CLOCK DIVIDER		REV: A2
	FILENAME: 1875a2	SIZE: A	DWG NO.: DC1075	DATE: 8/18/2006 01:51:42p
		SHEET 1 OF 1		