

THIS DRAWING IS UNPUBLISHED.

RELEASED FOR PUBLICATION

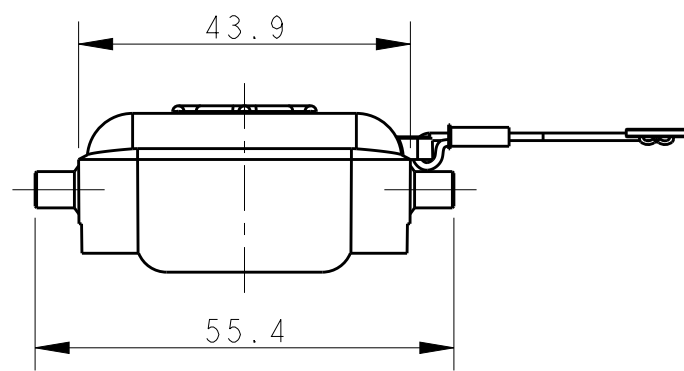
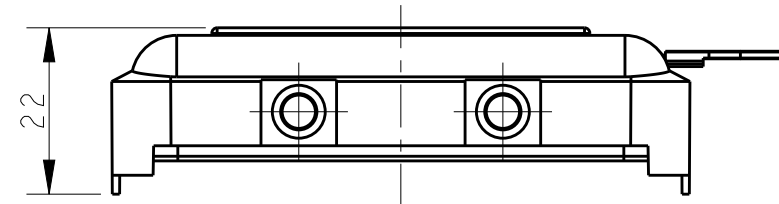
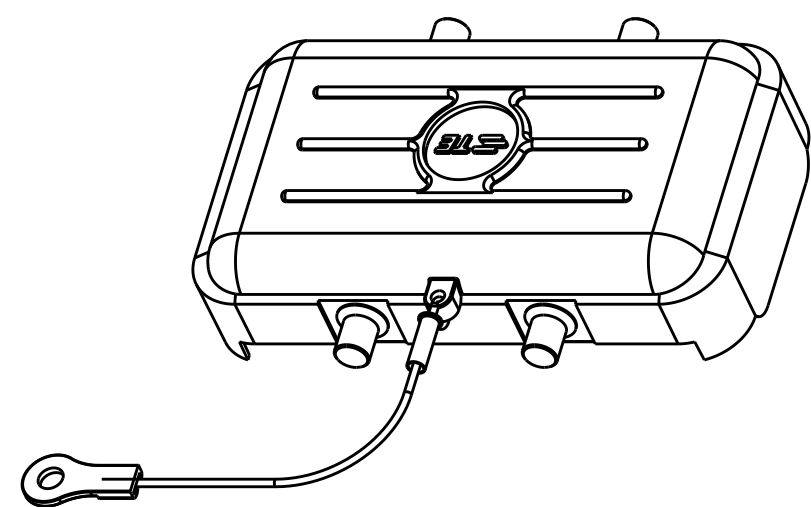
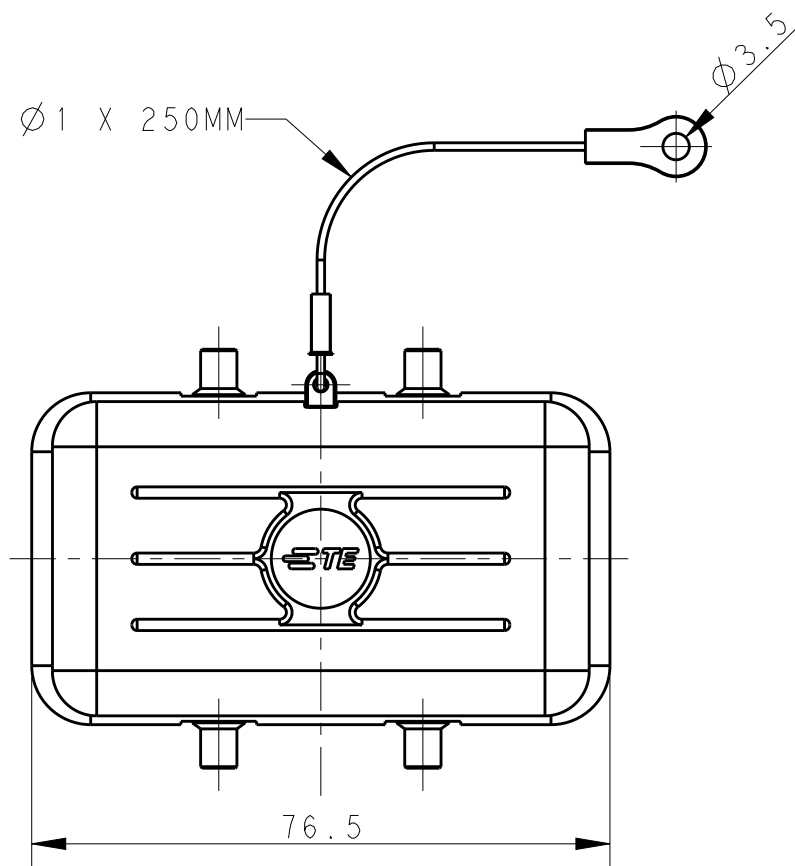
20

© COPYRIGHT 20 BY -

ALL RIGHTS RESERVED.

REVISIONS

P	LTR	DESCRIPTION	DATE	DWN	APVD
	A	INITIAL	08JUN2015	DW	CW



NOTES:

- 1. TECHNICAL CHARACTERISTICS:  
COVER MATERIAL: PC  
OPERATION TEMPERATURE: -40-+125°C

注释:

- 1. 技术参数:  
保护盖材料: PC  
工作温度: -40-+125°C

THIS DRAWING IS A CONTROLLED DOCUMENT.

DIMENSIONS:	TOLERANCES UNLESS OTHERWISE SPECIFIED:
mm	
	0 PLC ±-
	1 PLC ±-
	2 PLC ±-
	3 PLC ±-
	4 PLC ±-
	ANGLES ±-
MATERIAL	FINISH
-	-
-	-

DWN	08JUN2015
David Wang	
CHK	08JUN2015
Chris Wang	
APVD	08JUN2015
Xiang Xu	
PRODUCT SPEC	-
APPLICATION SPEC	-
WEIGHT	-
Customer Drawing	



NAME			
H10B-KDB			
H10B HOUSING PLASTIC PROTECTION COVER			
SIZE	CAGE CODE	DRAWING NO	RESTRICTED TO
A3	-	C-T1010102100000	-
SCALE		SHEET	REV
1:1		1 OF 1	A