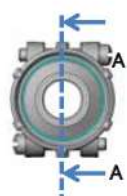


Notice: JL04 Series Component Material Change

Please note that the material of the washer component in the JL04 Series has changed per below:

Component	Current Material	New Material (as of February 2016)
Washer	PVC (Gray)	PP (Translucent)

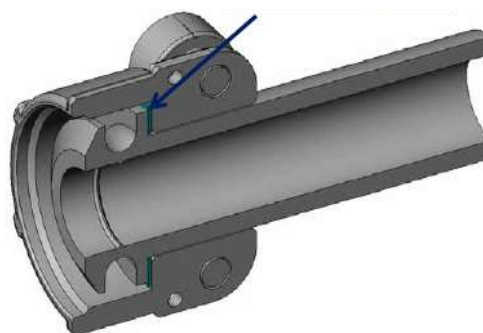
****NO changes to production site, manufacturing method, connector performance or standard specified JACS****



JL04 Cable Clamp



Washer (Gray → Translucent)



Cross section A-A

No.	Series	Part no.	SJ drawing
1	JL04	JL04-18CK(07)-CR-R	SJ105454
2		JL04-18CK(07)-R	SJ105398
3		JL04-18CK(13)-EPDM-R	SJ105466
4		JL04-2022CK(14)-EPDM-R	SJ105466
5		JL04-2022CKE(12)-R	SJ105440
6		JL04-2428CK(11)-CR-R	SJ105454
7		JL04-2428CK(11)-R	SJ105398
8		JL04-2428CK(14)-CR-R	SJ105454
9		JL04-2428CK(14)-R	SJ105398
10		JL04-2428CK(20)-CR-R	SJ105454
11		JL04-2428CK(20)-EPDM-R	SJ105466
12		JL04-2428CK(20)-R	SJ105398
13		JL04-32CK(24)-EPDM-R	SJ105466

For any questions regarding this matter, please contact your JAE account manager.
Thank you for your cooperation.